

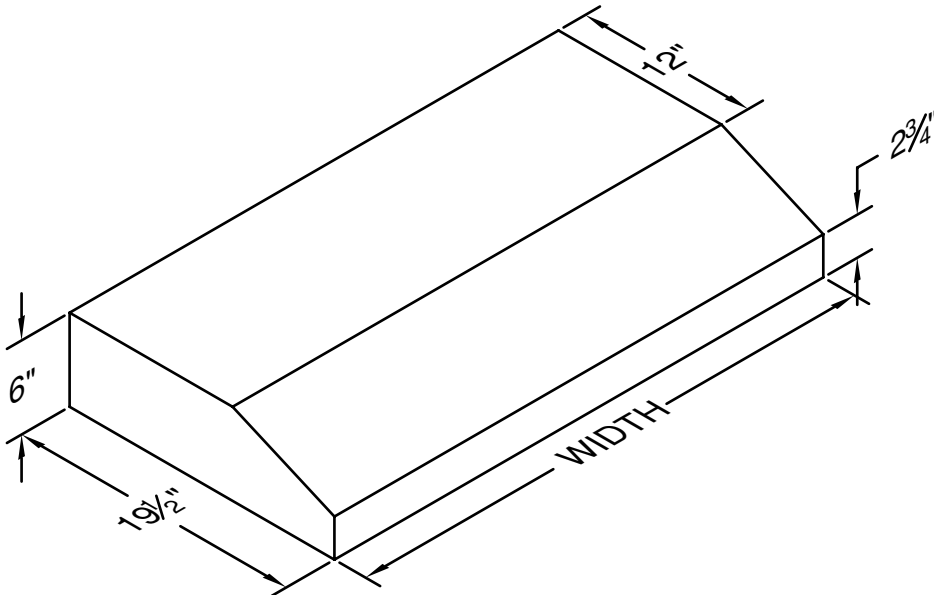
Vent Hood[®]
SPECIFICATION SHEETS
SUBJECT TO CHANGE WITHOUT NOTICE

Vent Hood®

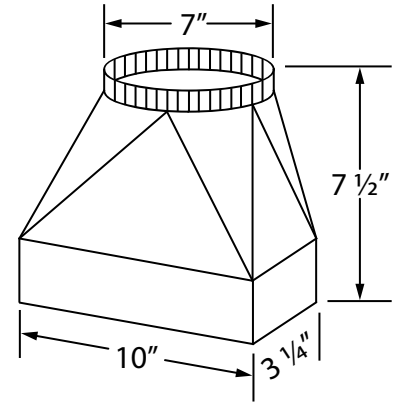
UNDER CABINET
SUBJECT TO CHANGE WITHOUT NOTICE

Vent-A-Hood® UNDER CABINET RANGE HOOD SPECIFICATIONS

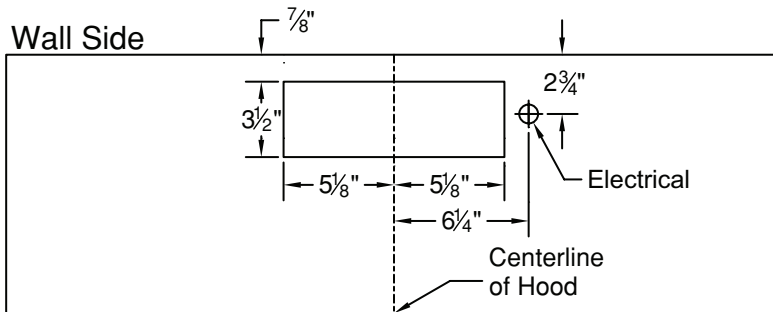
PRH6-K Equipped with halogen lighting. Not available with heat lamps. Available in Black, Biscuit, Gunsmoke, Stainless Steel, or White. Custom sizes not available.



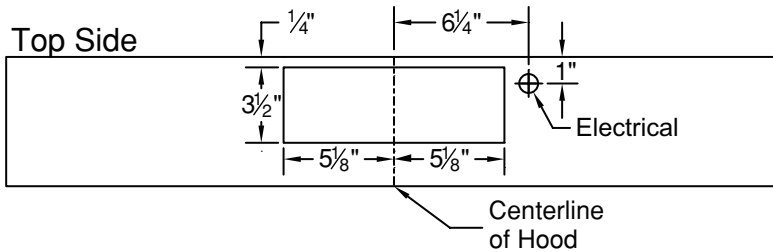
The VP521 transition is available for top vent applications at an additional charge.



Connection Diagrams (24", 30", 36", & 42" Widths)

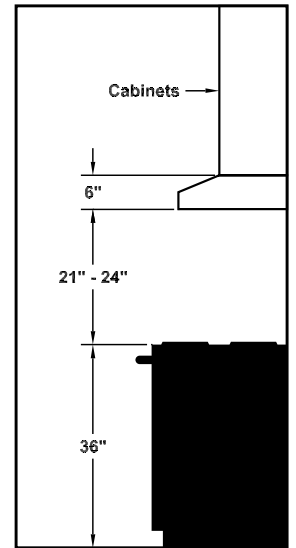


(Top View)



(Wall Cutout, Viewed from Front)

Recommended Mounting Height*



*Recommended mounting height is for optimum performance.

Electrical/Mechanical Specifications For Blower Units

Model	Volts	Amps	Hz	RPM	CFM SP@0.0"	Equivalent CFM*	CFM SP@0.1"	CFM SP@0.2"	CFM SP@0.3"	Minimum Round Duct Size	Sones#
K250 (Top Vent)	115	3.2	60	1550	250	375	223	220	190	7" (38 in. ²)	7.4
K250 (Back Vent)	115	3.2	60	1550	220	330	215	195	180	7" (38 in. ²)	7.4

All K-Series hoods have two halogen lights.

* Because the Magic Lung® blower uses centrifugal filtration rather than conventional baffle or mesh filters, the Magic Lung® blower can handle cooking equipment with higher cubic feet per minute (CFM) requirements and can deliver equivalent CFM much more efficiently than other filtration systems. When comparing the Magic Lung® with other blower units made by other manufacturers, use the "Equivalent CFM".

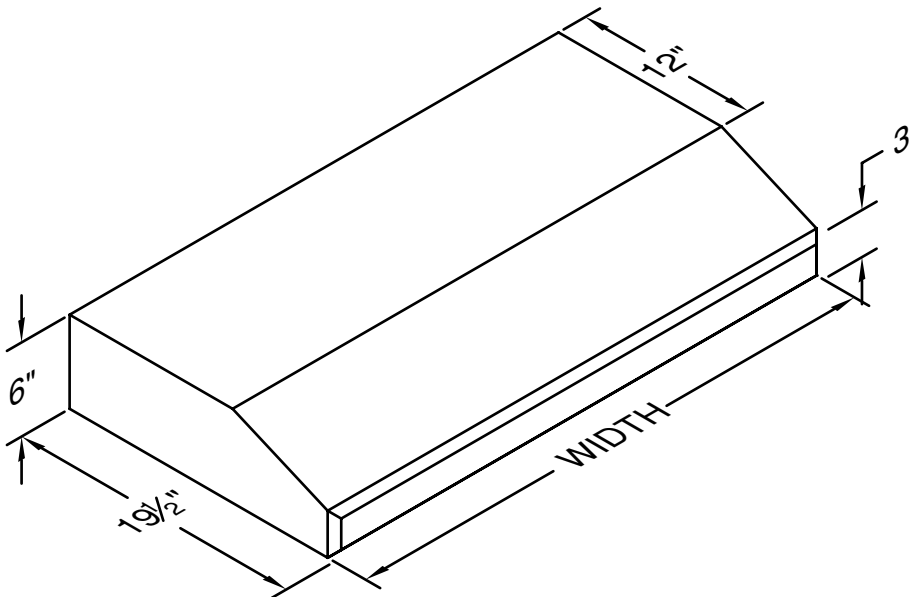
Ratings in accordance with the Standard Test Code by the Energy Systems Laboratory of the Texas Engineering Experiment Station.

SPECIFICATIONS SUBJECT TO CHANGE WITHOUT NOTICE Rev. 0412A

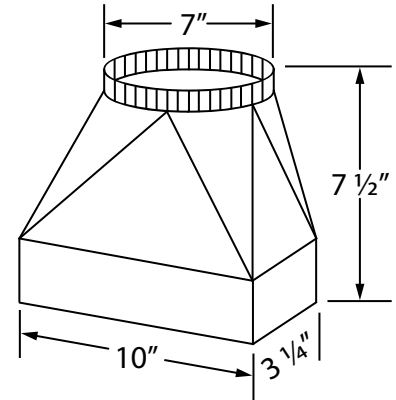


Vent-A-Hood® UNDER CABINET RANGE HOOD SPECIFICATIONS

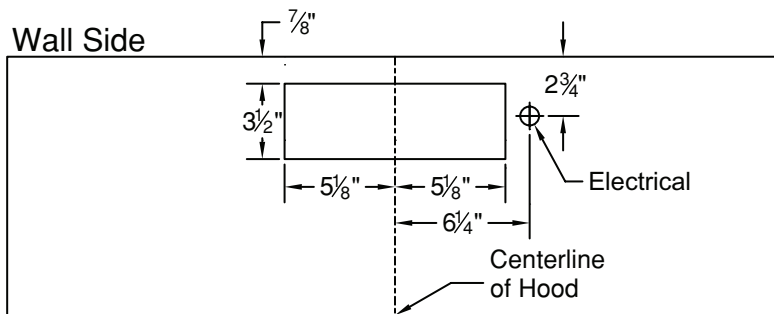
SLH6-K Equipped with halogen lighting. Not available with heat lamps. Available in Black, Biscuit, Gunsmoke, Stainless Steel, or White. Custom sizes not available.



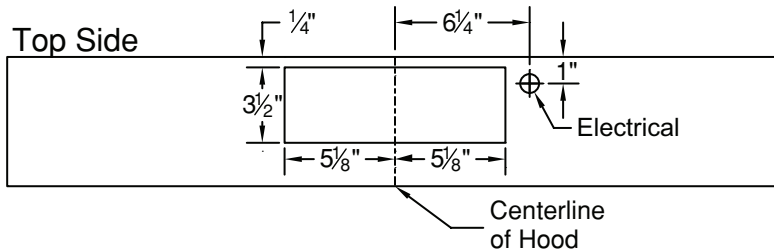
The VP521 transition is available for top vent applications at an additional charge.



Connection Diagrams (24", 30", 36", & 42" Widths)

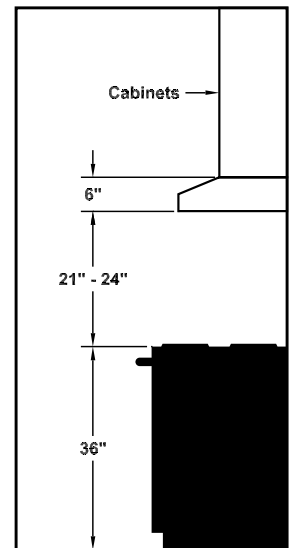


(Top View)



(Wall Cutout, Viewed from Front)

Recommended Mounting Height*



*Recommended mounting height is for optimum performance.

Electrical/Mechanical Specifications For Blower Units

Model	Volts	Amps	Hz	RPM	CFM SP@0.0"	Equivalent CFM*	CFM SP@0.1"	CFM SP@0.2"	CFM SP@0.3"	Minimum Round Duct Size	Sones#
K250 (Top Vent)	115	3.2	60	1550	250	375	223	220	190	7" (38 in. ²)	7.4
K250 (Back Vent)	115	3.2	60	1550	220	330	215	195	180	7" (38 in. ²)	7.4

All K-Series hoods have two halogen lights.

* Because the Magic Lung® blower uses centrifugal filtration rather than conventional baffle or mesh filters, the Magic Lung® blower can handle cooking equipment with higher cubic feet per minute (CFM) requirements and can deliver equivalent CFM much more efficiently than other filtration systems. When comparing the Magic Lung® with other blower units made by other manufacturers, use the "Equivalent CFM".

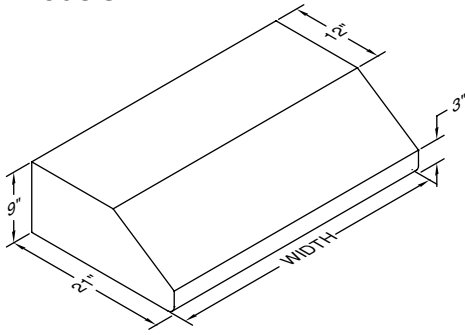
Ratings in accordance with the Standard Test Code by the Energy Systems Laboratory of the Texas Engineering Experiment Station.

SPECIFICATIONS SUBJECT TO CHANGE WITHOUT NOTICE Rev. 0412A

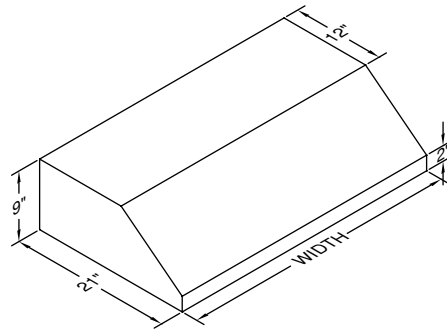


Vent-A-Hood® UNDER CABINET RANGE HOOD SPECIFICATIONS

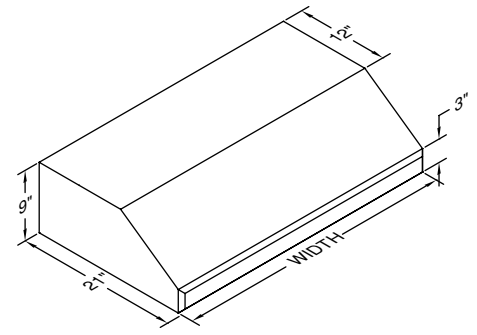
NPH9/PRH9/SLH9 Equipped with halogen lighting. WL-1 warming lights are available on selected models.



NPH9

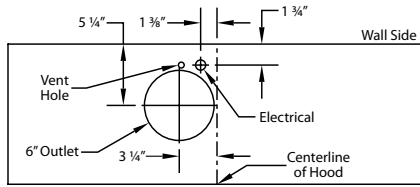


PRH9

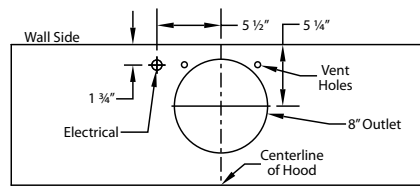


SLH9

Connection Diagram (30" - 48" Widths)

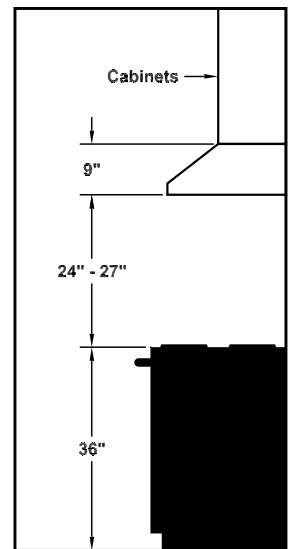


300 CFM B100 Single Blower (Top View)



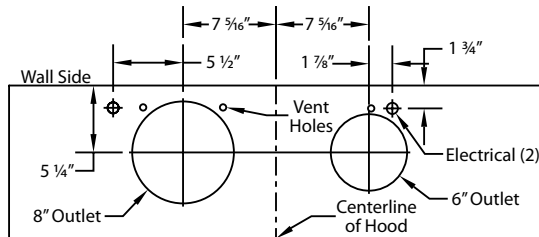
600 CFM B200 Dual Blower (Top View)

Recommended Mounting Height*

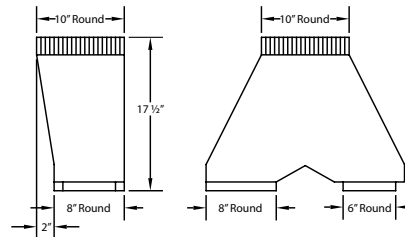


*Recommended mounting height is for optimum performance.

Connection Diagram (42" - 48" Widths)

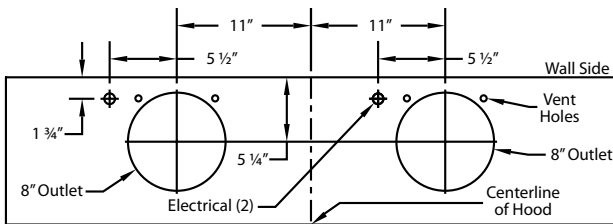


900 CFM B200 Dual & B100 Single Blower (Top View)

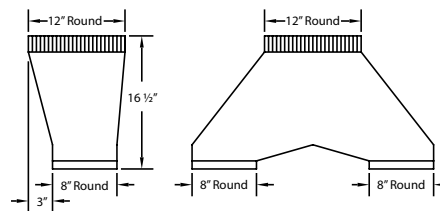


VP562 Transition (Optional) For B300 (B200 Dual Blower & B100 Single Blower)

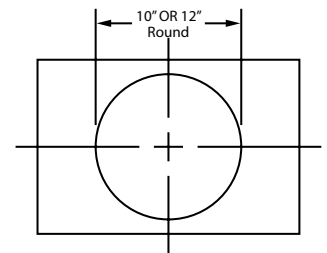
Connection Diagram (48" Width)



1200 CFM Double B200 Dual Blowers (Top View)



VP563 Transition (Optional) For B400 (Double B200 Dual Blowers)



VP562/VP563 transition centers outlet over top of hood

Electrical/Mechanical Specifications For Blower Units

Model	Volts	Amps*	Hz	RPM	CFM SP@0.0"	Equivalent CFM*	CFM SP@0.1"	CFM SP@0.2"	CFM SP@0.3"	Minimum Round Duct Size	Sones#
B100 Single	115	1.5	60	1550	300	450	273	245	225	6" (28 in. ²)	5.4
B200 Dual	115	2.9	60	1550	600	900	531	480	430	8" (50 in. ²)	6.5
B200 Dual & B100 Single	115	4.4	60	1550	900	1350	804	725	655	VP562: 10" (79 in. ²)	6.3
Two B200 Duals	115	5.8	60	1550	1200	1800	1062	960	860	VP563: 12" (113 in. ²)	6.6

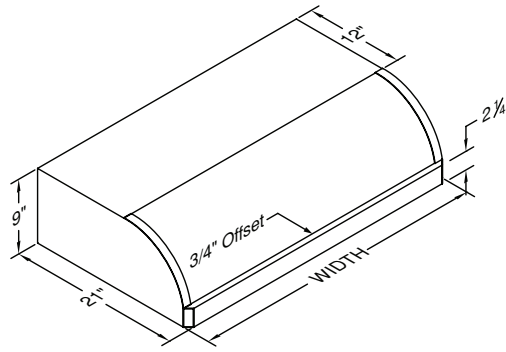
* Add 2.5 amp for each warming light and 0.5 amp for each halogen light. Hoods are available with halogen lights (2 lights: 30" - 41", 3 lights: 42" - 53", 4 lights: 54" - 66", +1 light for each 14" if over 66").

Because the Magic Lung® blower uses centrifugal filtration rather than conventional baffle or mesh filters, the Magic Lung® blower can handle cooking equipment with higher cubic feet per minute (CFM) requirements and can deliver equivalent CFM much more efficiently than other than other filtration systems. When comparing the Magic Lung® with other blower units made by other manufacturers, use the "Equivalent CFM".

Ratings in accordance with the Standard Test Code by the Energy Systems Laboratory of the Texas Engineering Experiment Station.

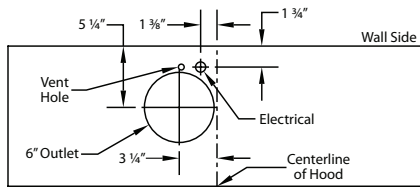
Vent-A-Hood® UNDER CABINET RANGE HOOD SPECIFICATIONS

XRH9 Equipped with halogen lighting. WL-1 warming lights are available on selected models.

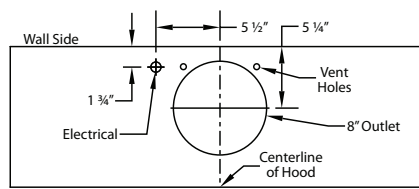


XRH9

Connection Diagram (30" - 48" Widths)

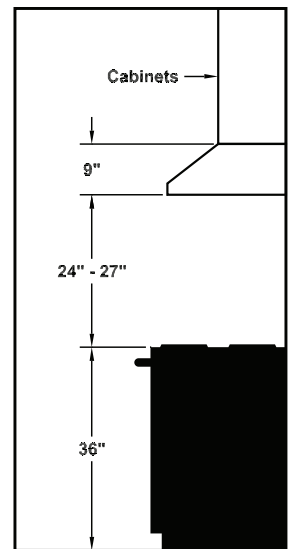


300 CFM B100 Single Blower (Top View)



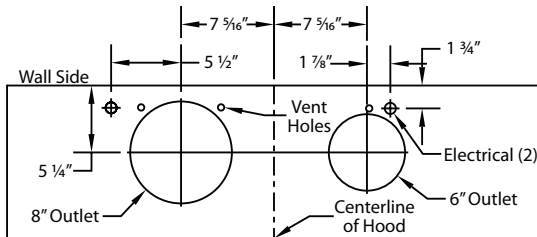
600 CFM B200 Dual Blower (Top View)

Recommended Mounting Height*

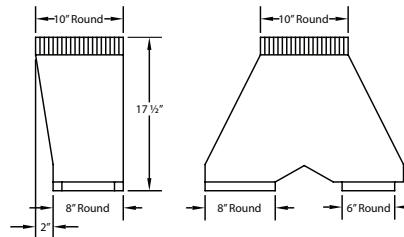


*Recommended mounting height is for optimum performance.

Connection Diagram (42" - 48" Widths)

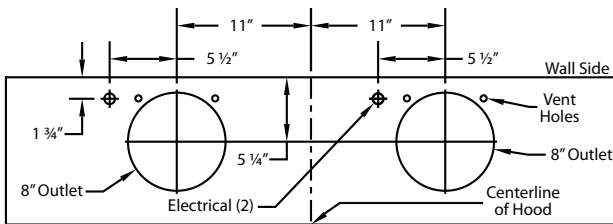


900 CFM B200 Dual & B100 Single Blower (Top View)

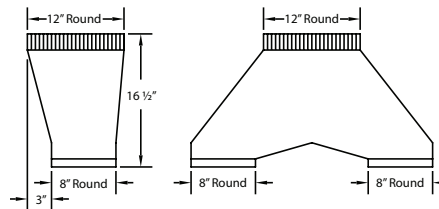


VP562 Transition (Optional) For B300 (B200 Dual Blower & B100 Single Blower)

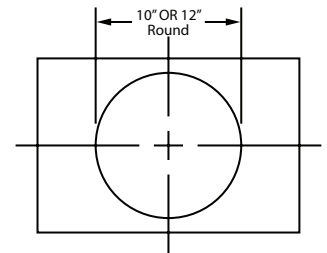
Connection Diagram (48" Width)



1200 CFM Double B200 Dual Blowers (Top View)



VP563 Transition (Optional) For B400 (Double B200 Dual Blowers)



VP562/VP563 transition centers outlet over top of hood

Electrical/Mechanical Specifications For Blower Units

Model	Volts	Amps*	Hz	RPM	CFM SP@0.0"	Equivalent CFM*	CFM SP@0.1"	CFM SP@0.2"	CFM SP@0.3"	Minimum Round Duct Size	Sones#
B100 Single	115	1.5	60	1550	300	450	273	245	225	6" (28 in. ²)	5.4
B200 Dual	115	2.9	60	1550	600	900	531	480	430	8" (50 in. ²)	6.5
B200 Dual & B100 Single	115	4.4	60	1550	900	1350	804	725	655	VP562: 10" (79 in. ²)	6.3
Two B200 Duals	115	5.8	60	1550	1200	1800	1062	960	860	VP563: 12" (113 in. ²)	6.6

* Add 2.5 amp for each warming light and 0.5 amp for each halogen light. The XRH9 is available with halogen lights (2 lights: 30" - 41"; 3 lights: 42" - 53"; 4 lights: 54" - 66"; +1 light for each 14" if over 66").

Because the Magic Lung® blower uses centrifugal filtration rather than conventional baffle or mesh filters, the Magic Lung® blower can handle cooking equipment with higher cubic feet per minute (CFM) requirements and can deliver equivalent CFM much more efficiently than other than other filtration systems. When comparing the Magic Lung® with other blower units made by other manufacturers, use the "Equivalent CFM".

Ratings in accordance with the Standard Test Code by the Energy Systems Laboratory of the Texas Engineering Experiment Station.

SPECIFICATIONS SUBJECT TO CHANGE WITHOUT NOTICE Rev. 0213A



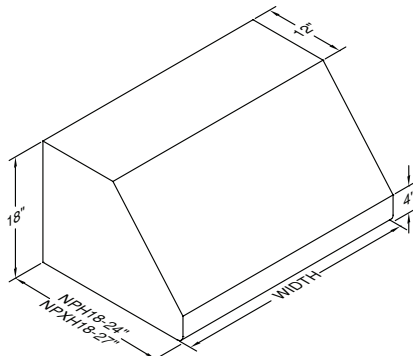
Vent Hood®

WALL MOUNT

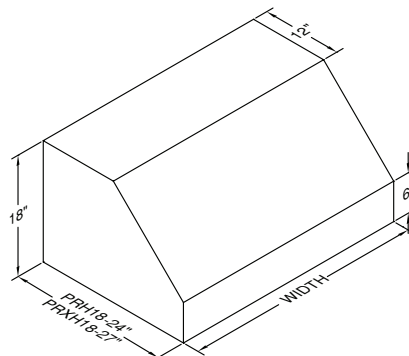
SUBJECT TO CHANGE WITHOUT NOTICE

Vent Hood® WALL MOUNT RANGE HOOD SPECIFICATIONS

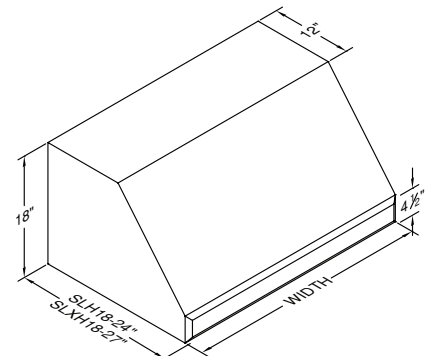
NPH18/NPXH18/PRH18/PRXH18/SLH18/SLXH18 Equipped with halogen lighting. WBAR warming light bar is available on selected models. X in part number indicates 27" depth.



NPH18/NPXH18

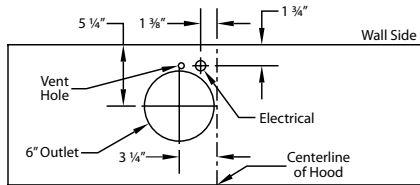


PRH18/PRXH18

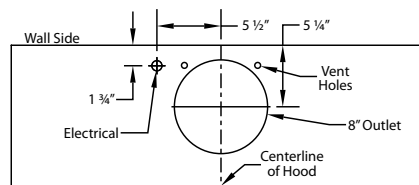


SLH18/SLXH18

Connection Diagrams (30" - 48" Widths)

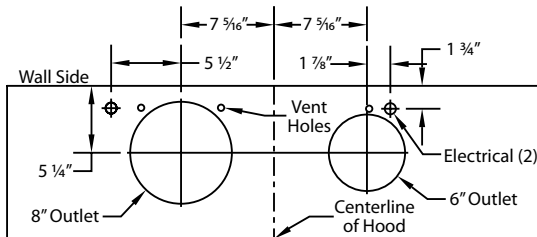


300 CFM B100 Single Blower (Top View)

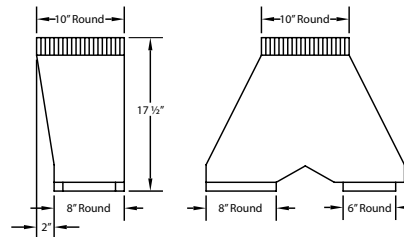


600 CFM B200 Dual Blower (Top View)

Connection Diagram (42" - 60" Widths)

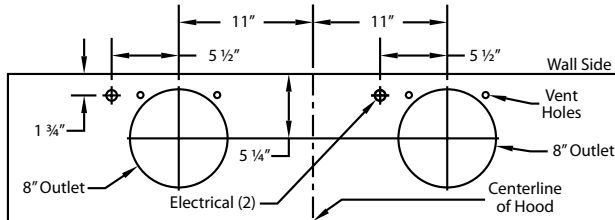


900 CFM B200 Dual & B100 Single Blower (Top View)

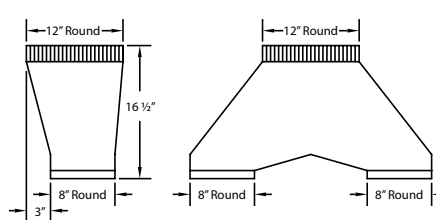


VP562 Transition (Optional) For B200 (B200 Dual Blower & B100 Single Blower)

Connection Diagram (48" - 66" Widths)

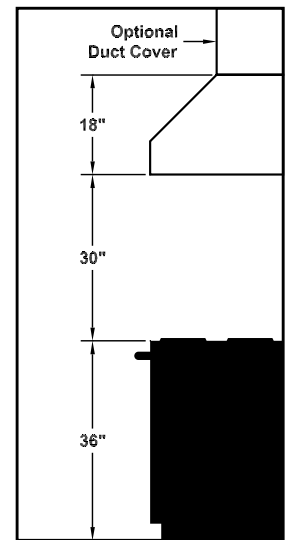


1200 CFM Double B200 Dual Blowers (Top View)

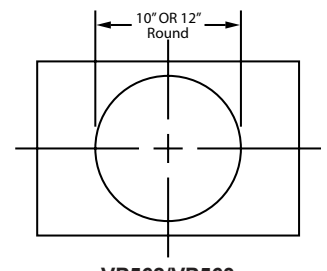


VP563 Transition (Optional) For B400 (Double B200 Dual Blowers)

Recommended Mounting Height*



*Recommended mounting height is for optimum performance.



VP562/VP563 transition centers outlet over top of hood

Electrical/Mechanical Specifications For Blower Units

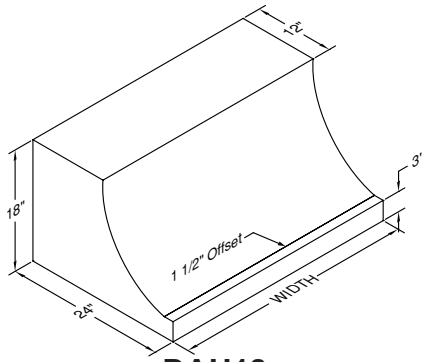
Model	Volts	Amps*	Hz	RPM	CFM SP@0.0"	Equivalent CFM*	CFM SP@0.1"	CFM SP@0.2"	CFM SP@0.3"	Minimum Round Duct Size	Sones#
B100 Single	115	1.5	60	1550	300	450	273	245	225	6" (28 in. ²)	5.4
B200 Dual	115	2.9	60	1550	600	900	531	480	430	8" (50 in. ²)	6.5
B200 Dual & B100 Single	115	4.4	60	1550	900	1350	804	725	655	VP562: 10" (79 in. ²)	6.3
Two B200 Duals	115	5.8	60	1550	1200	1800	1062	960	860	VP563: 12" (113 in. ²)	6.6

* Add 2.5 amp for each warming light and 0.5 amp for each halogen light. Hoods are available with halogen lights (2 lights: 30" - 41", 3 lights: 42" - 53", 4 lights: 54" - 66", +1 light for each 14" if over 66").
 • Because the Magic Lung® blower uses centrifugal filtration rather than conventional baffle or mesh filters, the Magic Lung® blower can handle cooking equipment with higher cubic feet per minute (CFM) requirements and can deliver equivalent CFM much more efficiently than other than other filtration systems. When comparing the Magic Lung® with other blower units made by other manufacturers, use the "Equivalent CFM".
 # Ratings in accordance with the Standard Test Code by the Energy Systems Laboratory of the Texas Engineering Experiment Station.

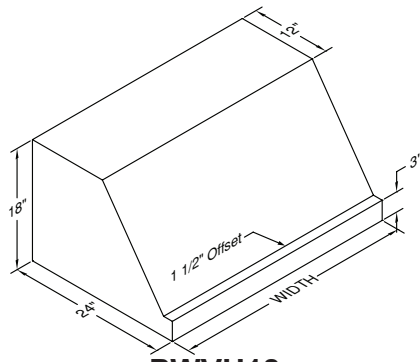


VentA Hood® WALL MOUNT RANGE HOOD SPECIFICATIONS

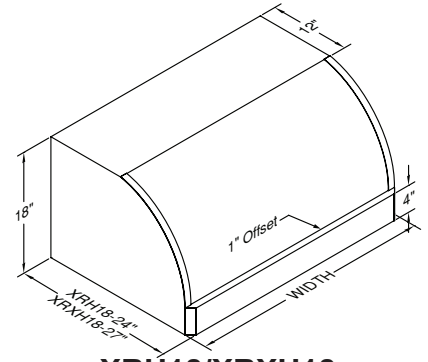
DAH18/PWVH18/XRH18/XRXH18 Equipped with halogen lighting. WBAR warming light bar is available on selected models. X in part number indicates 27" depth.



DAH18

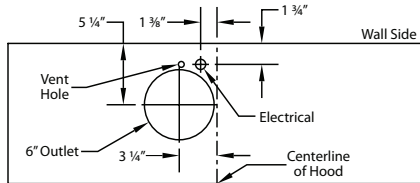


PWVH18

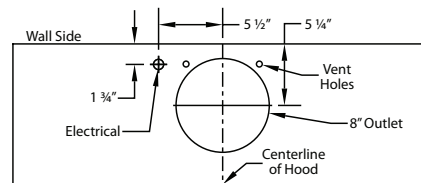


XRH18/XRXH18

Connection Diagrams (30" - 48" Widths)

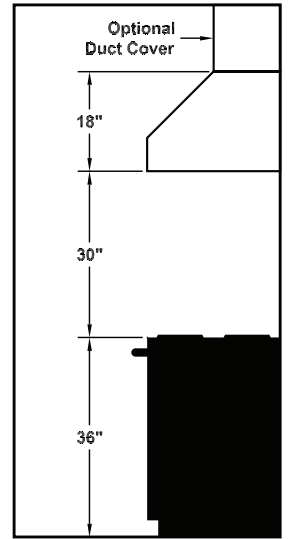


300 CFM B100 Single Blower (Top View)



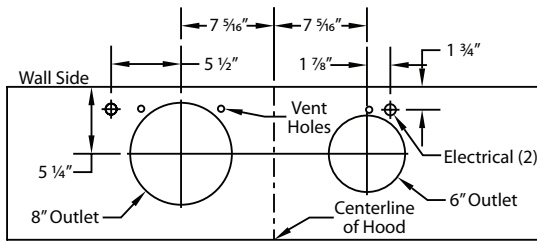
600 CFM B200 Dual Blower (Top View)

Recommended Mounting Height*

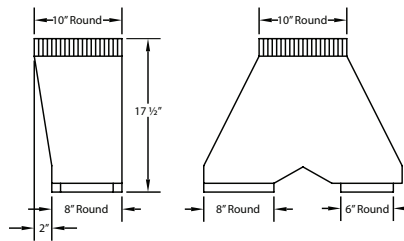


*Recommended mounting height is for optimum performance.

Connection Diagram (42" - 60" Widths)

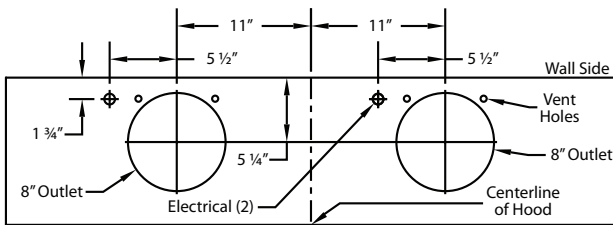


900 CFM B200 Dual & B100 Single Blower (Top View)

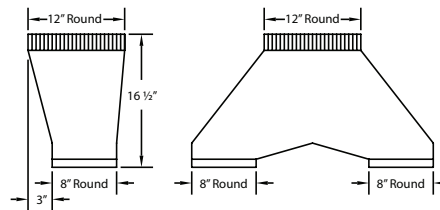


VP562 Transition (Optional) For B300 (B200 Dual Blower & B100 Single Blower)

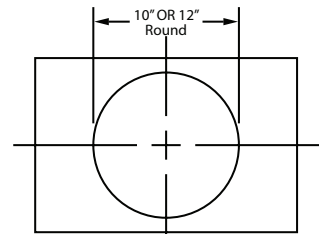
Connection Diagram (48" - 66" Widths)



1200 CFM Double B200 Dual Blowers (Top View)



VP563 Transition (Optional) For B400 (Double B200 Dual Blowers)



VP562/VP563 transition centers outlet over top of hood

Electrical/Mechanical Specifications For Blower Units

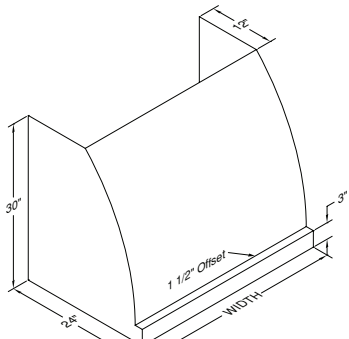
Model	Volts	Amps*	Hz	RPM	CFM SP@0.0"	Equivalent CFM*	CFM SP@0.1"	CFM SP@0.2"	CFM SP@0.3"	Minimum Round Duct Size	Sones#
B100 Single	115	1.5	60	1550	300	450	273	245	225	6" (28 in. ²)	5.4
B200 Dual	115	2.9	60	1550	600	900	531	480	430	8" (50 in. ²)	6.5
B200 Dual & B100 Single	115	4.4	60	1550	900	1350	804	725	655	VP562: 10" (79 in. ²)	6.3
Two B200 Duals	115	5.8	60	1550	1200	1800	1062	960	860	VP563: 12" (113 in. ²)	6.6

* Add 2.5 amp for each warming light and 0.5 amp for each halogen light. Hoods are available with with halogen lights (2 lights: 30" - 41", 3 lights: 42" - 53", 4 lights: 54" - 66", +1 light for each 14" if over 66").
 • Because the Magic Lung® blower uses centrifugal filtration rather than conventional baffle or mesh filters, the Magic Lung® blower can handle cooking equipment with higher cubic feet per minute (CFM) requirements and can deliver equivalent CFM much more efficiently than other than other filtration systems. When comparing the Magic Lung® with other blower units made by other manufacturers, use the "Equivalent CFM".
 # Ratings in accordance with the Standard Test Code by the Energy Systems Laboratory of the Texas Engineering Experiment Station.

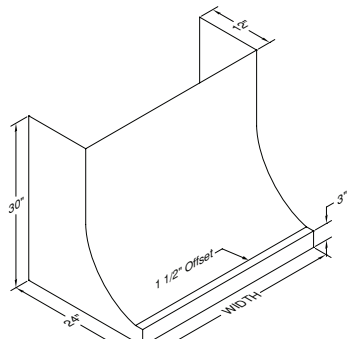


VentA Hood® WALL MOUNT RANGE HOOD SPECIFICATIONS

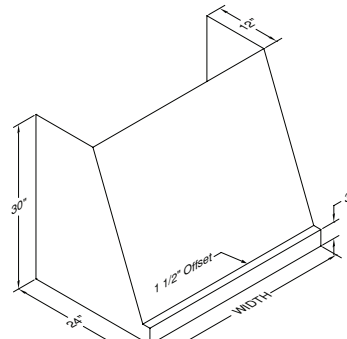
CXH30/DAH30/PWVH30/SLH30 Equipped with halogen lighting. WBAR warming light bar is available on selected models.



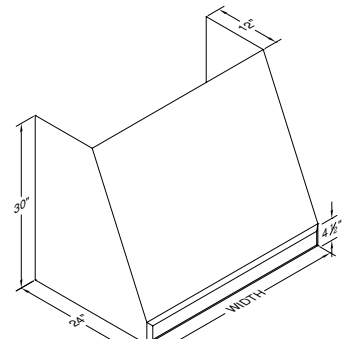
CXH30



DAH30

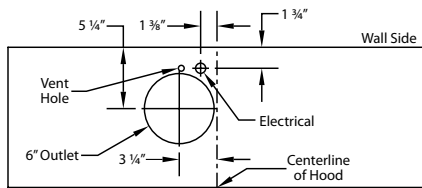


PWVH30

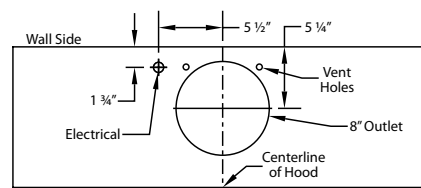


SLH30

Connection Diagrams (30" - 48" Widths)

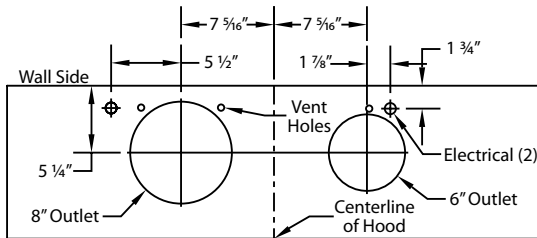


300 CFM B100 Single Blower (Top View)

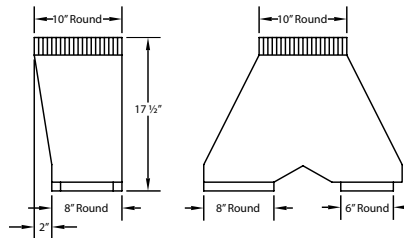


600 CFM B200 Dual Blower (Top View)

Connection Diagram (42" - 60" Widths)

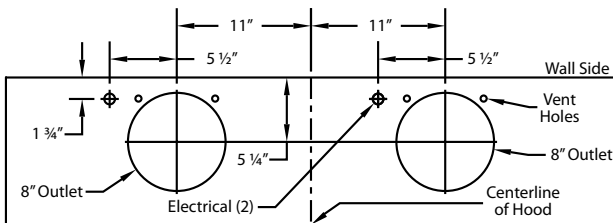


900 CFM B200 Dual & B100 Single Blower (Top View)

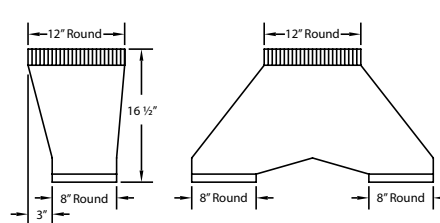


VP562 Transition (Optional) For B300 (B200 Dual Blower & B100 Single Blower)

Connection Diagram (48" - 66" Widths)

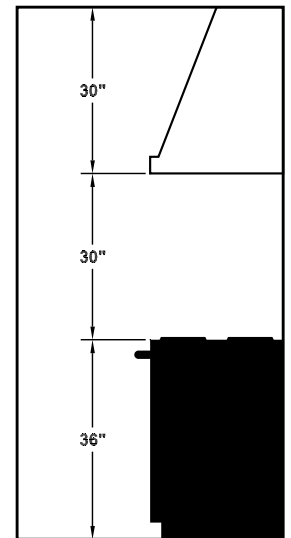


1200 CFM Double B200 Dual Blowers (Top View)

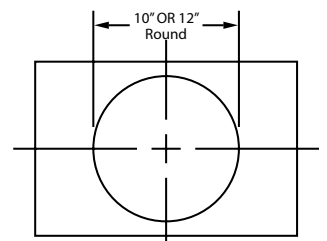


VP563 Transition (Optional) For B400 (Double B200 Dual Blowers)

Recommended Mounting Height*



*Recommended mounting height is for optimum performance.



VP562/VP563 transition centers outlet over top of hood

Electrical/Mechanical Specifications For Blower Units

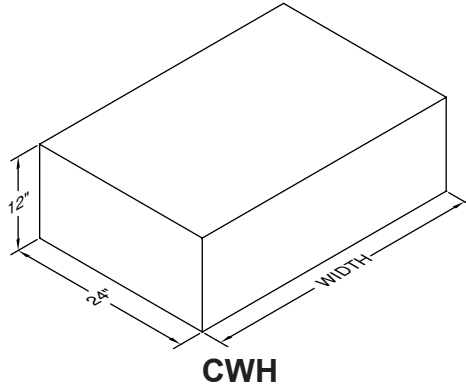
Model	Volts	Amps*	Hz	RPM	CFM SP@0.0"	Equivalent CFM*	CFM SP@0.1"	CFM SP@0.2"	CFM SP@0.3"	Minimum Round Duct Size	Sones#
B100 Single	115	1.5	60	1550	300	450	273	245	225	6" (28 in. ²)	5.4
B200 Dual	115	2.9	60	1550	600	900	531	480	430	8" (50 in. ²)	6.5
B200 Dual & B100 Single	115	4.4	60	1550	900	1350	804	725	655	VP562: 10" (79 in. ²)	6.3
Two B200 Duals	115	5.8	60	1550	1200	1800	1062	960	860	VP563: 12" (113 in. ²)	6.6

* Add 2.5 amp for each warming light and 0.5 amp for each halogen light. Hoods are available with halogen lights (2 lights: 30" - 41", 3 lights: 42" - 53", 4 lights: 54" - 66", +1 light for each 14" if over 66").
 • Because the Magic Lung® blower uses centrifugal filtration rather than conventional baffle or mesh filters, the Magic Lung® blower can handle cooking equipment with higher cubic feet per minute (CFM) requirements and can deliver equivalent CFM much more efficiently than other than other filtration systems. When comparing the Magic Lung® with other blower units made by other manufacturers, use the "Equivalent CFM".
 # Ratings in accordance with the Standard Test Code by the Energy Systems Laboratory of the Texas Engineering Experiment Station.

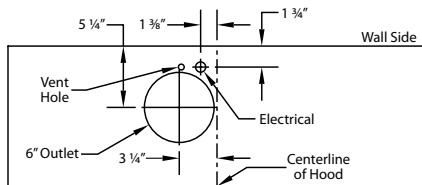


VentA-Hood® WALL MOUNT RANGE HOOD SPECIFICATIONS

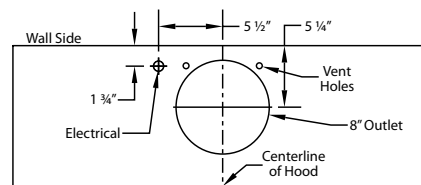
CWH Equipped with halogen lighting. Not available with heat lamps. WL-1 warming lights are available on selected models.



Connection Diagrams (30" - 48" Widths)

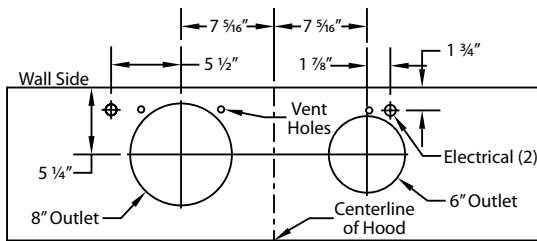


300 CFM B100 Single Blower (Top View)

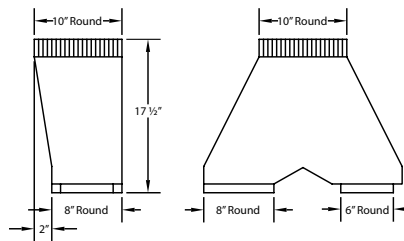


600 CFM Dual Blower (Top View)

Connection Diagram (42" - 60" Widths)

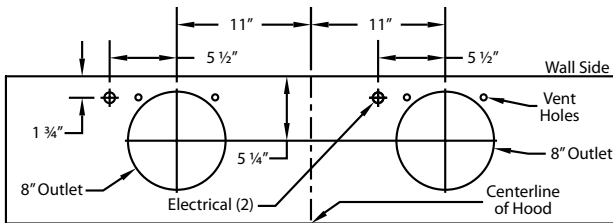


900 CFM B200 Dual & B100 Single Blower (Top View)

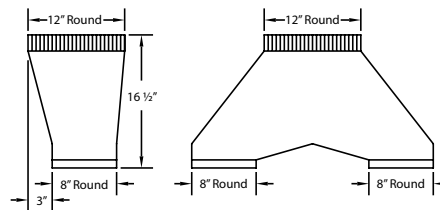


VP562 Transition (Optional) For B300 (B200 Dual Blower & B100 Single Blower)

Connection Diagram (48" - 66" Widths)

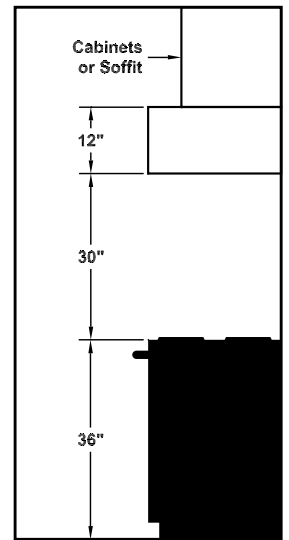


1200 CFM Double B200 Dual Blowers (Top View)

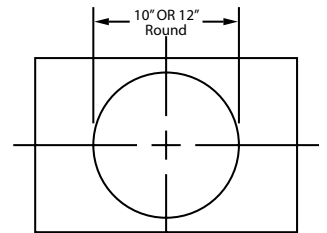


VP563 Transition (Optional) For B400 (Double B200 Dual Blowers)

Recommended Mounting Height*



*Recommended mounting height is for optimum performance.



VP562/VP563 transition centers outlet over top of hood

Electrical/Mechanical Specifications For Blower Units

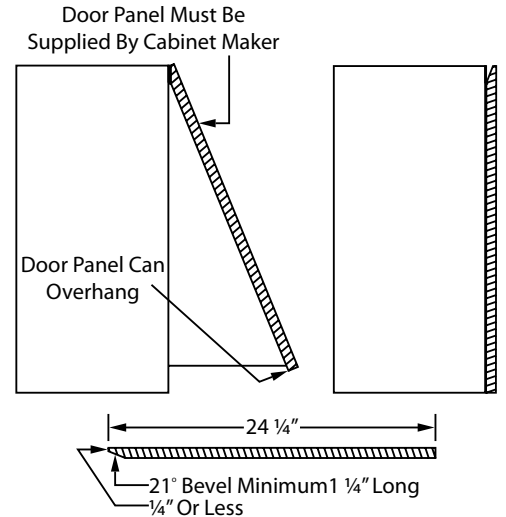
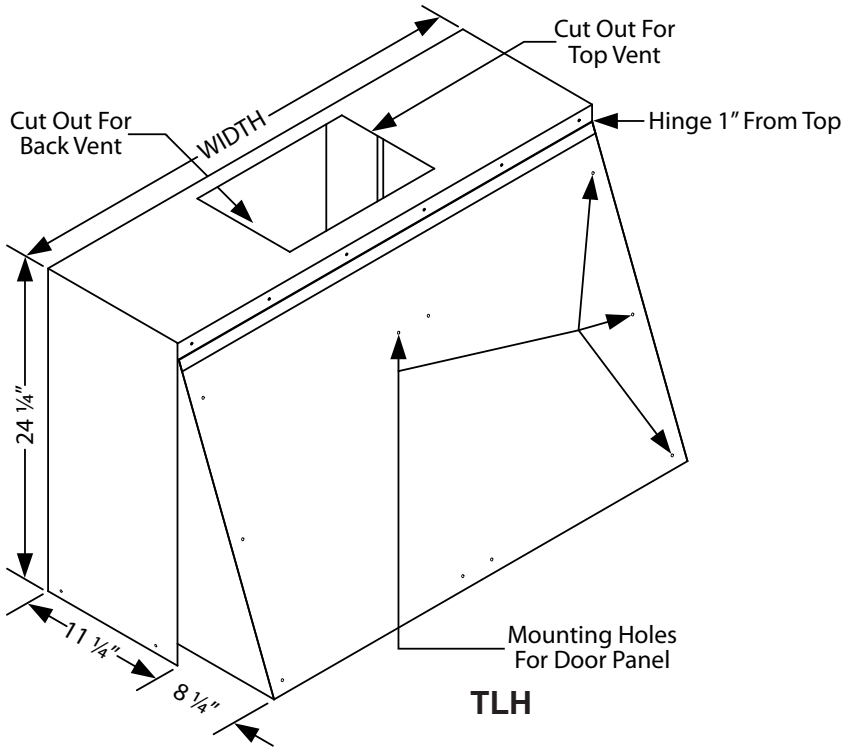
Model	Volts	Amps*	Hz	RPM	CFM SP@0.0"	Equivalent CFM*	CFM SP@0.1"	CFM SP@0.2"	CFM SP@0.3"	Minimum Round Duct Size	Sones#
B100 Single	115	1.5	60	1550	300	450	273	245	225	6" (28 in. ²)	5.4
B200 Dual	115	2.9	60	1550	600	900	531	480	430	8" (50 in. ²)	6.5
B200 Dual & B100 Single	115	4.4	60	1550	900	1350	804	725	655	VP562: 10" (79 in. ²)	6.3
Two B200 Duals	115	5.8	60	1550	1200	1800	1062	960	860	VP563: 12" (113 in. ²)	6.6

* Add 2.5 amp for each warming light and 0.5 amp for each halogen light. Hood is available with halogen lights (2 lights: 30" - 41", 3 lights: 42" - 53", 4 lights: 54" - 66", +1 light for each 14" if over 66").
 • Because the Magic Lung® blower uses centrifugal filtration rather than conventional baffle or mesh filters, the Magic Lung® blower can handle cooking equipment with higher cubic feet per minute (CFM) requirements and can deliver equivalent CFM much more efficiently than other than other filtration systems. When comparing the Magic Lung® with other blower units made by other manufacturers, use the "Equivalent CFM".
 # Ratings in accordance with the Standard Test Code by the Energy Systems Laboratory of the Texas Engineering Experiment Station.



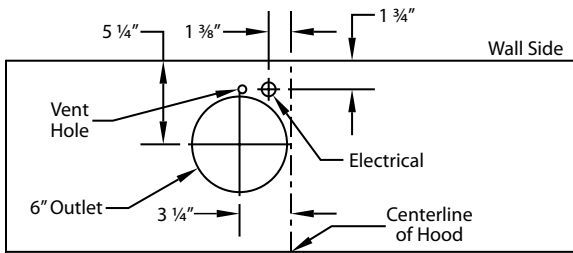
Vent-A-Hood® WALL MOUNT RANGE HOOD SPECIFICATIONS

TLH Equipped with halogen lighting. Not available with heat lamps.

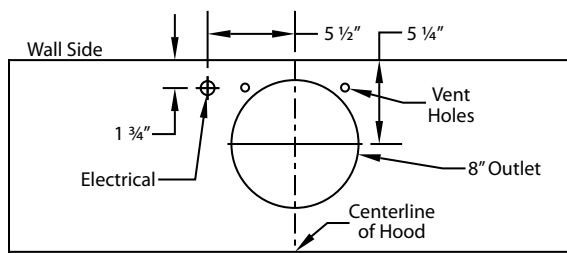


Door Panel Specifications

Connection Diagrams (30" - 48" Widths)

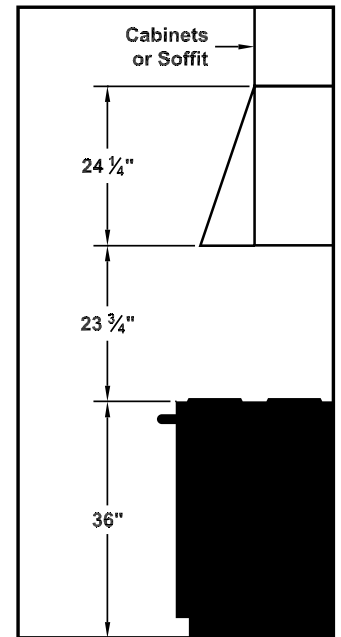


300 CFM B100 Single Blower (Top View)

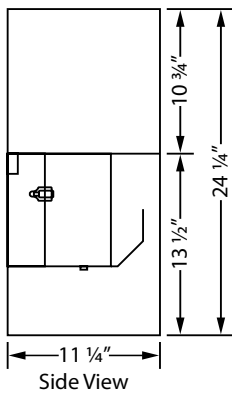


600 CFM B200 Dual Blower (Top View)

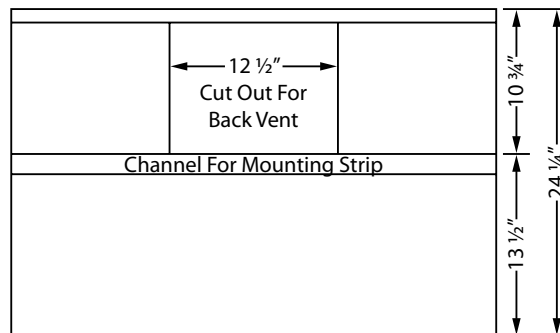
Recommended Mounting Height*



*Recommended mounting height is for optimum performance.



Side View



Back View of Hood

Electrical/Mechanical Specifications For Blower Units

Model	Volts	Amps	Hz	RPM	CFM SP@0.0"	Equivalent CFM*	CFM SP@0.1"	CFM SP@0.2"	CFM SP@0.3"	Minimum Round Duct Size	Sones#
B100 Single	115	1.5	60	1550	300	450	273	245	225	6" (28 in. ²)	5.4
B200 Dual	115	2.9	60	1550	600	900	531	480	430	8" (50 in. ²)	6.5

Add 0.5 amp for each halogen light. The TLH is available with halogen lights (2 lights: 30" - 41"; 3 lights: 42" - 48").

* Because the Magic Lung® blower uses centrifugal filtration rather than conventional baffle or mesh filters, the Magic Lung® blower can handle cooking equipment with higher cubic feet per minute (CFM) requirements and can deliver equivalent CFM much more efficiently than other filtration systems. When comparing the Magic Lung® with other blower units made by other manufacturers, use the "Equivalent CFM".

Ratings in accordance with the Standard Test Code by the Energy Systems Laboratory of the Texas Engineering Experiment Station.



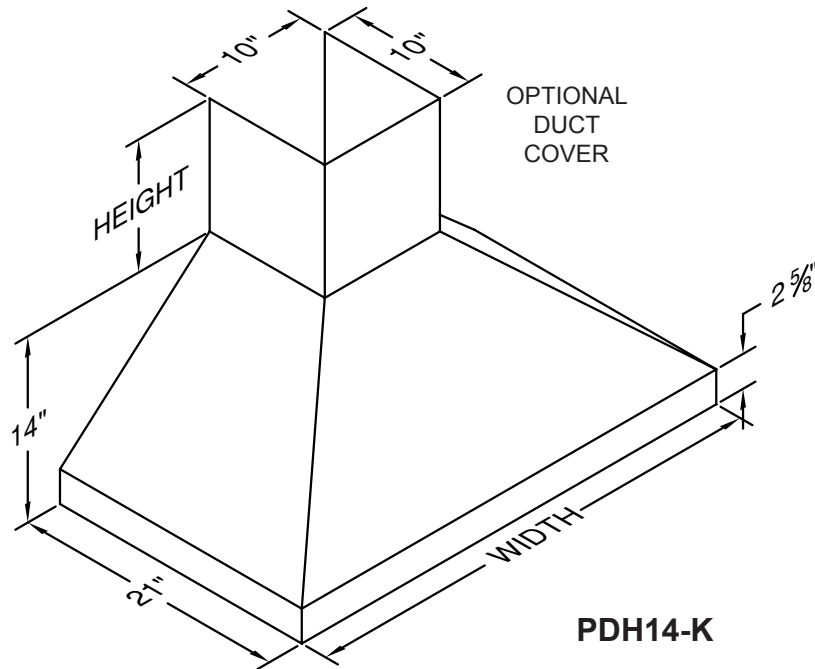
Vent Hood®

EURO-STYLE WALL MOUNT

SUBJECT TO CHANGE WITHOUT NOTICE

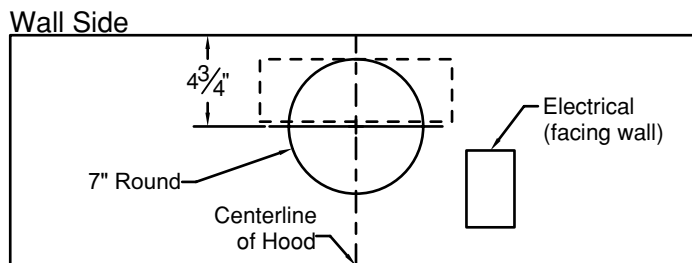
VentA Hood® EUROSTYLE WALL MOUNT RANGE HOOD SPECIFICATIONS

PDH14-K Equipped with halogen lighting. Not available with heat lamps. Shown with optional duct cover (sold separately). Optional duct covers available in standard and custom sizes.

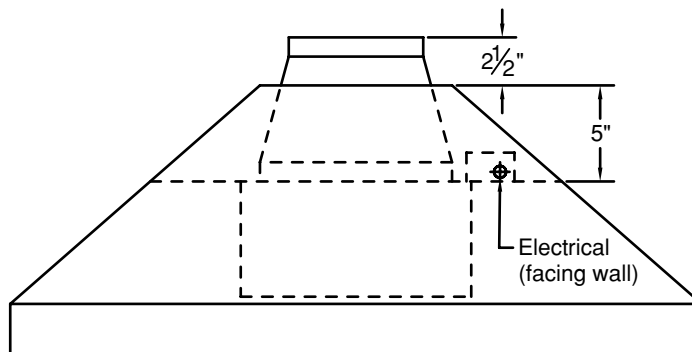


PDH14-K

Connection Diagram (30" - 48" Widths)

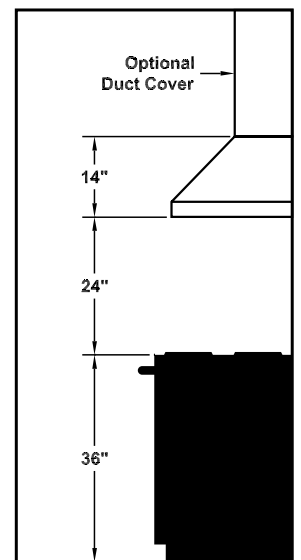


(Top View)



(Front View)

Recommended Mounting Height



*Recommended mounting height is for optimum performance.

Electrical/Mechanical Specifications For Blower Units

Model	Volts	Amps*	Hz	RPM	CFM SP@0.0"	Equivalent CFM*	CFM SP@0.1"	CFM SP@0.2"	CFM SP@0.3"	Minimum Round Duct Size	Sones#
K250 (Top Vent)	115	3.2	60	1550	250	375	223	220	190	7" (38 in. ²)	7.4

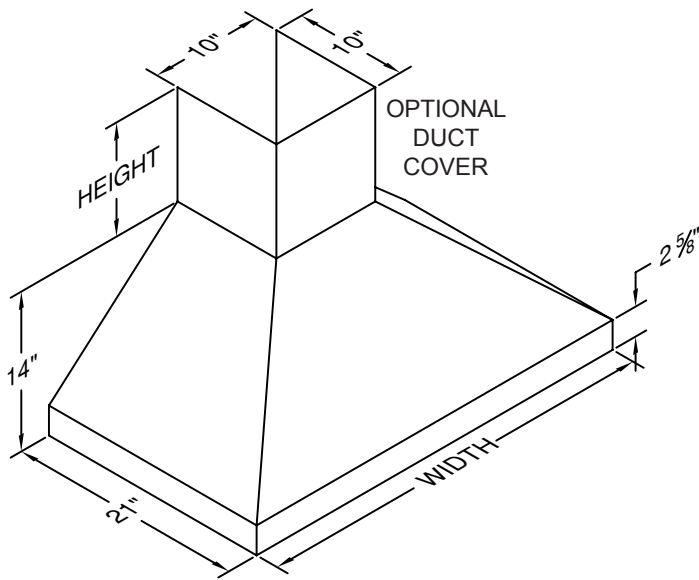
* Add 0.5 amp for each halogen light. Hood is available with halogen lights (2 lights: 30" - 41"; 3 lights: 42" - 48").

Because the Magic Lung® blower uses centrifugal filtration rather than conventional baffle or mesh filters, the Magic Lung® blower can handle cooking equipment with higher cubic feet per minute (CFM) requirements and can deliver equivalent CFM much more efficiently than other than other filtration systems. When comparing the Magic Lung® with other blower units made by other manufacturers, use the "Equivalent CFM".

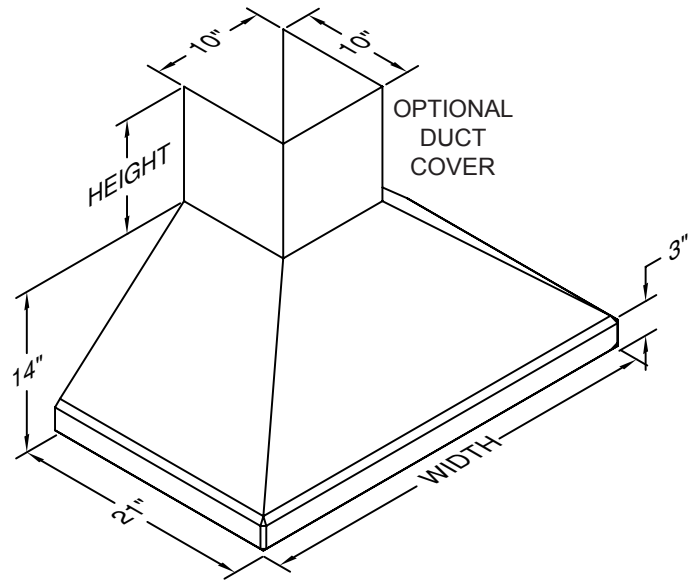
Ratings in accordance with the Standard Test Code by the Energy Systems Laboratory of the Texas Engineering Experiment Station.

VentA Hood® EUROSTYLE WALL MOUNT RANGE HOOD SPECIFICATIONS

PDH14/SLDH14 Equipped with halogen lighting. Not available with heat lamps. Shown with optional duct cover (sold separately). Optional duct covers available in standard and custom sizes.



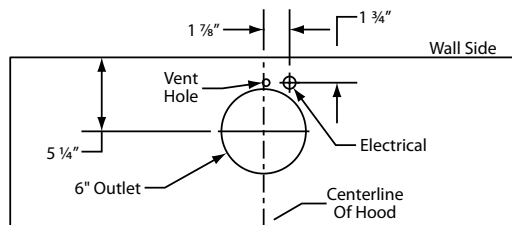
PDH14



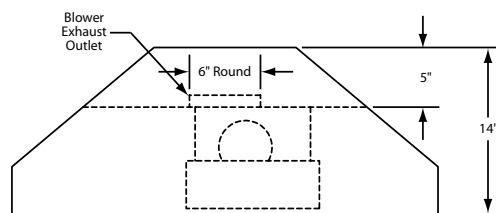
SLDH14

30" model is limited to B100 single blower only

Connection Diagram (30" - 48" Widths)

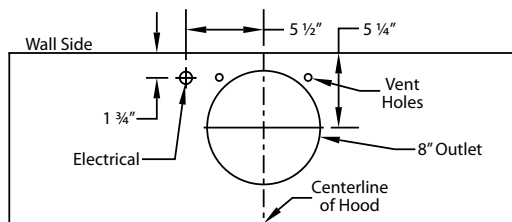


300 CFM B100 Single Blower (Top View)

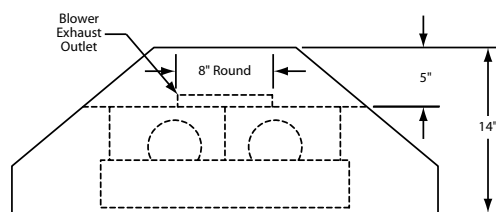


(Front View)

Connection Diagram (36" - 48" Widths)

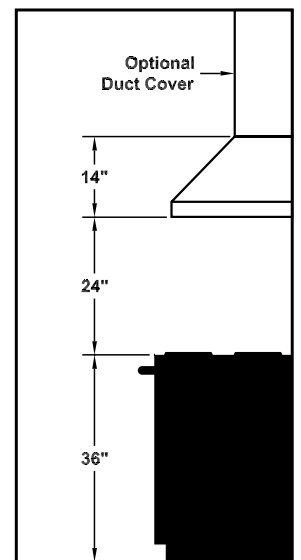


600 CFM B200 Dual Blower (Top View)



(Front View)

Recommended Mounting Height



***Recommended mounting height is for optimum performance.**

Electrical/Mechanical Specifications For Blower Units

Model	Volts	Amps*	Hz	RPM	CFM SP@0.0"	Equivalent CFM*	CFM SP@0.1"	CFM SP@0.2"	CFM SP@0.3"	Minimum Round Duct Size	Sones#
B100 Single	115	1.5	60	1550	300	450	273	245	225	6" (28 in. ²)	5.4
B200 Dual	115	2.9	60	1550	600	900	531	480	430	8" (50 in. ²)	6.5

* Add 0.5 amp for each halogen light. Hood is available with halogen lights (2 lights: 30" - 41", 3 lights: 42" - 48").

Because the Magic Lung® blower uses centrifugal filtration rather than conventional baffle or mesh filters, the Magic Lung® blower can handle cooking equipment with higher cubic feet per minute (CFM) requirements and can deliver equivalent CFM much more efficiently than other filtration systems. When comparing the Magic Lung® with other blower units made by other manufacturers, use the "Equivalent CFM".

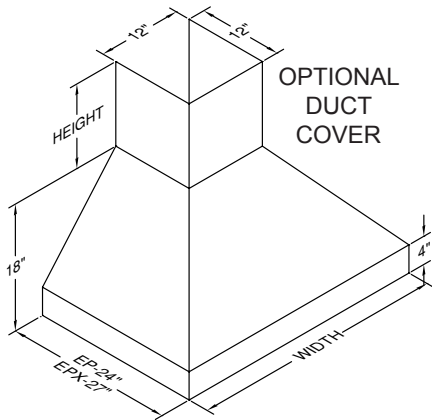
Ratings in accordance with the Standard Test Code by the Energy Systems Laboratory of the Texas Engineering Experiment Station.

SPECIFICATIONS SUBJECT TO CHANGE WITHOUT NOTICE Rev. 0412A

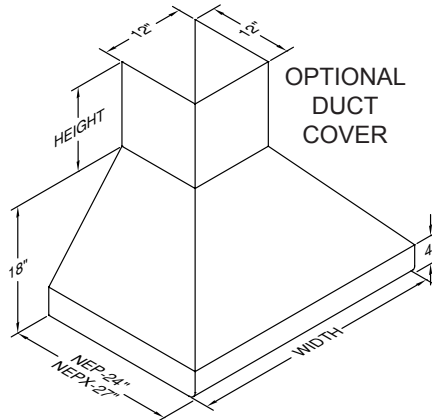


Vent Hood® EUROSTYLE WALL MOUNT RANGE HOOD SPECIFICATIONS

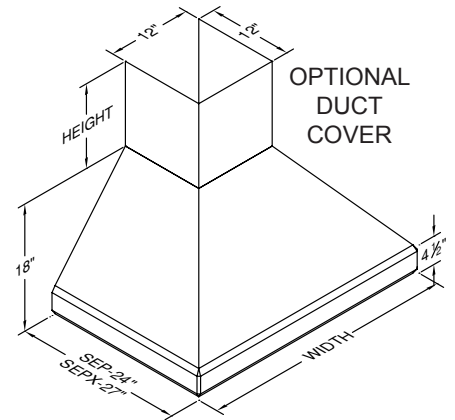
EPH18/EPXH18/NEPH18/NEPXH18/SEPH18/SEPXH18 Equipped with halogen lighting. Not available with heat lamps. Shown with optional duct cover (sold separately). Optional duct covers available in standard and custom sizes.



EPH18/EPXH18



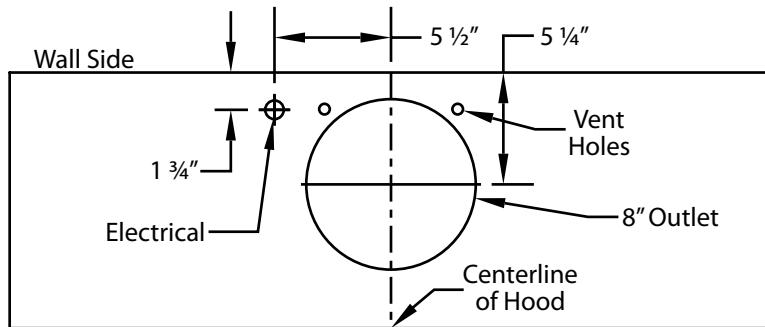
NEPH18/NEPXH18



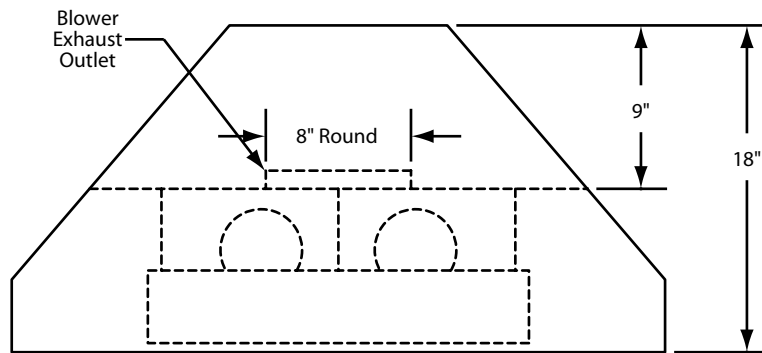
SEPH18/SEPXH18

(X) in part number indicates 27" depth

Connection Diagram (36" - 48" Widths)

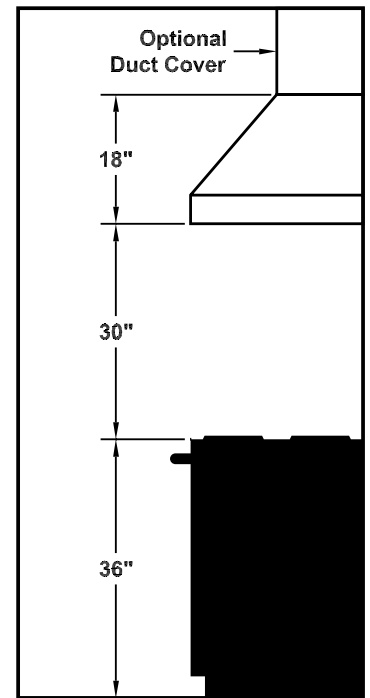


600 CFM B200 Dual Blower (Top View)



(Front View)

Recommended Mounting Height*



*Recommended mounting height is for optimum performance.

Electrical/Mechanical Specifications For Blower Units

Model	Volts	Amps*	Hz	RPM	CFM SP@0.0"	Equivalent CFM*	CFM SP@0.1"	CFM SP@0.2"	CFM SP@0.3"	Minimum Round Duct Size	Sones#
B200 Dual	115	2.9	60	1550	600	900	531	480	430	8" (50 in. ²)	6.5

* Add 0.5 amp for each halogen light. Hood is available with halogen lights (2 lights: 30" - 41", 3 lights: 42" - 48").

• Because the Magic Lung® blower uses centrifugal filtration rather than conventional baffle or mesh filters, the Magic Lung® blower can handle cooking equipment with higher cubic feet per minute (CFM) requirements and can deliver equivalent CFM much more efficiently than other filtration systems. When comparing the Magic Lung® with other blower units made by other manufacturers, use the "Equivalent CFM".

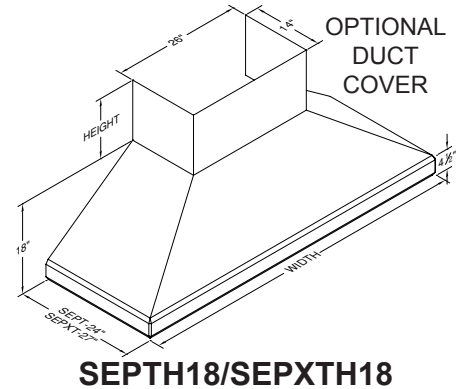
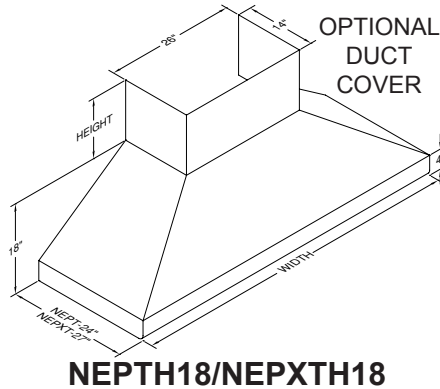
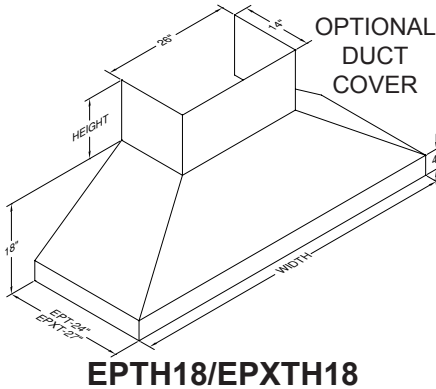
Ratings in accordance with the Standard Test Code by the Energy Systems Laboratory of the Texas Engineering Experiment Station.

SPECIFICATIONS SUBJECT TO CHANGE WITHOUT NOTICE Rev. 0412A



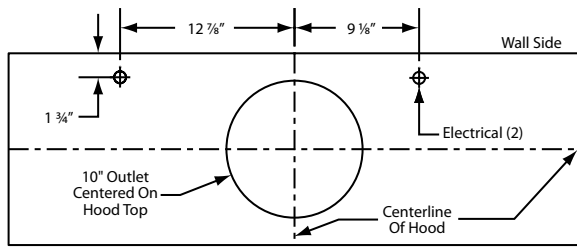
VentA Hood® EUROSTYLE WALL MOUNT RANGE HOOD SPECIFICATIONS

EPH18/EPXTH18/NEPTH18/NEPXTH18/SEPTH18/SEPXTH18 Equipped with halogen lighting. Not available with heat lamps. Shown with optional duct cover sold separately). Optional duct covers available in standard and custom sizes.

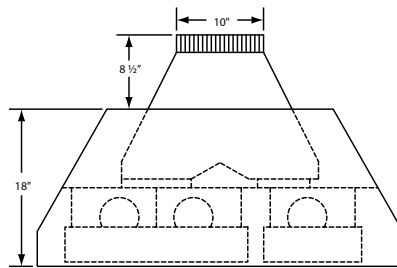


(X) in part number indicates 27" depth

Connection Diagram (42" - 66" Widths)

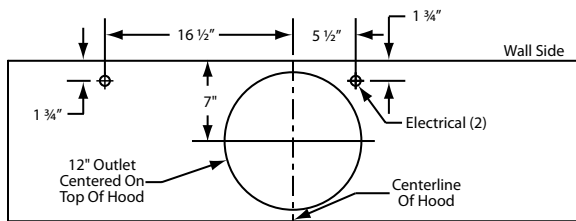


900 CFM B200 Dual & B100 Single Blower (Top View)

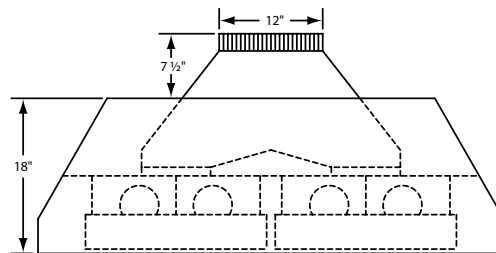


VP562 Standard Transition Installed (Front View)

Connection Diagram (54" - 66" Widths)

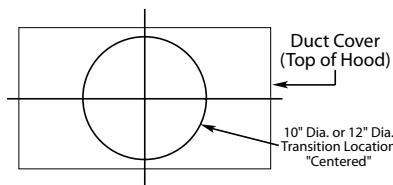


1200 CFM Double B200 Dual Blowers (Top View)

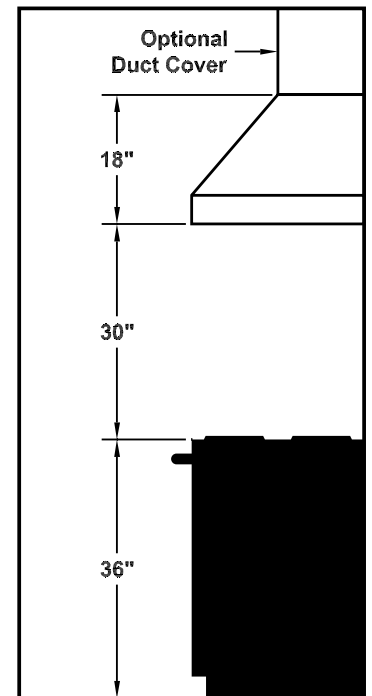


VP563 Standard Transition Installed (Front View)

The transition shown (VP562 & VP563) is installed in the hood at the factory as a standard item. It will be located in the exact center of the duct cover (left to right & front to rear).



Recommended Mounting Height



*Recommended mounting height is for optimum performance.

Electrical/Mechanical Specifications For Blower Units

Model	Volts	Amps*	Hz	RPM	CFM SP@0.0"	Equivalent CFM*	CFM SP@0.1"	CFM SP@0.2"	CFM SP@0.3"	Minimum Round Duct Size	Sones#
B200 Dual & B100 Single	115	4.4	60	1550	900	1350	804	725	655	10" (79 in. ²)	6.3
Two B200 Duals	115	5.8	60	1550	1200	1800	1062	960	860	12" (113 in. ²)	6.6

* Add 0.5 amp for each halogen light. Hood is available halogen lights (3 lights: 42" - 53" 4 lights: 54" - 66").

Because the Magic Lung® blower uses centrifugal filtration rather than conventional baffle or mesh filters, the Magic Lung® blower can handle cooking equipment with higher cubic feet per minute (CFM) requirements and can deliver equivalent CFM much more efficiently than other than other filtration systems. When comparing the Magic Lung® with other blower units made by other manufacturers, use the "Equivalent CFM".

Ratings in accordance with the Standard Test Code by the Energy Systems Laboratory of the Texas Engineering Experiment Station.

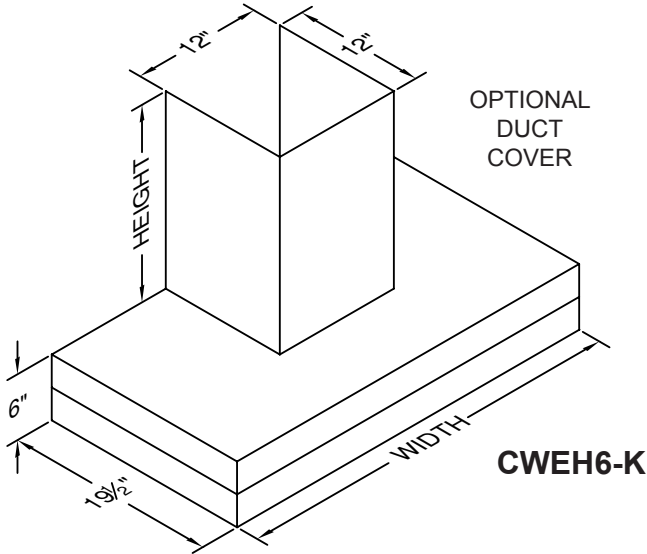
Vent Hood®

**CONTEMPORARY
WALL MOUNT**

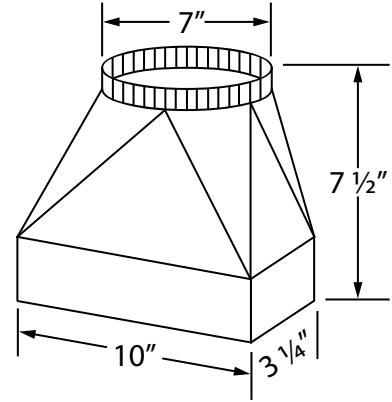
SUBJECT TO CHANGE WITHOUT NOTICE

VentA Hood® WALL MOUNT RANGE HOOD SPECIFICATIONS

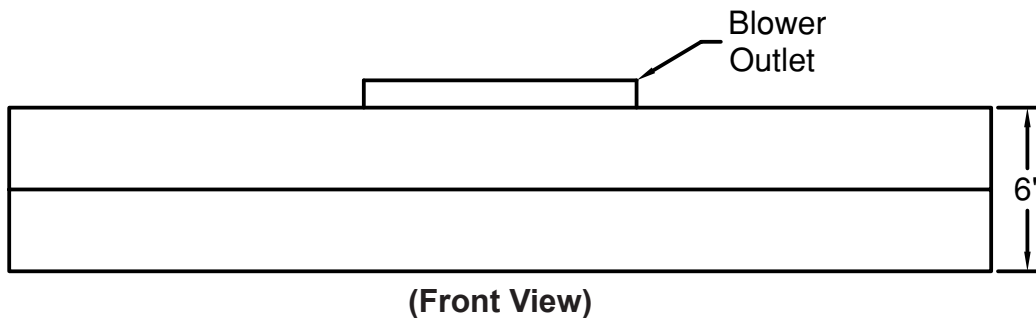
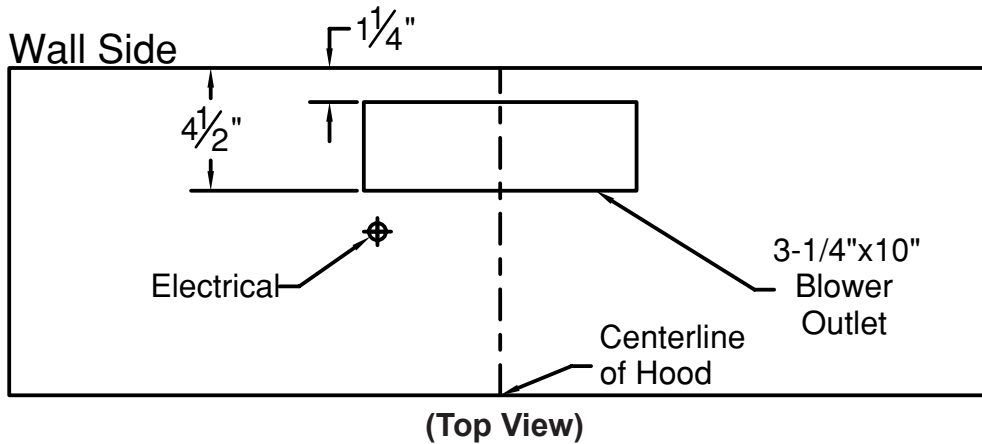
CWEH6-K Equipped with halogen lighting. Not available with heat lamps. Shown with optional duct cover (sold separately). Optional duct covers available in standard and custom sizes. Available in painted and stainless steel finishes. Available in 30", 36", 42", and 48" widths.



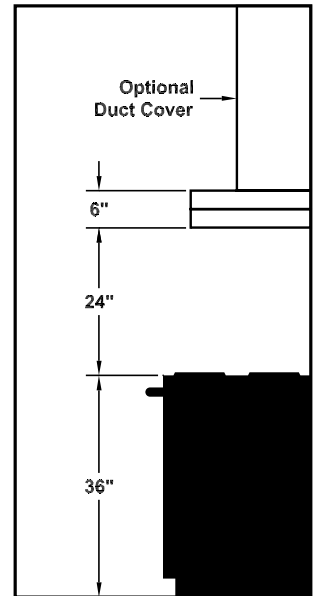
The VP521 transition is available for top vent applications at an additional charge.



Connection Diagram



Recommended Mounting Height*



*Recommended mounting height is for optimum performance.

Electrical/Mechanical Specifications For Blower Units

Model	Volts	Amps*	Hz	RPM	CFM SP@0.0"	Equivalent CFM*	CFM SP@0.1"	CFM SP@0.2"	CFM SP@0.3"	Minimum Round Duct Size	Sones#
K250 (Top Vent)	115	2.2	60	1550	250	375	223	220	190	7" (38 in. ²)	7.4

* Add 0.5 amp for each halogen light. Hood is available with halogen lights (2 lights: 30" & 36", 3 lights: 42" & 48").

Because the Magic Lung® blower uses centrifugal filtration rather than conventional baffle or mesh filters, the Magic Lung® blower can handle cooking equipment with higher cubic feet per minute (CFM) requirements and can deliver equivalent CFM much more efficiently than other filtration systems. When comparing the Magic Lung® with other blower units made by other manufacturers, use the "Equivalent CFM".

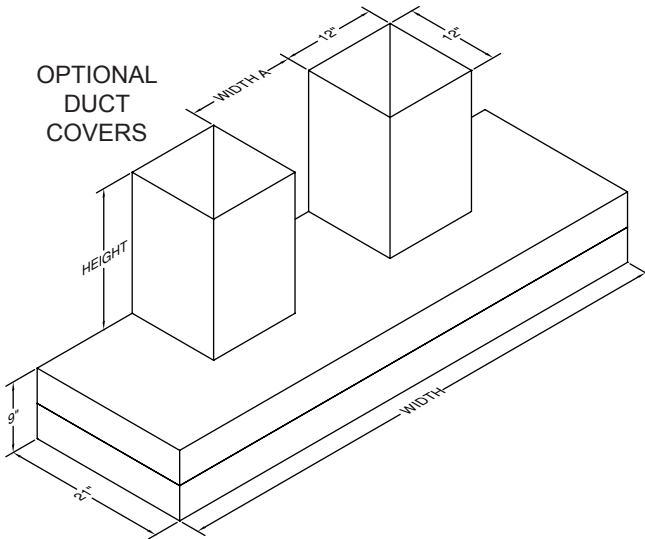
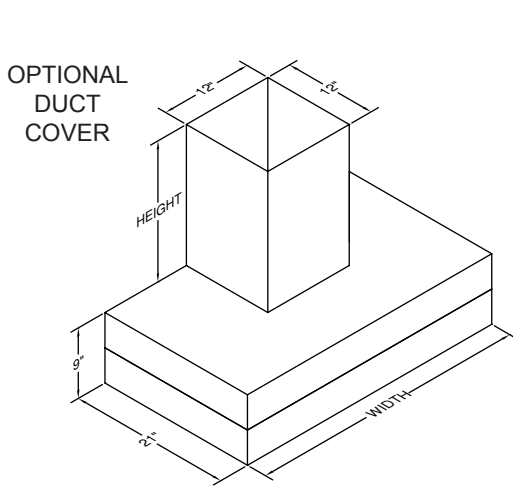
Ratings in accordance with the Standard Test Code by the Energy Systems Laboratory of the Texas Engineering Experiment Station.

SPECIFICATIONS SUBJECT TO CHANGE WITHOUT NOTICE Rev. 0412A



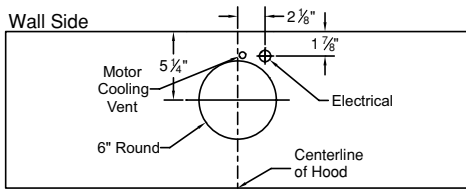
Vent-A-Hood® WALL MOUNT RANGE HOOD SPECIFICATIONS

CWEH9 Equipped with halogen lighting. Not available with heat lamps. Shown with optional duct cover(s) (sold separately). Optional duct covers are available in standard and custom sizes.



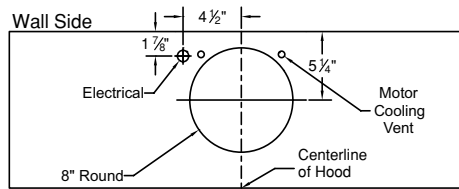
Space Between Duct Covers	
Model	Width A
CWEH9-342	4"
CWEH9-348	8"
CWEH9-354	10"
CWEH9-360	12"
CWEH9-448	10"
CWEH9-454	10"
CWEH9-460	12"
CWEH9-466	14"

Connection Diagram (30"- 48" Widths)



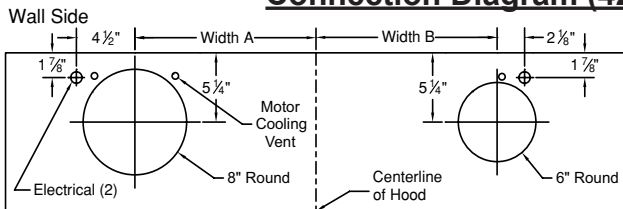
300 CFM B100 Single Blower (Top View)

Connection Diagram (30"- 54" Widths)



600 CFM B200 Dual Blower (Top View)

Connection Diagram (42"- 60" Widths)

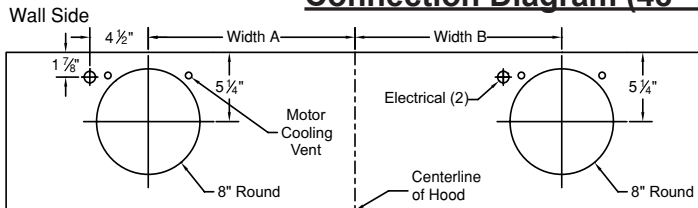


900 CFM B200 Dual & B100 Single Blower (Top View)

Model	Width A	Width B
CWEH9-342	8"	8"
CWEH9-348	10"	10"
CWEH9-354	11"	11"
CWEH9-360	12"	12"

Outlet Spacing for 900 CFM Models

Connection Diagram (48"- 66" Widths)

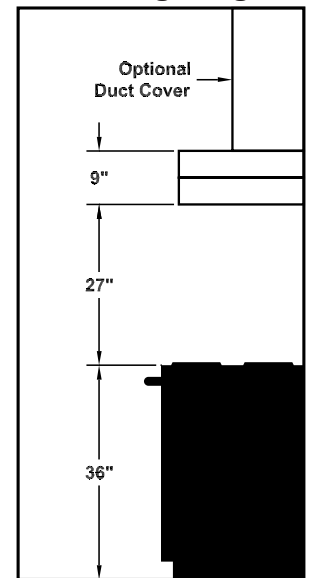


1200 CFM Double B200 Dual Blowers (Top View)

Model	Width A	Width B
CWEH9-448	11"	11"
CWEH9-454	11"	11"
CWEH9-460	12"	12"
CWEH9-466	13"	13"

Outlet Spacing for 1200 CFM Models

Recommended Mounting Height*



*Recommended mounting height is for optimum performance.

Electrical/Mechanical Specifications For Blower Units

Model	Volts	Amps*	Hz	RPM	CFM SP@0.0"	Equivalent CFM*	CFM SP@0.1"	CFM SP@0.2"	CFM SP@0.3"	Minimum Round Duct Size	Sones#
B100 Single	115	1.5	60	1550	300	450	273	245	225	6" (28 in. ²)	5.4
B200 Dual	115	2.9	60	1550	600	900	531	480	430	8" (50 in. ²)	6.5
B200 Dual & B100 Single	115	4.4	60	1550	900	1350	804	725	655	VP562: 10" (79 in. ²)	6.3
Two B200 Duals	115	5.8	60	1550	1200	1800	1062	960	860	VP563: 12" (113 in. ²)	6.6

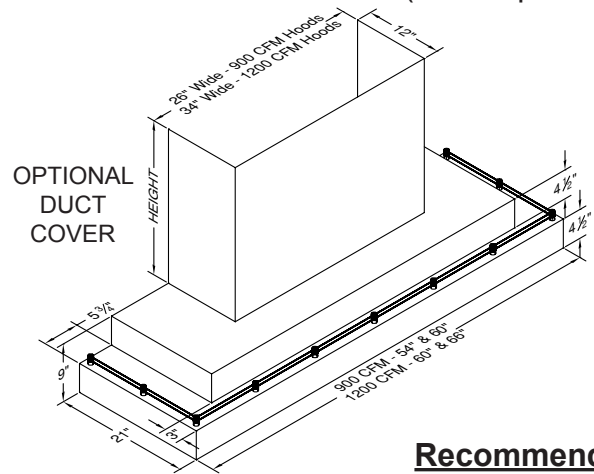
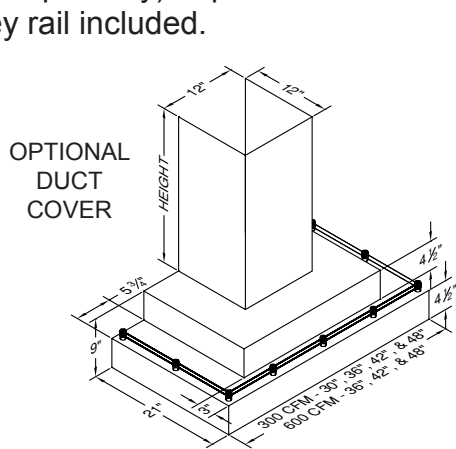
* Add 0.5 amp for each halogen light. Hood is available with halogen lights (2 lights: 30" - 41", 3 lights: 42" - 53", 4 lights: 54" - 66", +1 light for each 14" if over 66").

Because the Magic Lung® blower uses centrifugal filtration rather than conventional baffle or mesh filters, the Magic Lung® blower can handle cooking equipment with higher cubic feet per minute (CFM) requirements and can deliver equivalent CFM much more efficiently than other than other filtration systems. When comparing the Magic Lung® with other blower units made by other manufacturers, use the "Equivalent CFM".

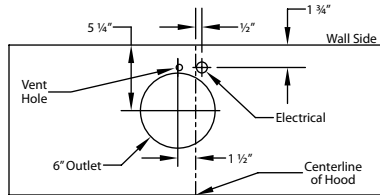
Ratings in accordance with the Standard Test Code by the Energy Systems Laboratory of the Texas Engineering Experiment Station.

Vent Hood® WALL MOUNT RANGE HOOD SPECIFICATIONS

CWLH9 Equipped with halogen lighting. Not available with heat lamps. Shown with optional duct cover (sold separately). Optional duct covers are available in standard and custom sizes (sold separately). Galley rail included.

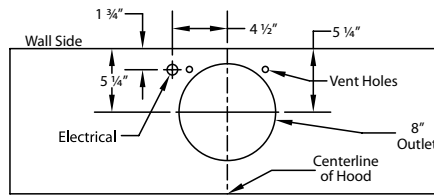


Connection Diagram (30" - 48" Widths)



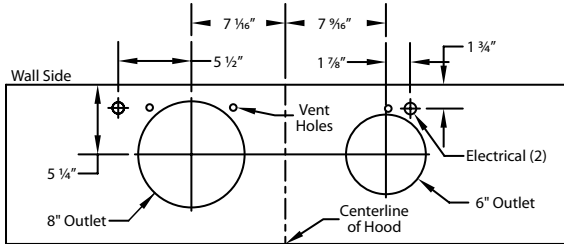
300 CFM B100 Single Blower (Top View)

Connection Diagram (36" - 48" Widths)

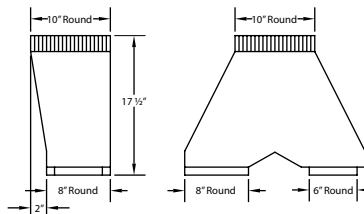


600 CFM B200 Dual Blower (Top View)

Connection Diagram (54" - 60" Widths)

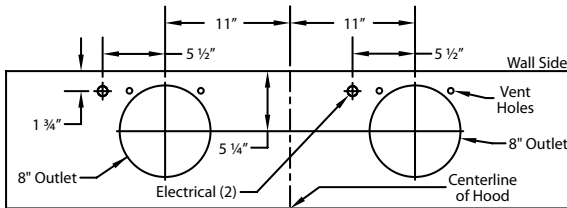


900 CFM B200 Dual & B100 Single Blower (Top View)

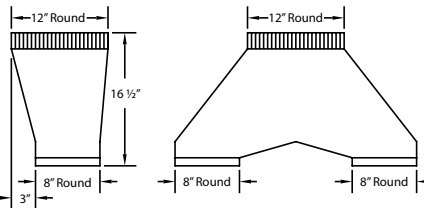


VP562 Transition (Optional) for B300 (B200 Dual & B100 Single Blower)

Connection Diagram (60" - 66" Widths)

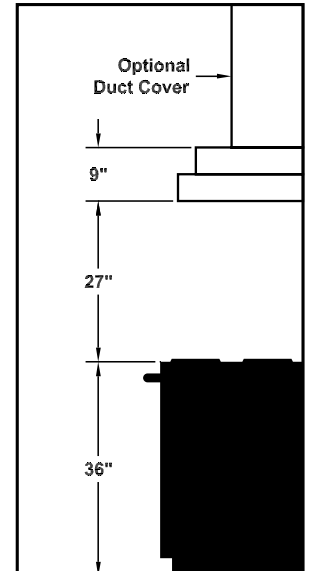


1200 CFM Double B200 Dual Blowers (Top View)

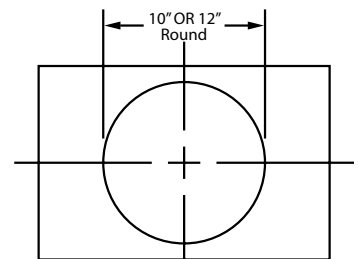


VP563 Transition (Optional) for B400 (For Double B200 Dual Blowers)

Recommended Mounting Height*



*Recommended mounting height is for optimum performance.



VP562/VP563 transition centers outlet over top of hood

Electrical/Mechanical Specifications For Blower Units

Model	Volts	Amps*	Hz	RPM	CFM SP@0.0"	Equivalent CFM*	CFM SP@0.1"	CFM SP@0.2"	CFM SP@0.3"	Minimum Round Duct Size	Sones#
B100 Single	115	1.5	60	1550	300	450	273	245	225	6" (28 in. ²)	5.4
B200 Dual	115	2.9	60	1550	600	900	531	480	430	8" (50 in. ²)	6.5
B200 Dual & B100 Single	115	4.4	60	1550	900	1350	804	725	655	VP562: 10" (79 in. ²)	6.3
Two B200 Duals	115	5.8	60	1550	1200	1800	1062	960	860	VP563: 12" (113 in. ²)	6.6

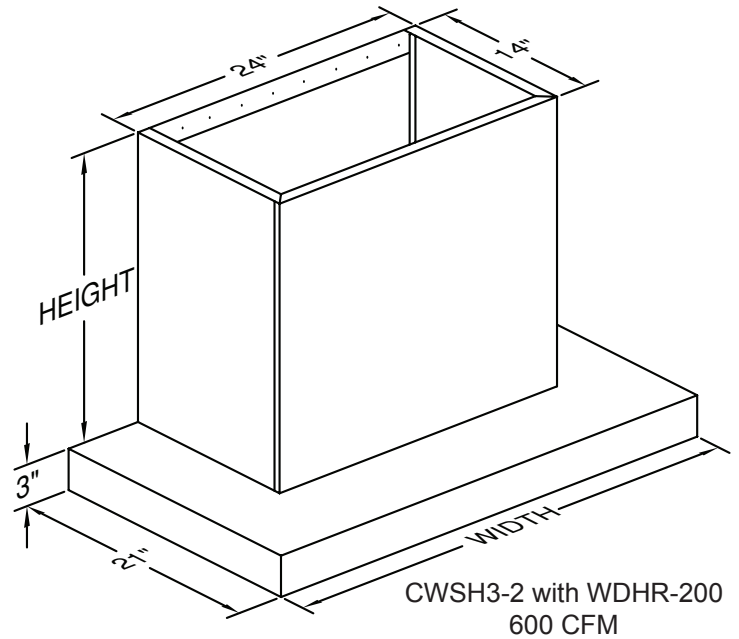
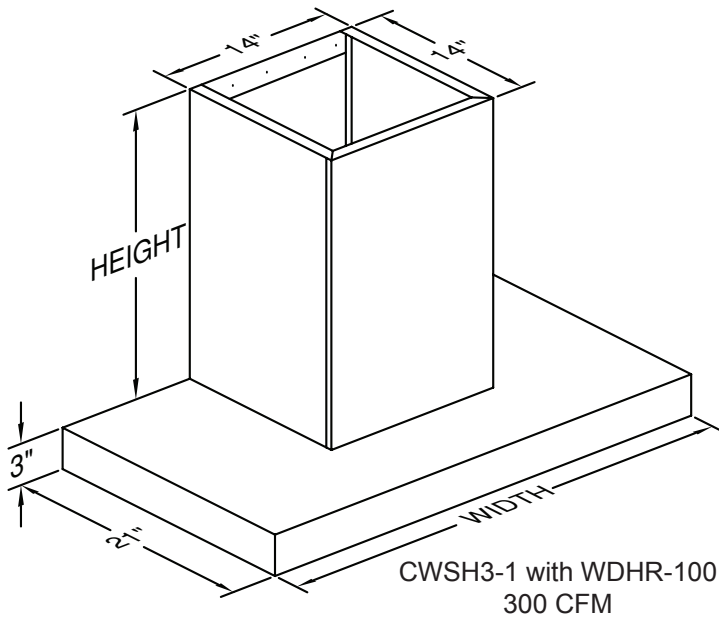
* Add 0.5 amp for each halogen light. Hood is available with halogen lights (2 lights: 30" - 41", 3 lights: 42" - 53", 4 lights: 54" - 66", +1 light for each 14" if over 66").

Because the Magic Lung® blower uses centrifugal filtration rather than conventional baffle or mesh filters, the Magic Lung® blower can handle cooking equipment with higher cubic feet per minute (CFM) requirements and can deliver equivalent CFM much more efficiently than other than other filtration systems. When comparing the Magic Lung® with other blower units made by other manufacturers, use the "Equivalent CFM".

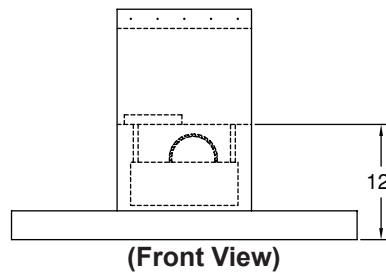
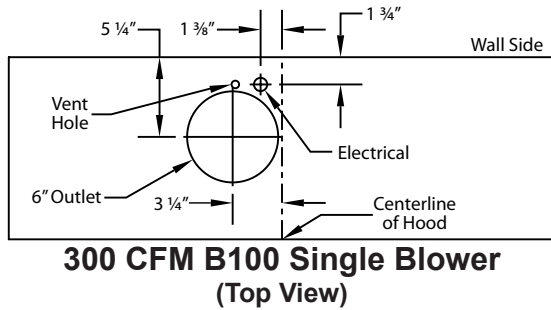
Ratings in accordance with the Standard Test Code by the Energy Systems Laboratory of the Texas Engineering Experiment Station.

Vent Hood® WALL MOUNT RANGE HOOD SPECIFICATIONS

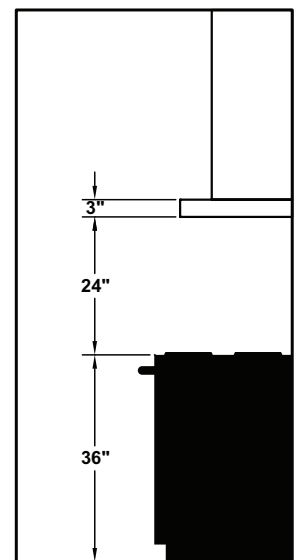
CWSH3 Equipped with halogen lighting. Not available with heat lamps. Available in 30", 36", and 42" widths. Shown with required blower/duct cover. Blower/duct covers available in standard sizes for 7' and 8' ceilings. Unit shipped as one assembly.



Connection Diagram (30" - 42" Widths)

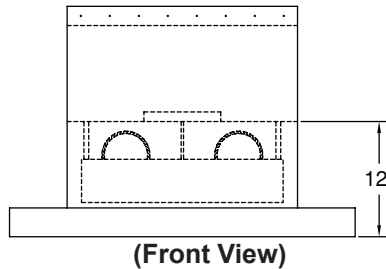
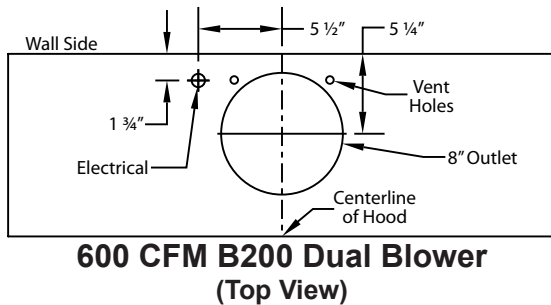


Recommended Mounting Height



*Recommended mounting height is for optimum performance.

Connection Diagram (30"- 42" Widths)



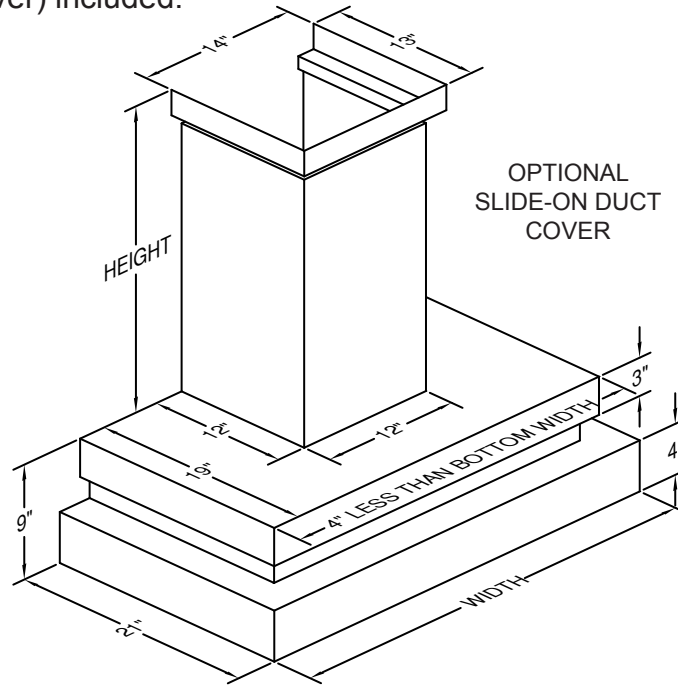
Electrical/Mechanical Specifications For Blower Units

Model	Volts	Amps*	Hz	RPM	CFM SP@0.0"	Equivalent CFM*	CFM SP@0.1"	CFM SP@0.2"	CFM SP@0.3"	Minimum Round Duct Size	Sones#
B100 Single	115	1.5	60	1550	300	450	273	245	225	6" (28 in. ²)	5.4
B200 Dual	115	2.9	60	1550	600	900	531	480	430	8" (50 in. ²)	6.5

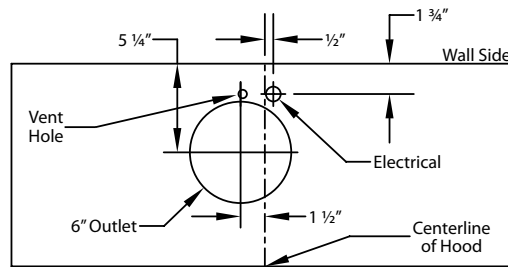
* Add 0.5 amp for each halogen light. Hood is available with halogen lights (2 lights: 30" - 41", 3 lights: 42" - 48", 4 lights: 54").
 • Because the Magic Lung® blower uses centrifugal filtration rather than conventional baffle or mesh filters, the Magic Lung® blower can handle cooking equipment with higher cubic feet per minute (CFM) requirements and can deliver equivalent CFM much more efficiently than other filtration systems. When comparing the Magic Lung® with other blower units made by other manufacturers, use the "Equivalent CFM".
 # Ratings in accordance with the Standard Test Code by the Energy Systems Laboratory of the Texas Engineering Experiment Station.

Vent Hood® WALL MOUNT RANGE HOOD SPECIFICATIONS

CWUH9 Equipped with halogen lighting. Not available with heat lamps. Shown with optional duct cover (sold separately). Optional duct covers available in standard and custom sizes. Mirror stainless steel inserts (hood and duct cover) included.

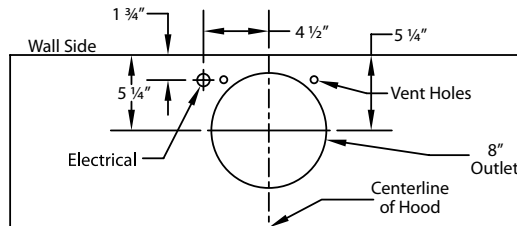


Connection Diagram (30" - 48" Widths)



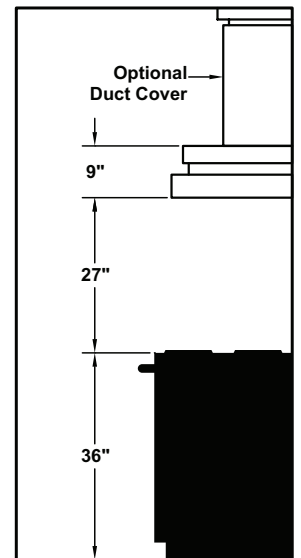
300 CFM B100 Single Blower (Top View)

Connection Diagram (30" - 54" Widths)



600 CFM B200 Dual Blower (Top View)

Recommended Mounting Height



*Recommended mounting height is for optimum performance.

Electrical/Mechanical Specifications For Blower Units

Model	Volts	Amps*	Hz	RPM	CFM SP@0.0"	Equivalent CFM*	CFM SP@0.1"	CFM SP@0.2"	CFM SP@0.3"	Minimum Round Duct Size	Sones#
B100 Single	115	1.5	60	1550	300	450	273	245	225	6" (28 in. ²)	5.4
B200 Dual	115	2.9	60	1550	600	900	531	480	430	8" (50 in. ²)	6.5

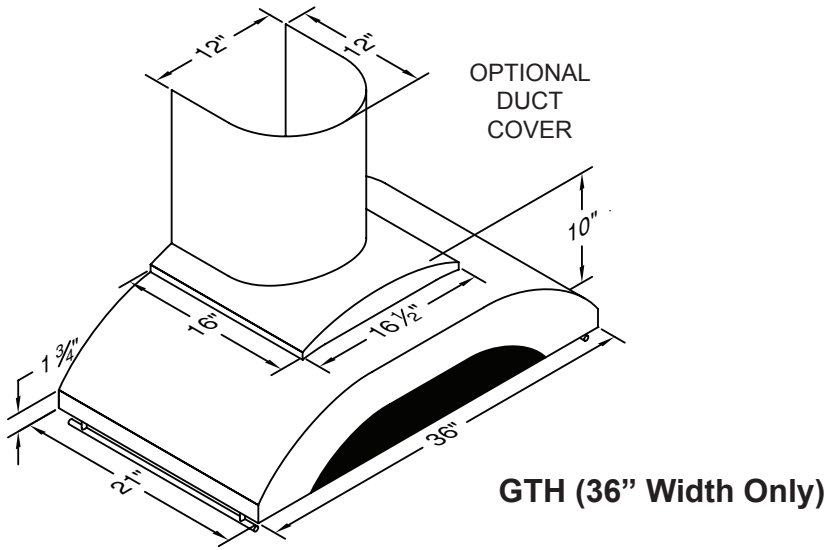
* Add 0.5 amp for each halogen light. Hood is available with halogen lights (2 lights: 30" - 41", 3 lights: 42" - 48", 4 lights: 54").

Because the Magic Lung® blower uses centrifugal filtration rather than conventional baffle or mesh filters, the Magic Lung® blower can handle cooking equipment with higher cubic feet per minute (CFM) requirements and can deliver equivalent CFM much more efficiently than other than other filtration systems. When comparing the Magic Lung® with other blower units made by other manufacturers, use the "Equivalent CFM".

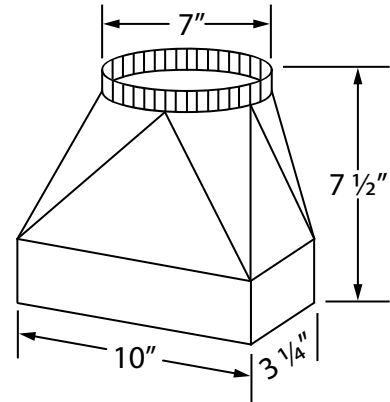
Ratings in accordance with the Standard Test Code by the Energy Systems Laboratory of the Texas Engineering Experiment Station.

VentA Hood® WALL MOUNT RANGE HOOD SPECIFICATIONS

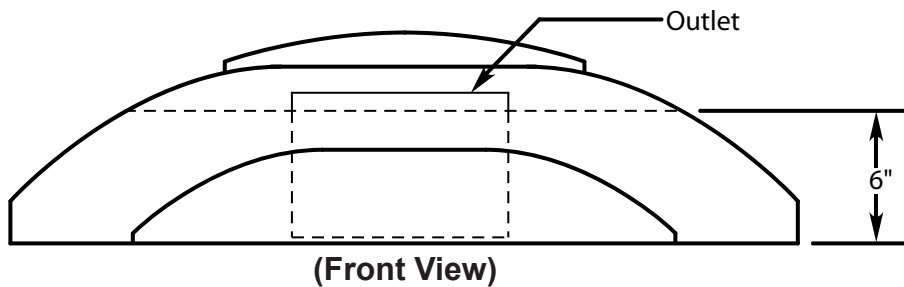
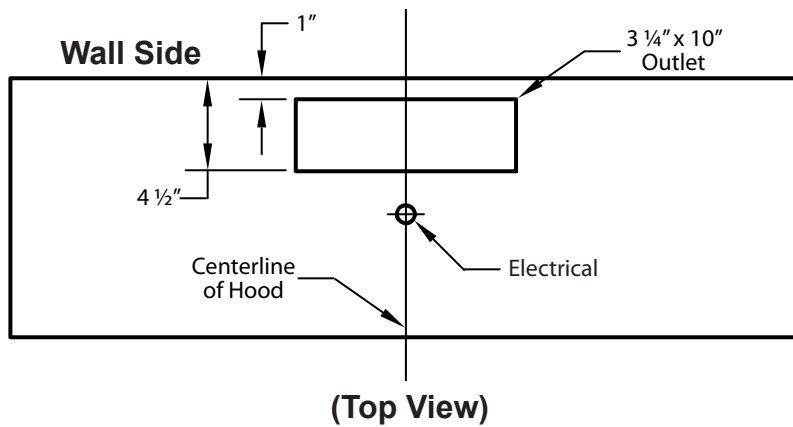
GTH Equipped with halogen lighting. Not available with heat lamps. Available in stainless steel. Shown with optional duct cover (sold separately). Optional duct covers available in standard and custom sizes. Fixed rails included.



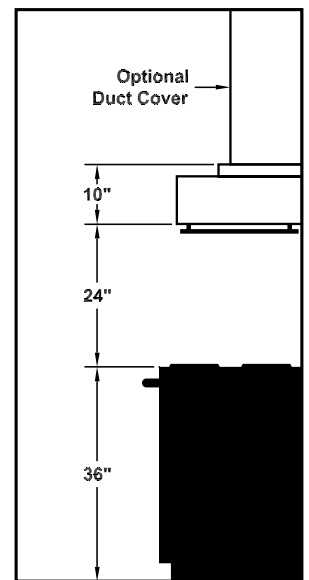
The VP521 transition is available for top vent applications at an additional charge.



Connection Diagram



Recommended Mounting Height*



*Recommended mounting height is for optimum performance.
NOTE: DUCT COVER EXTENDS 4" INTO TOP OF HOOD.

Electrical/Mechanical Specifications For Blower Units

Model	Volts	Amps	Hz	RPM	CFM SP@0.0"	Equivalent CFM*	CFM SP@0.1"	CFM SP@0.2"	CFM SP@0.3"	Minimum Round Duct Size	Sones#
K250 (Top Vent)	115	3.2	60	1550	250	375	223	220	190	7" (38 in. ²)	7.4

All K-Series hoods have two halogen lights.

* Because the Magic Lung® blower uses centrifugal filtration rather than conventional baffle or mesh filters, the Magic Lung® blower can handle cooking equipment with higher cubic feet per minute (CFM) requirements and can deliver equivalent CFM much more efficiently than other filtration systems. When comparing the Magic Lung® with other blower units made by other manufacturers, use the "Equivalent CFM".

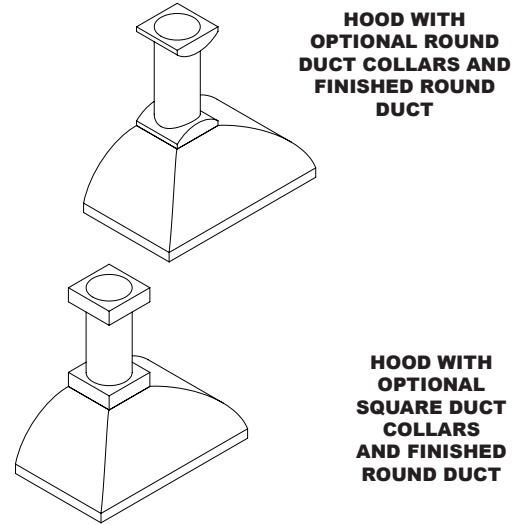
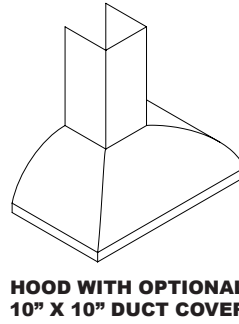
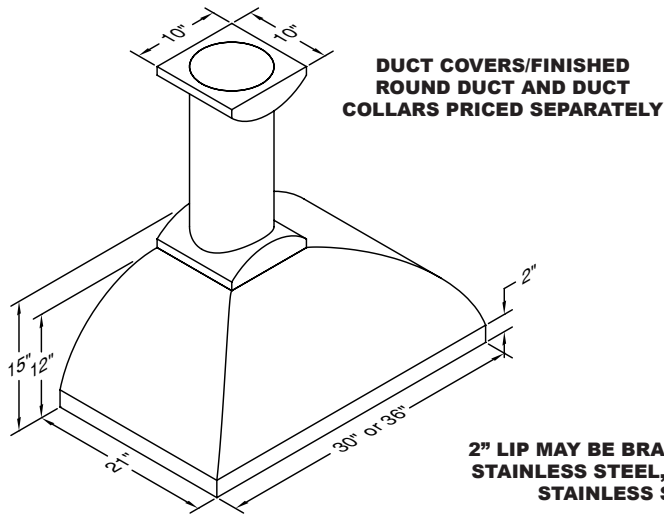
Ratings in accordance with the Standard Test Code by the Energy Systems Laboratory of the Texas Engineering Experiment Station.

SPECIFICATIONS SUBJECT TO CHANGE WITHOUT NOTICE Rev. 0412A



VentA Hood® WALL MOUNT RANGE HOOD SPECIFICATIONS

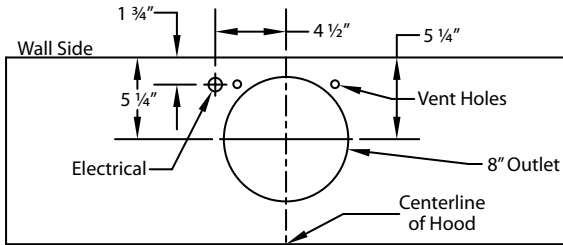
XLH12 Equipped with halogen lighting. Not available with heat lamps. Available in stainless steel. Optional duct covers/finished duct available in standard and custom sizes (sold separately).



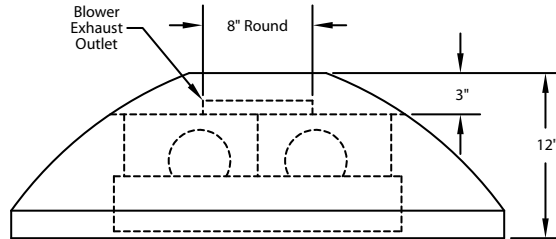
2" LIP MAY BE BRASS, COPPER, STAINLESS STEEL, OR MIRROR STAINLESS STEEL

XLH12

Connection Diagram (30" & 36" Widths)

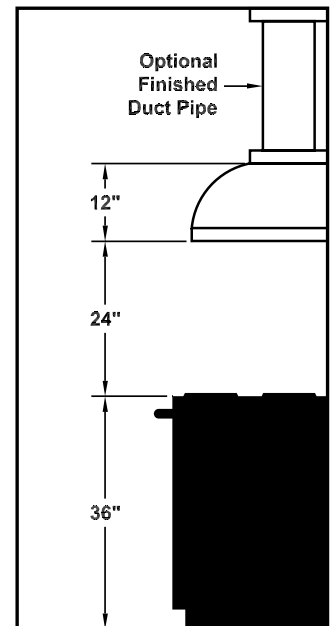


(Top View)



(Front View)

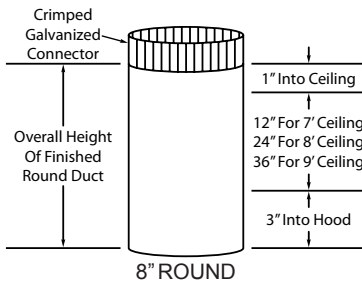
Recommended Mounting Height*



*Recommended mounting height is for optimum performance.

NOTE: DUCT PIPE EXTENDS 3" INTO TOP OF HOOD AND 1" INTO CEILING.

FINISHED ROUND DUCT (REQUIRES TWO DUCT COLLARS)

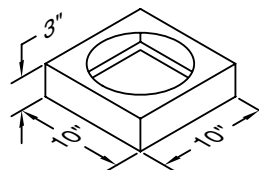
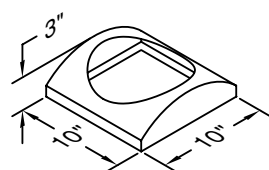


8" ROUND

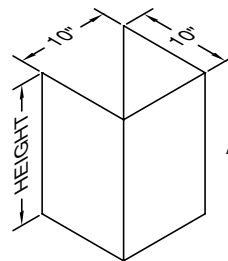
NOTE: TOP END OF FINISHED ROUND DUCT IS CRIMPED TO ALLOW FOR DUCT CONNECTION IN THE CEILING (CRIMP IS NOT INCLUDED IN THE OVERALL HEIGHT OF THE FINISHED ROUND DUCT).

NOTE: WHEN PRICING CUSTOM FINISHED ROUND DUCT, INCLUDE THE 3" THAT EXTENDS INTO TOP OF HOOD AND 1" THAT EXTENDS INTO CEILING (4" TOTAL.) TOTAL OVERALL HEIGHT CANNOT EXCEED 60" (10' 8" CEILING).

ROUND DUCT COLLAR SQUARE DUCT COLLAR



10" x 10" SQUARE DUCT COVER



CUSTOM SIZES ALSO AVAILABLE

Electrical/Mechanical Specifications For Blower Units

Model	Volts	Amps	Hz	RPM	CFM SP@0.0"	Equivalent CFM*	CFM SP@0.1"	CFM SP@0.2"	CFM SP@0.3"	Minimum Round Duct Size	Sones#
B200 Dual	115	3.9	60	1550	600	900	531	480	430	8" (50 in. ²)	6.5

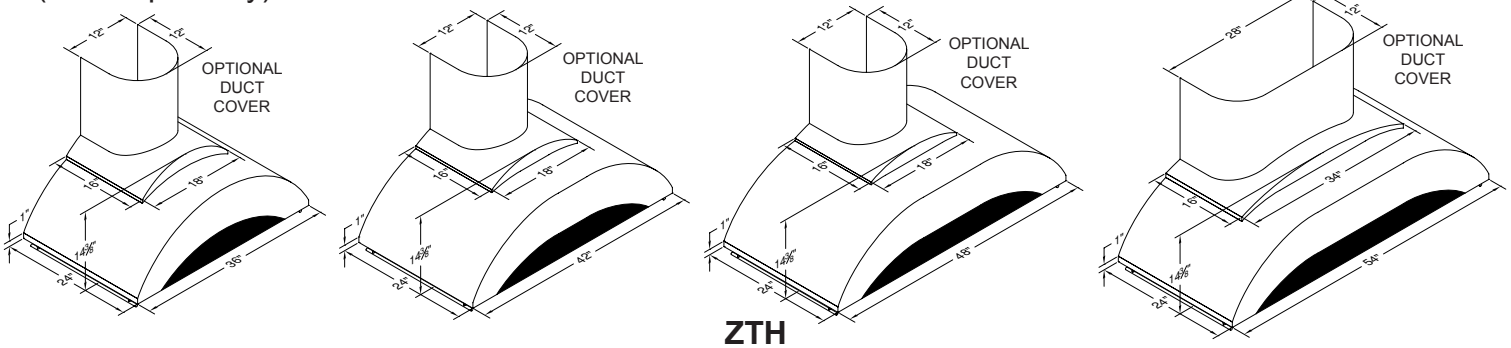
Hood has two halogen lights.

* Because the Magic Lung® blower uses centrifugal filtration rather than conventional baffle or mesh filters, the Magic Lung® blower can handle cooking equipment with higher cubic feet per minute (CFM) requirements and can deliver equivalent CFM much more efficiently than other than other filtration systems. When comparing the Magic Lung® with other blower units made by other manufacturers, use the "Equivalent CFM".

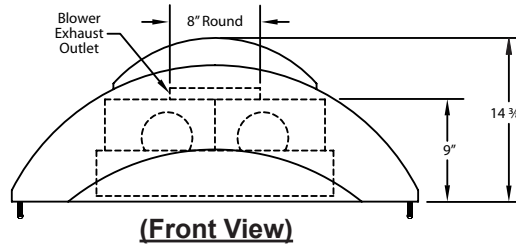
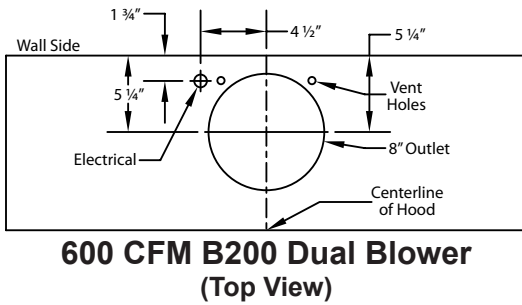
Ratings in accordance with the Standard Test Code by the Energy Systems Laboratory of the Texas Engineering Experiment Station.

Vent-A-Hood® WALL MOUNT RANGE HOOD SPECIFICATIONS

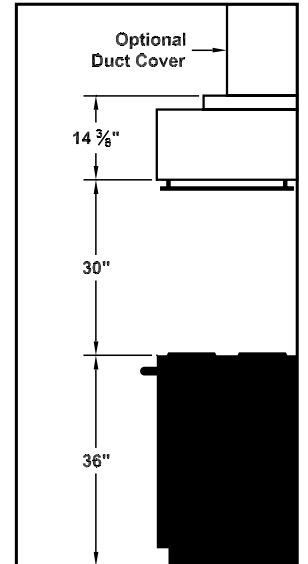
ZTH Equipped with halogen lighting. Not available with heat lamps. Available in stainless steel. Shown with optional duct cover (sold separately). Optional duct covers available in standard and custom sizes (sold separately). Fixed rails included.



Connection Diagram (36"- 48" Widths)

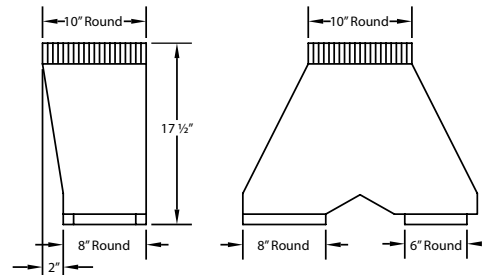
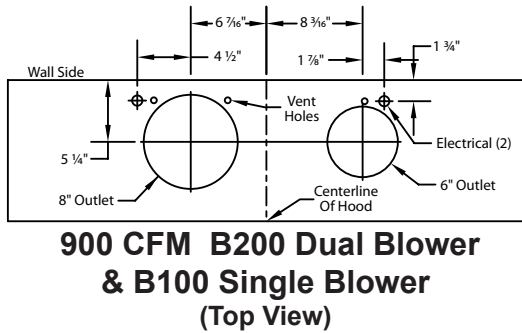


Recommended Mounting Height*

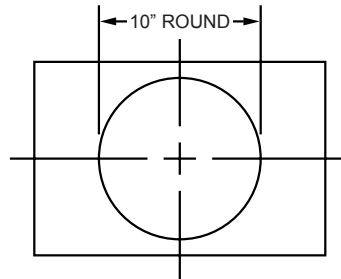
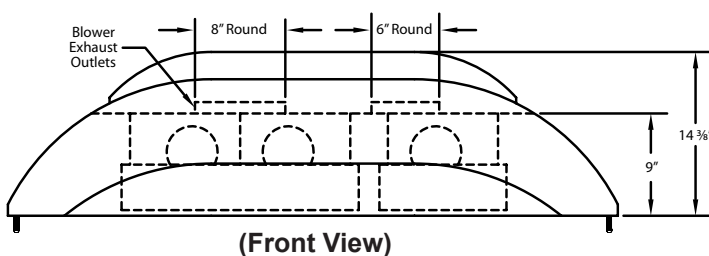


*Recommended mounting height is for optimum performance.
NOTE: DUCT COVER EXTENDS 5 3/8" INTO TOP OF HOOD.

Connection Diagram (54" Width)



VP562 Transition (Optional) For B300 For B200 Dual and B100 Single Blower



VP562 transition centers outlet over top of hood

Electrical/Mechanical Specifications For Blower Units

Model	Volts	Amps	Hz	RPM	CFM SP@0.0"	Equivalent CFM*	CFM SP@0.1"	CFM SP@0.2"	CFM SP@0.3"	Minimum Round Duct Size	Sones#
B200 Dual	115	4.9	60	1550	600	900	531	480	430	8" (50 in. ²)	6.5
B200 Dual & B100 Single	115	6.4	60	1550	900	1350	804	725	655	VP562: 10" (79 in. ²)	6.3

Hood has four halogen lights (one light in each corner).

* Because the Magic Lung® blower uses centrifugal filtration rather than conventional baffle or mesh filters, the Magic Lung® blower can handle cooking equipment with higher cubic feet per minute (CFM) requirements and can deliver equivalent CFM much more efficiently than other filtration systems. When comparing the Magic Lung® with other blower units made by other manufacturers, use the "Equivalent CFM".

Ratings in accordance with the Standard Test Code by the Energy Systems Laboratory of the Texas Engineering Experiment Station.

SPECIFICATIONS SUBJECT TO CHANGE WITHOUT NOTICE Rev. 0412A



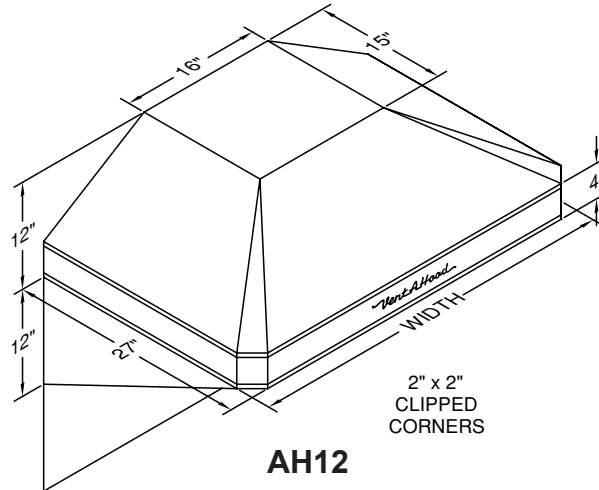
Vent Hood®

RETRO STYLE
SUBJECT TO CHANGE WITHOUT NOTICE

VentA Hood® RETRO STYLE WALL MOUNT RANGE HOOD SPECIFICATIONS

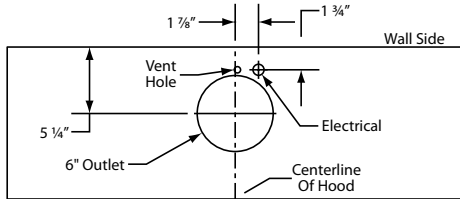
AH12 Equipped with halogen lighting. Not available with heat lamps. Painted round duct and ceiling collar are priced separately.

Includes side wing panels and splash panel. Splash panel is 30" tall x hood width.

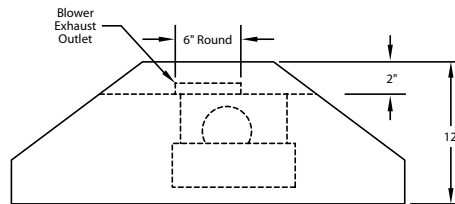


Connection Diagram (30" - 48" Widths)

30" Model is Limited to B100 Single Blower Only

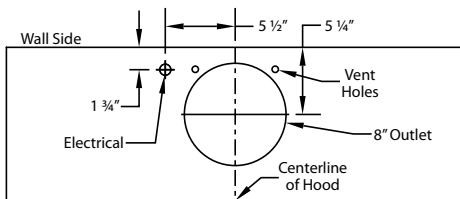


300 CFM B100 Single Blower (Top View)

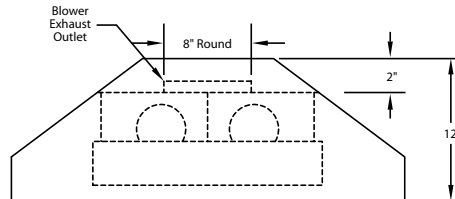


(Front View)

Connection Diagram (36" - 48" Widths)

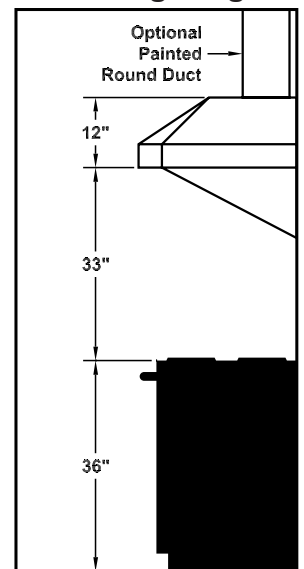


600 CFM B200 Dual Blower (Top View)



(Front View)

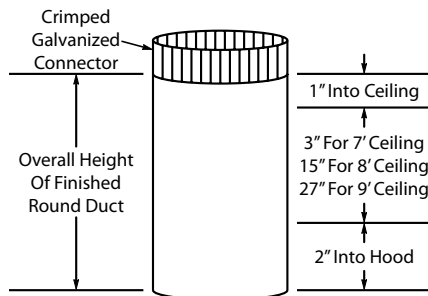
Recommended Mounting Height*



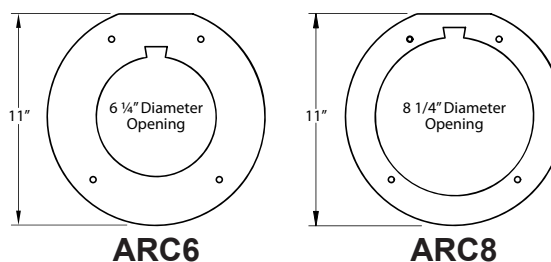
*Recommended mounting height is for optimum performance.

NOTE: DUCT PIPE EXTENDS 2" INTO TOP OF HOOD AND 1" INTO CEILING.

Optional Painted Round Duct



Optional Ceiling Collars



Electrical/Mechanical Specifications For Blower Units

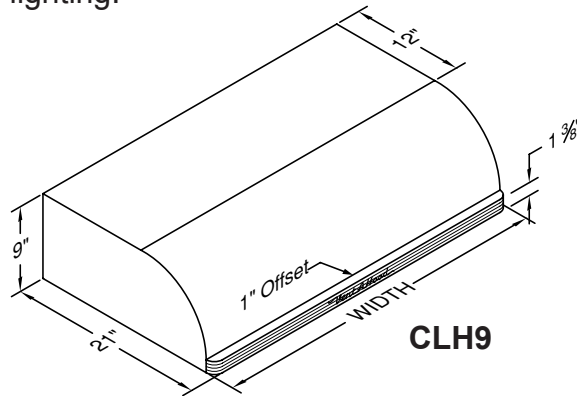
Model	Volts	Amps*	Hz	RPM	CFM SP@0.0"	Equivalent CFM*	CFM SP@0.1"	CFM SP@0.2"	CFM SP@0.3"	Minimum Round Duct Size	Sones#
B100 Single	115	1.5	60	1550	300	450	273	245	225	6" (28 in. ²)	5.4
B200 Dual	115	2.9	60	1550	600	900	531	480	430	8" (50 in. ²)	6.5

* Add 0.5 amp for each halogen light. Hood is available with halogen lights (2 lights: 30" - 41", 3 lights: 42" - 48").

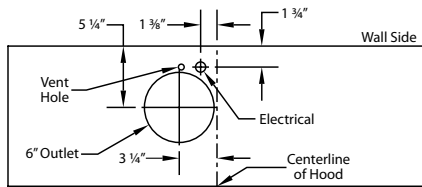
Because the Magic Lung® blower uses centrifugal filtration rather than conventional baffle or mesh filters, the Magic Lung® blower can handle cooking equipment with higher cubic feet per minute (CFM) requirements and can deliver equivalent CFM much more efficiently than other than other filtration systems. When comparing the Magic Lung® with other blower units made by other manufacturers, use the "Equivalent CFM".

Ratings in accordance with the Standard Test Code by the Energy Systems Laboratory of the Texas Engineering Experiment Station.

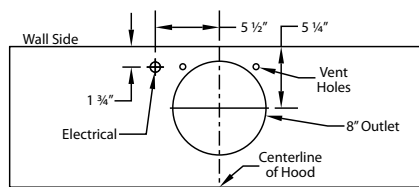
CLH9 Equipped with halogen lighting.



Connection Diagram (30" - 48" Widths)

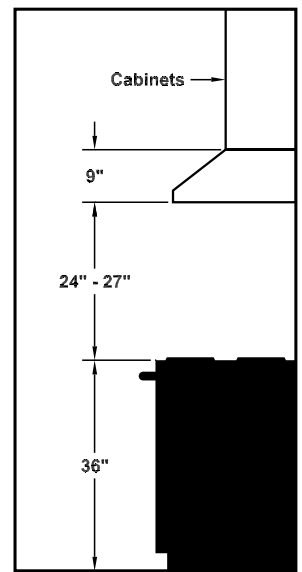


300 CFM B100 Single Blower (Top View)



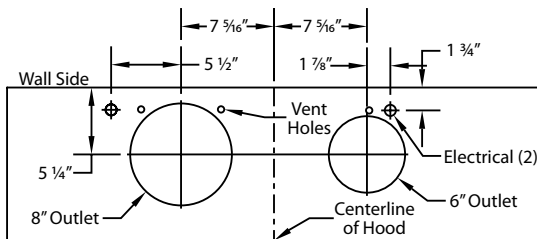
600 CFM B200 Dual Blower (Top View)

Recommended Mounting Height*

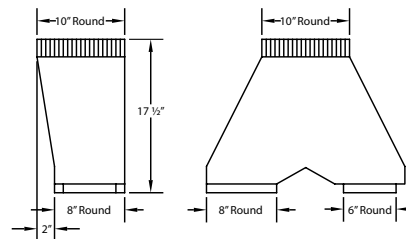


*Recommended mounting height is for optimum performance.

Connection Diagram (42" - 48" Widths)

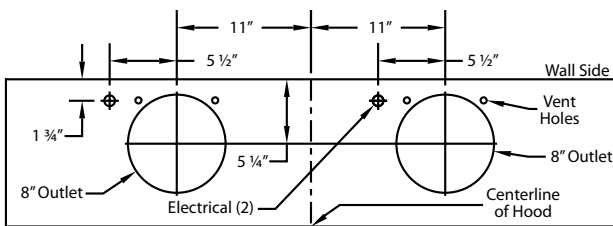


900 CFM B200 Dual & B100 Single Blower (Top View)

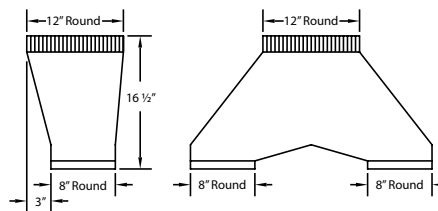


VP562 Transition (Optional) For B300 (B200 Dual Blower & B100 Single Blower)

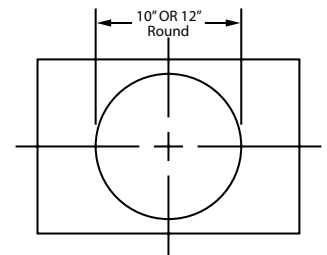
Connection Diagram (48" Width)



1200 CFM Double B200 Dual Blowers (Top View)



VP563 Transition (Optional) For B400 (Double B200 Dual Blowers)



VP562/VP563 transition centers outlet over top of hood

Electrical/Mechanical Specifications For Blower Units

Model	Volts	Amps*	Hz	RPM	CFM SP@0.0"	Equivalent CFM*	CFM SP@0.1"	CFM SP@0.2"	CFM SP@0.3"	Minimum Round Duct Size	Sones#
B100 Single	115	1.5	60	1550	300	450	273	245	225	6" (28 in. ²)	5.4
B200 Dual	115	2.9	60	1550	600	900	531	480	430	8" (50 in. ²)	6.5
B200 Dual & B100 Single	115	4.4	60	1550	900	1350	804	725	655	VP562: 10" (79 in. ²)	6.3
Two B200 Duals	115	5.8	60	1550	1200	1800	1062	960	860	VP563: 12" (113 in. ²)	6.6

* Add 0.5 amp for each halogen light. Hood is available with halogen lights (2 lights: 30" - 41", 3 lights: 42" - 48").

Because the Magic Lung® blower uses centrifugal filtration rather than conventional baffle or mesh filters, the Magic Lung® blower can handle cooking equipment with higher cubic feet per minute (CFM) requirements and can deliver equivalent CFM much more efficiently than other than other filtration systems. When comparing the Magic Lung® with other blower units made by other manufacturers, use the "Equivalent CFM".

Ratings in accordance with the Standard Test Code by the Energy Systems Laboratory of the Texas Engineering Experiment Station.

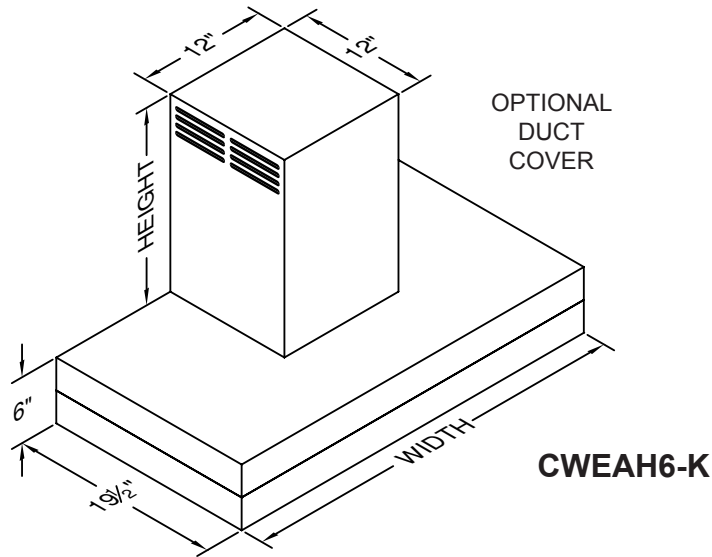
Vent Hood[®]

ARS/DUCT-FREE WALL MOUNT

SUBJECT TO CHANGE WITHOUT NOTICE

Vent-A-Hood® WALL MOUNT RANGE HOOD SPECIFICATIONS

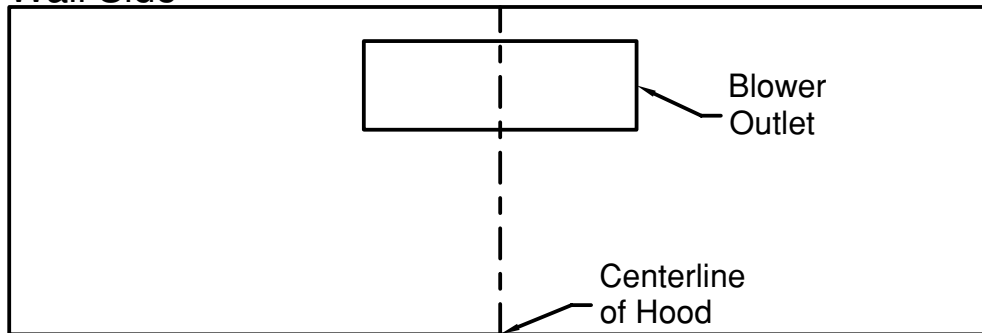
CWEAH6-K Equipped with halogen lighting. Not available with heat lamps. Shown with ARS kit and duct cover (sold separately). Optional duct covers available in standard sizes for 7', 8' and 9' ceilings.



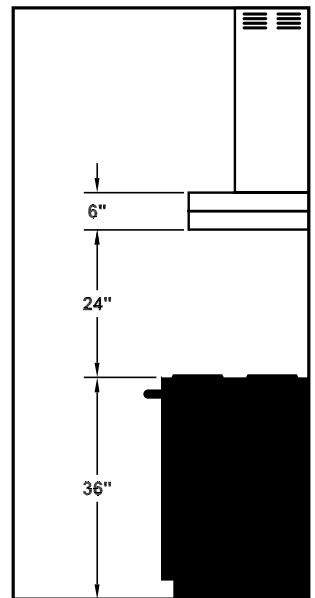
Connection Diagram

Recommended Mounting Height*

Wall Side

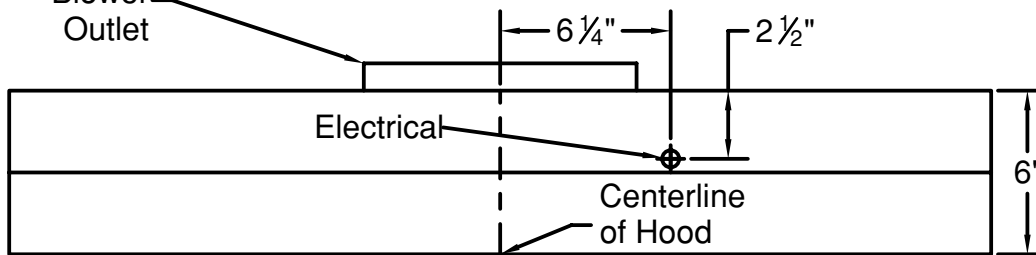


(Top View)



*Recommended mounting height is for optimum performance.

Blower Outlet



(Front View)

Electrical/Mechanical Specifications For Blower Units

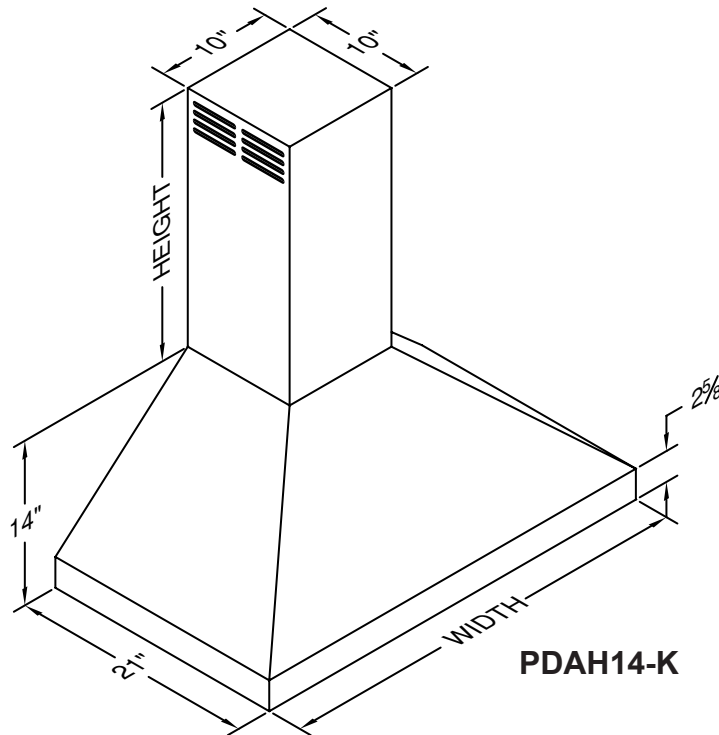
Model	Volts	Amps	Hz	RPM
K250 (Top Vent)	115	4.0	60	1550

SPECIFICATIONS SUBJECT TO CHANGE WITHOUT NOTICE Rev. 0412A

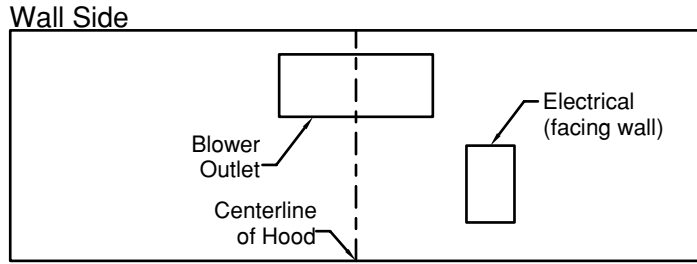


VentA Hood® DUCT-FREE EUROSTYLE WALL MOUNT SPECIFICATIONS

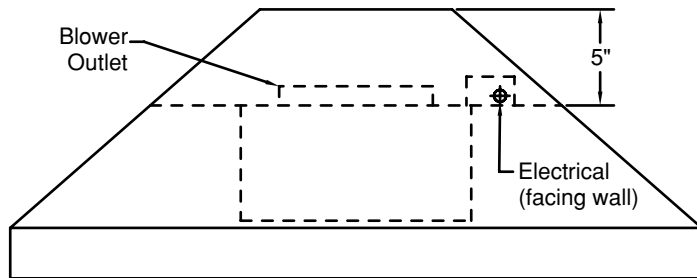
PDAH14-K Equipped with halogen lighting. Not available with heat lamps. Shown with ARS kit and duct cover (sold separately). Optional duct covers available in standard sizes for 8' and 9' ceilings.



Connection Diagram (30" - 48" Widths)

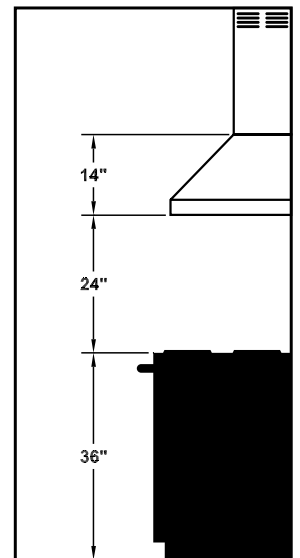


(Top View)



(Front View)

Recommended Mounting Height



*Recommended mounting height is for optimum performance.

Electrical/Mechanical Specifications For Blower Units

Model	Volts	Amps	Hz	RPM
K250 (Top Vent)	115	4.0	60	1550

SPECIFICATIONS SUBJECT TO CHANGE WITHOUT NOTICE Rev. 0412A



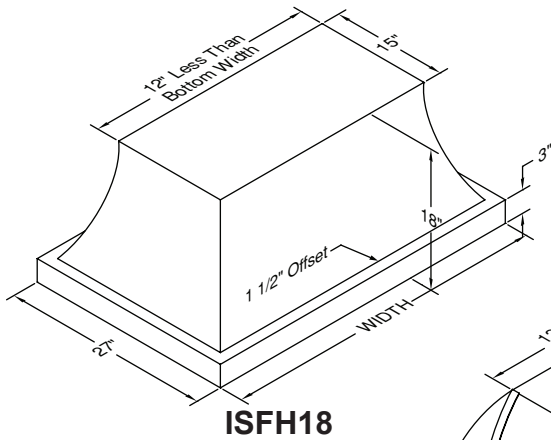
Vent Hood®

ISLAND

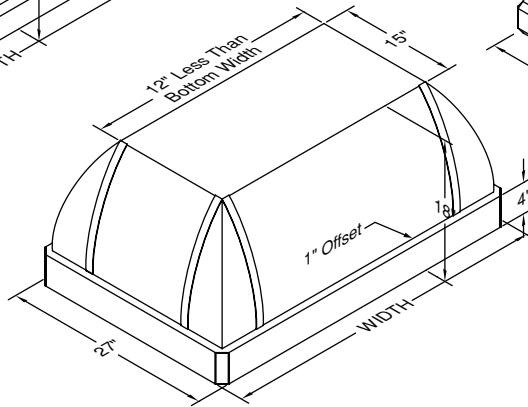
SUBJECT TO CHANGE WITHOUT NOTICE

Vent Hood® ISLAND RANGE HOOD SPECIFICATIONS

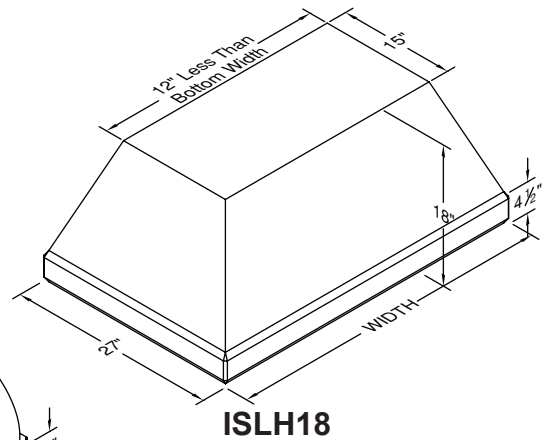
ISFH18/ISLH18/IXRH18 Equipped with halogen lighting. Not available with heat lamps.



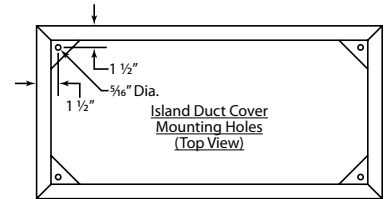
ISFH18



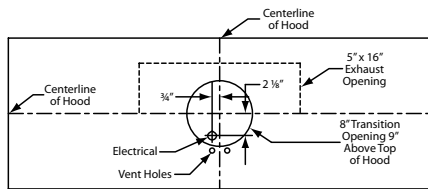
IXRH18



ISLH18

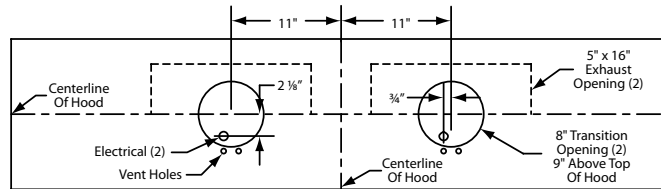


Connection Diagram (36" - 54")



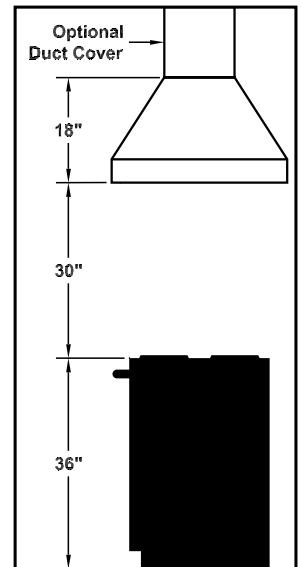
550 CFM T200 Dual Blower (Top View)

Connection Diagram (60" - 66")

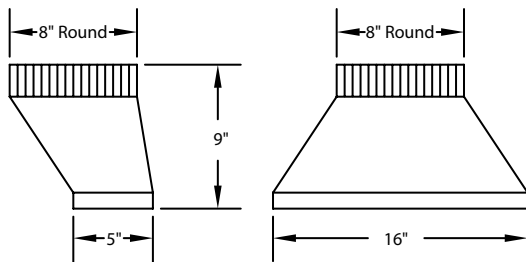


1100 CFM T2+ 200 Dual Blowers (Top View)

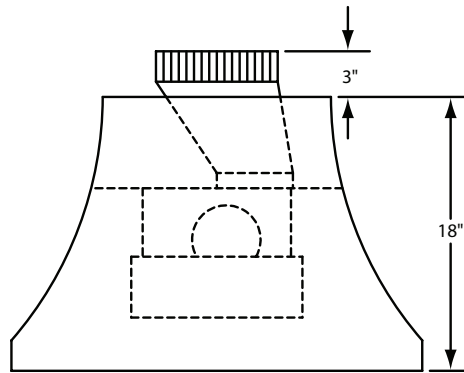
Recommended Mounting Height*



*Recommended mounting height is for optimum performance.



VP565 Standard Transition (Included)



Transition Installed (Side View)

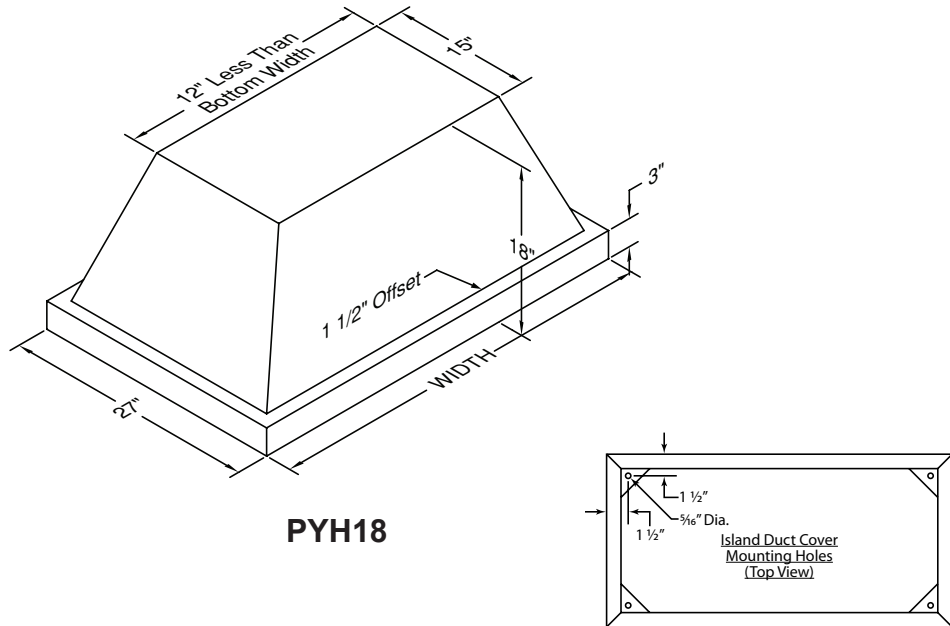
Electrical/Mechanical Specifications For Blower Units

Model	Volts	Amps*	Hz	RPM	CFM SP@0.0"	Equivalent CFM*	CFM SP@0.1"	CFM SP@0.2"	CFM SP@0.3"	Minimum Round Duct Size	Sones#
T200 Island Dual	115	2.9	60	1550	550	900	507	471	431	8" (50 in. ²)	6.0

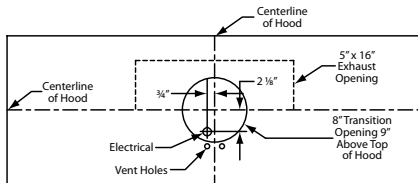
* Add 0.5 amp for each halogen light. Hood is available with halogen lights (4 lights: 36" - 59", 8 lights: 60" - 66", +2 lights for each 14" if over 66").
 # Because the Magic Lung® blower uses centrifugal filtration rather than conventional baffle or mesh filters, the Magic Lung® blower can handle cooking equipment with higher cubic feet per minute (CFM) requirements and can deliver equivalent CFM much more efficiently than other than other filtration systems. When comparing the Magic Lung® with other blower units made by other manufacturers, use the "Equivalent CFM".
 # Ratings in accordance with the Standard Test Code by the Energy Systems Laboratory of the Texas Engineering Experiment Station.

VentA Hood® ISLAND RANGE HOOD SPECIFICATIONS

PYH18 Equipped with halogen lighting. Not available with heat lamps.

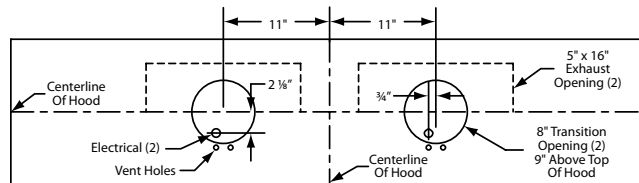


Connection Diagram (36" - 54")



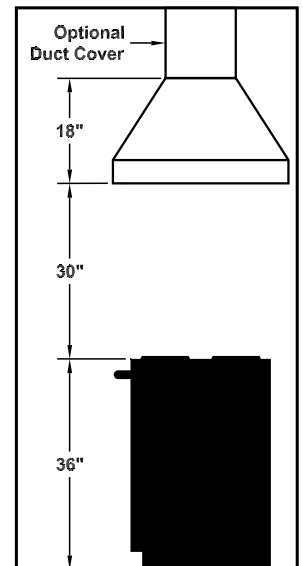
550 CFM T200 Dual Blower (Top View)

Connection Diagram (60" - 66")

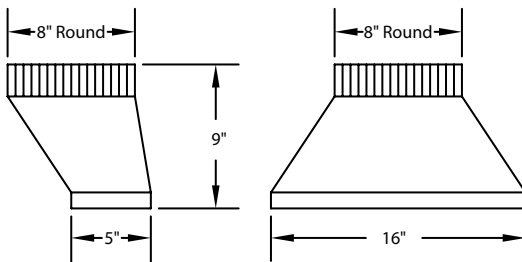


1100 CFM T2+ 200 Dual Blowers (Top View)

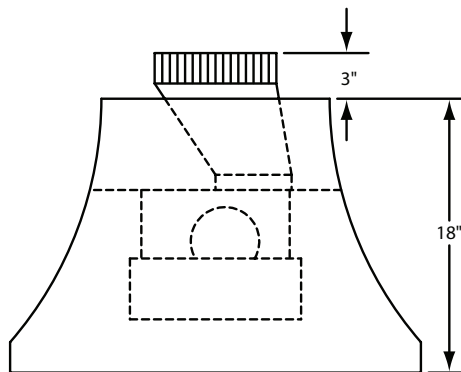
Recommended Mounting Height*



*Recommended mounting height is for optimum performance.



VP565 Standard Transition (Included)



Transition Installed (Side View)

Electrical/Mechanical Specifications For Blower Units

Model	Volts	Amps*	Hz	RPM	CFM SP@0.0"	Equivalent CFM*	CFM SP@0.1"	CFM SP@0.2"	CFM SP@0.3"	Minimum Round Duct Size	Sones#
T200 Island Dual	115	2.9	60	1550	550	900	507	471	431	8" (50 in. ²)	6.0

* Add 0.5 amp for each halogen light. Hood is available halogen lights (4 lights: 36" - 59", 8 lights: 60" - 66", +2 lights for each 14" if over 66").

• Because the Magic Lung® blower uses centrifugal filtration rather than conventional baffle or mesh filters, the Magic Lung® blower can handle cooking equipment with higher cubic feet per minute (CFM) requirements and can deliver equivalent CFM much more efficiently than other filtration systems. When comparing the Magic Lung® with other blower units made by other manufacturers, use the "Equivalent CFM".

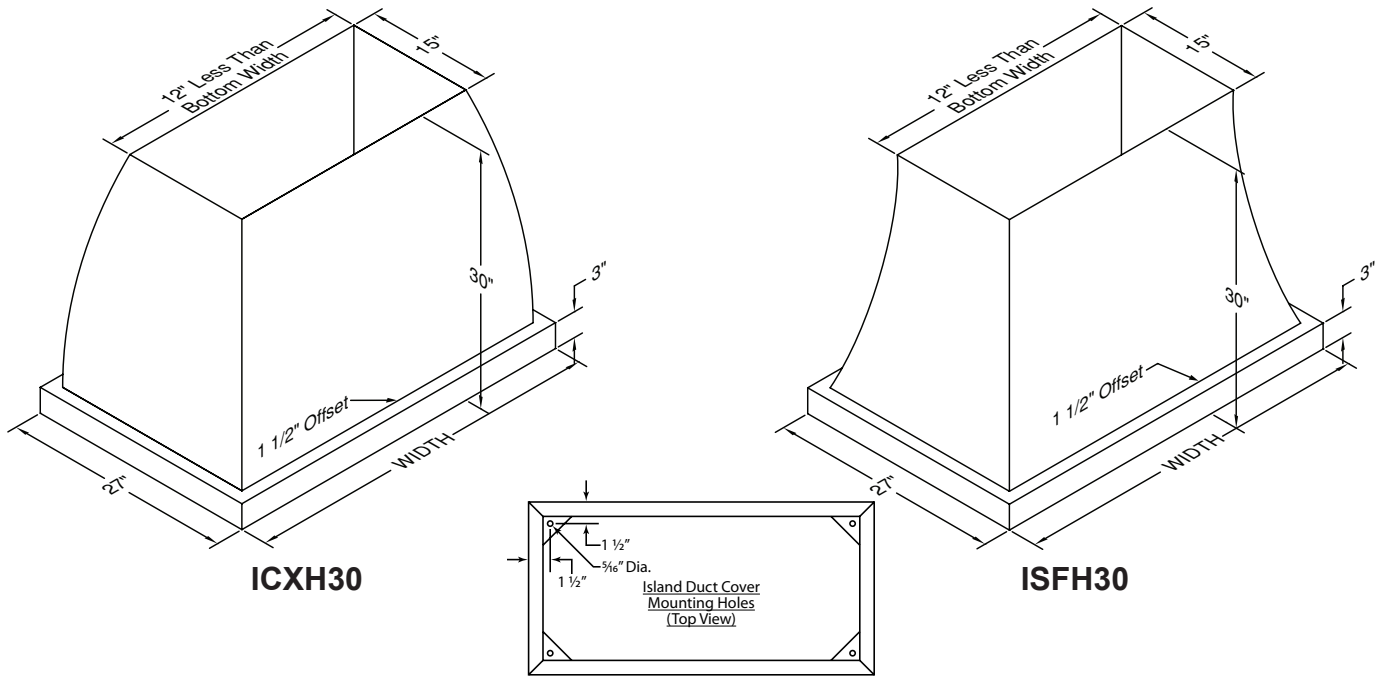
Ratings in accordance with the Standard Test Code by the Energy Systems Laboratory of the Texas Engineering Experiment Station.

SPECIFICATIONS SUBJECT TO CHANGE WITHOUT NOTICE Rev. 0114A

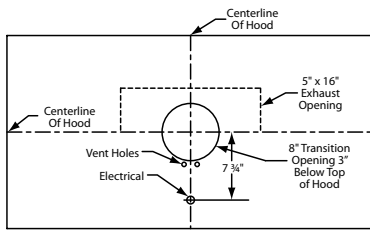


VentA Hood® ISLAND RANGE HOOD SPECIFICATIONS

ICXH30/ISFH30 Equipped with halogen lighting. Not available with heat lamps.

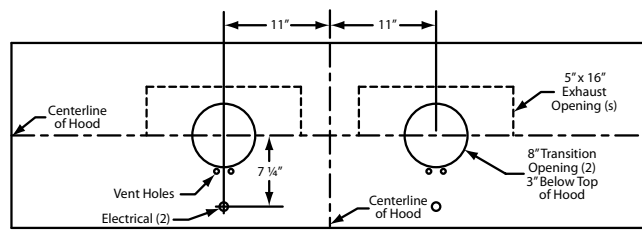


Connection Diagram (36" - 54")



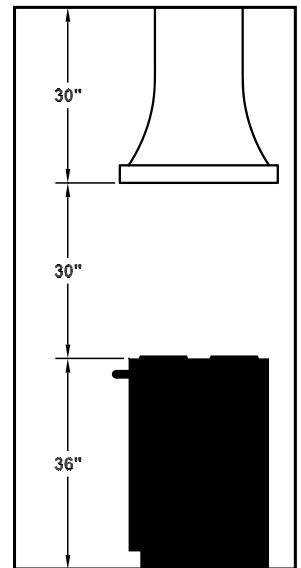
550 CFM T200 Dual Blower (Top View)

Connection Diagram (60" - 66")

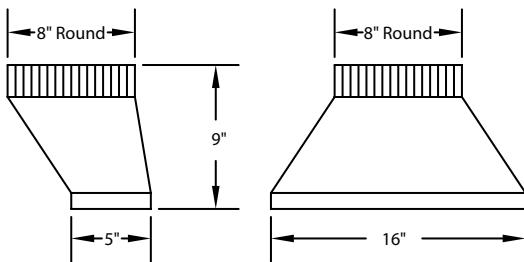


1100 CFM T2+ 200 Dual Blowers (Top View)

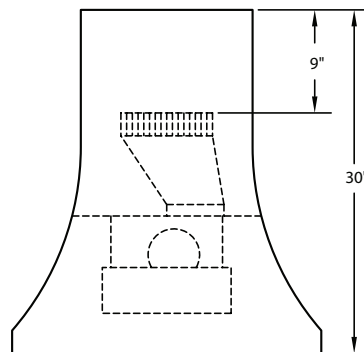
Recommended Mounting Height*



*Recommended mounting height is for optimum performance.



VP565 Standard Transition (Included)



Transition Installed (Side View)

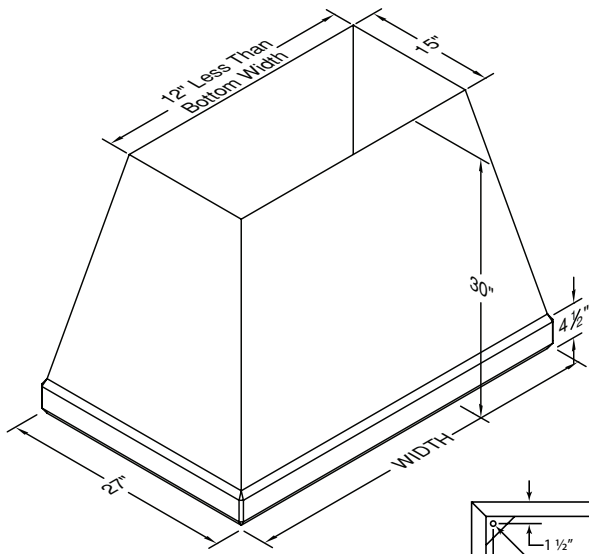
Electrical/Mechanical Specifications For Blower Units

Model	Volts	Amps*	Hz	RPM	CFM SP@0.0"	Equivalent CFM*	CFM SP@0.1"	CFM SP@0.2"	CFM SP@0.3"	Minimum Round Duct Size	Sones#
T200 Island Dual	115	2.9	60	1550	550	900	507	471	431	8" (50 in. ²)	6.0

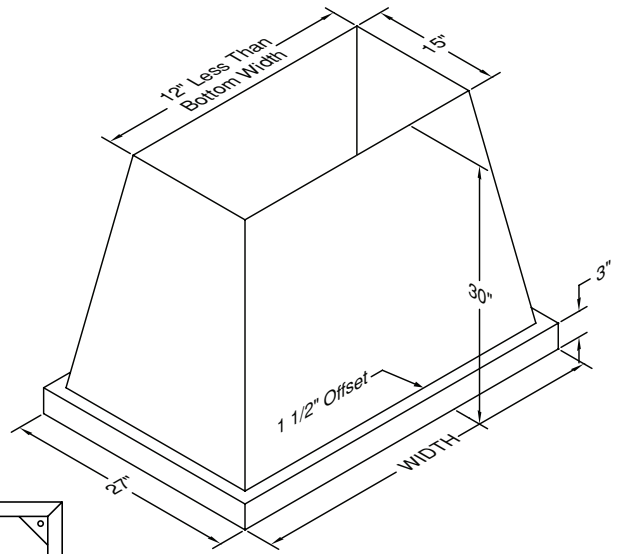
* Add 0.5 amp for each halogen light. Hood is available with halogen lights (4 lights: 36" - 59", 8 lights: 60" - 66", +2 lights for each 14" if over 66").
 • Because the Magic Lung® blower uses centrifugal filtration rather than conventional baffle or mesh filters, the Magic Lung® blower can handle cooking equipment with higher cubic feet per minute (CFM) requirements and can deliver equivalent CFM much more efficiently than other filtration systems. When comparing the Magic Lung® with other blower units made by other manufacturers, use the "Equivalent CFM".
 # Ratings in accordance with the Standard Test Code by the Energy Systems Laboratory of the Texas Engineering Experiment Station.

Vent-A-Hood® ISLAND RANGE HOOD SPECIFICATIONS

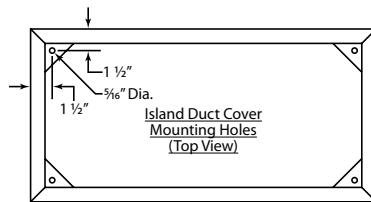
ISLH30/PYH30 Equipped with halogen lighting. Not available with heat lamps.



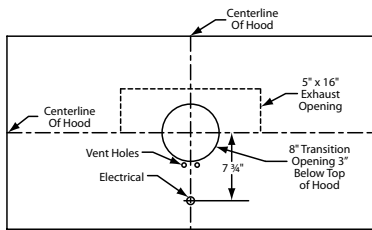
ISLH30



PYH30

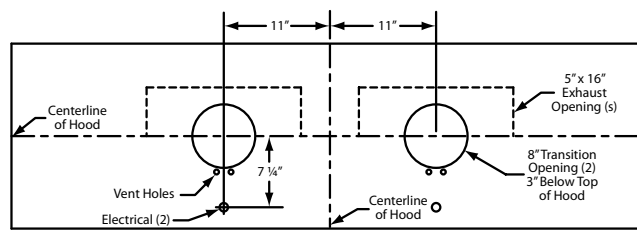


Connection Diagram (36" - 54")



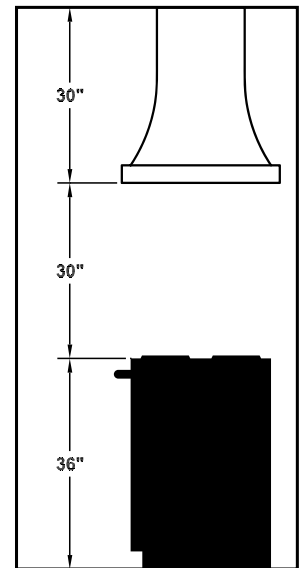
550 CFM T200 Dual Blower (Top View)

Connection Diagram (60" - 66")

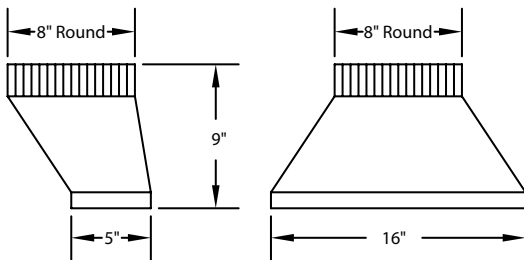


1100 CFM T2+ 200 Dual Blowers (Top View)

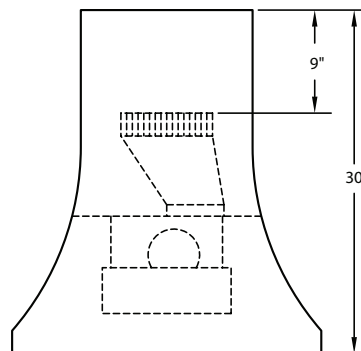
Recommended Mounting Height*



*Recommended mounting height is for optimum performance.



VP565 Standard Transition (Included)



Transition Installed (Side View)

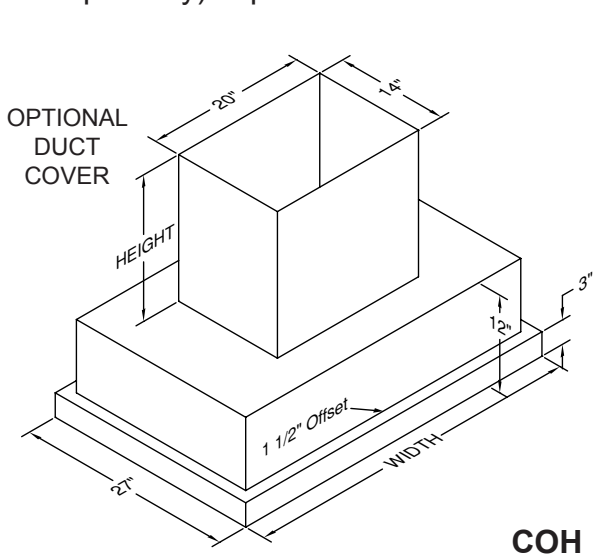
Electrical/Mechanical Specifications For Blower Units

Model	Volts	Amps*	Hz	RPM	CFM SP@0.0"	Equivalent CFM*	CFM SP@0.1"	CFM SP@0.2"	CFM SP@0.3"	Minimum Round Duct Size	Sones#
T200 Island Dual	115	2.9	60	1550	550	900	507	471	431	8" (50 in. ²)	6.0

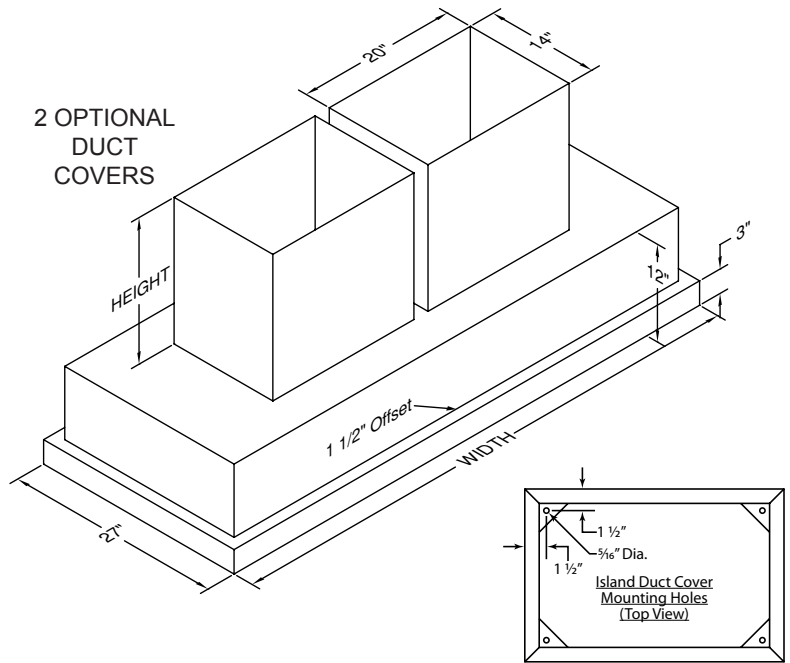
* Add 0.5 amp for each halogen light. Hood is available with halogen lights (4 lights: 36" - 59", 8 lights: 60" - 66", +2 lights for each 14" if over 66").
 • Because the Magic Lung® blower uses centrifugal filtration rather than conventional baffle or mesh filters, the Magic Lung® blower can handle cooking equipment with higher cubic feet per minute (CFM) requirements and can deliver equivalent CFM much more efficiently than other filtration systems. When comparing the Magic Lung® with other blower units made by other manufacturers, use the "Equivalent CFM".
 # Ratings in accordance with the Standard Test Code by the Energy Systems Laboratory of the Texas Engineering Experiment Station.

VentA Hood® ISLAND RANGE HOOD SPECIFICATIONS

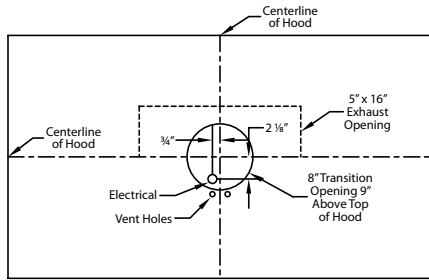
COH Equipped with halogen lighting. Not available with heat lamps. Shown with optional duct cover (sold separately). Optional duct covers available in standard and custom sizes.



COH

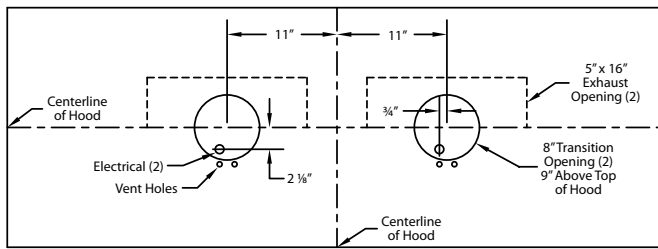


Connection Diagram (36" - 54")



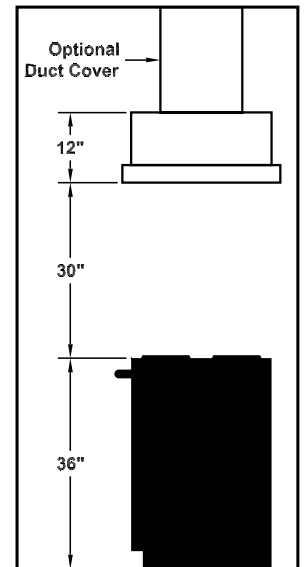
550 CFM T200 Dual Blower (Top View)

Connection Diagram (60" - 66")

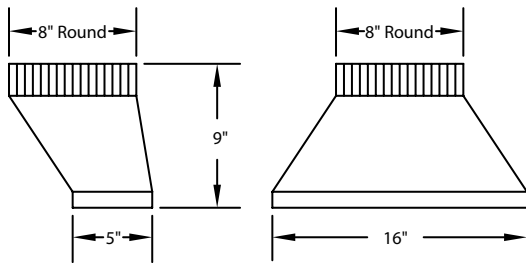


1100 CFM T2+ 200 Dual Blowers (Top View)

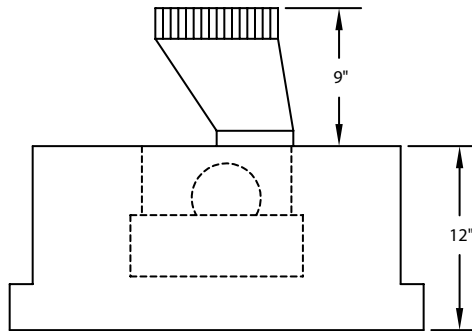
Recommended Mounting Height*



*Recommended mounting height is for optimum performance.



VP565 Standard Transition (Included)



Transition Installed (Side View)

Electrical/Mechanical Specifications For Blower Units

Model	Volts	Amps*	Hz	RPM	CFM SP@0.0"	Equivalent CFM*	CFM SP@0.1"	CFM SP@0.2"	CFM SP@0.3"	Minimum Round Duct Size	Sones#
T200 Island Dual	115	2.9	60	1550	550	900	507	471	431	8" (50 in. ²)	6.0

* Add 0.5 amp for each halogen light. Hood is available with halogen lights (4 lights: 36" - 59", 8 lights: 60" - 66", +2 lights for each 14" if over 66").

Because the Magic Lung® blower uses centrifugal filtration rather than conventional baffle or mesh filters, the Magic Lung® blower can handle cooking equipment with higher cubic feet per minute (CFM) requirements and can deliver equivalent CFM much more efficiently than other filtration systems. When comparing the Magic Lung® with other blower units made by other manufacturers, use the "Equivalent CFM".

Ratings in accordance with the Standard Test Code by the Energy Systems Laboratory of the Texas Engineering Experiment Station.

SPECIFICATIONS SUBJECT TO CHANGE WITHOUT NOTICE Rev. 0412A



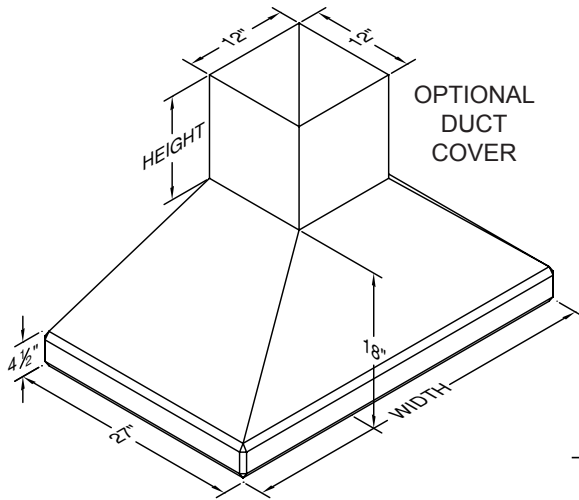
Vent Hood®

EURO-STYLE ISLAND

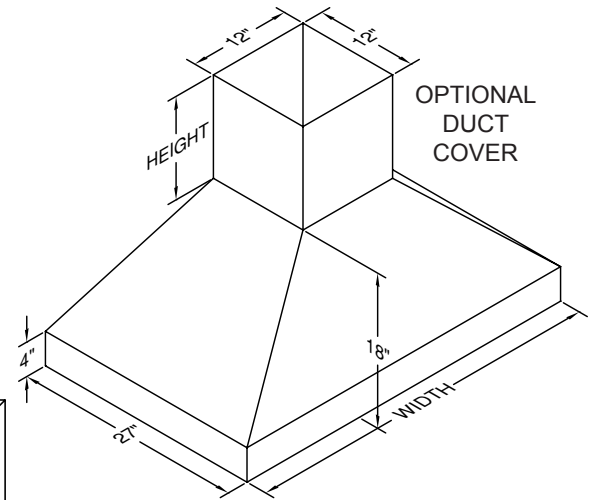
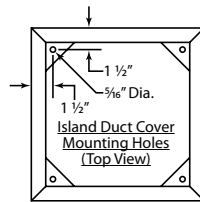
SUBJECT TO CHANGE WITHOUT NOTICE

VentA Hood® EUROSTYLE ISLAND RANGE HOOD SPECIFICATIONS

ISDH18/PYDH18 Equipped with halogen lighting. Not available with heat lamps. Shown with optional duct cover (sold separately). Optional duct covers available in standard and custom sizes.

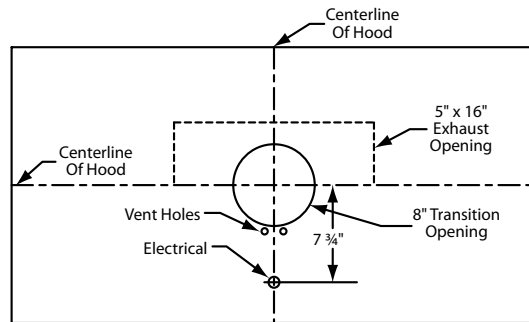


ISDH18



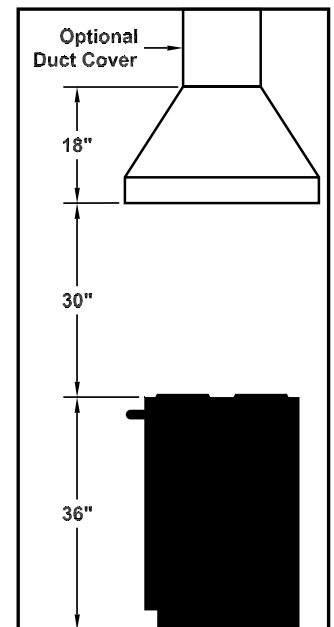
PYDH18

Connection Diagram (36" - 48" Widths)

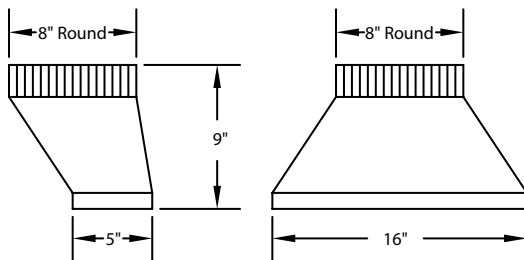


550 CFM T200 Dual Blower (Top View)

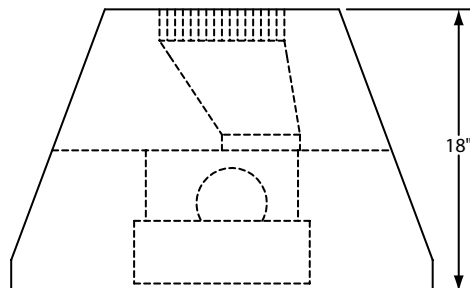
Recommended Mounting Height*



*Recommended mounting height is for optimum performance.



VP565 Standard Transition (Included)



Transition Installed (Side View)

Electrical/Mechanical Specifications For Blower Units

Model	Volts	Amps*	Hz	RPM	CFM SP@0.0"	Equivalent CFM*	CFM SP@0.1"	CFM SP@0.2"	CFM SP@0.3"	Minimum Round Duct Size	Sones#
T200 Island Dual	115	2.9	60	1550	550	900	507	471	431	8" (50 in. ²)	6.0

* Add 0.5 amp for each halogen light. Hood is available with halogen lights (one in each corner).

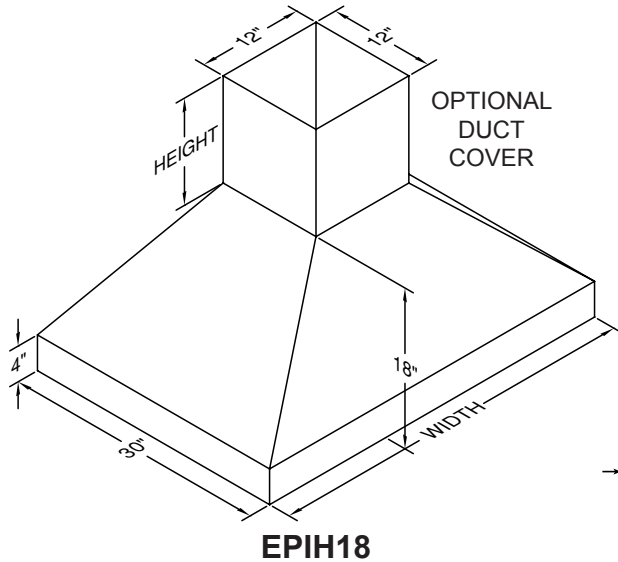
Because the Magic Lung® blower uses centrifugal filtration rather than conventional baffle or mesh filters, the Magic Lung® blower can handle cooking equipment with higher cubic feet per minute (CFM) requirements and can deliver equivalent CFM much more efficiently than other than other filtration systems. When comparing the Magic Lung® with other blower units made by other manufacturers, use the "Equivalent CFM".

Ratings in accordance with the Standard Test Code by the Energy Systems Laboratory of the Texas Engineering Experiment Station.

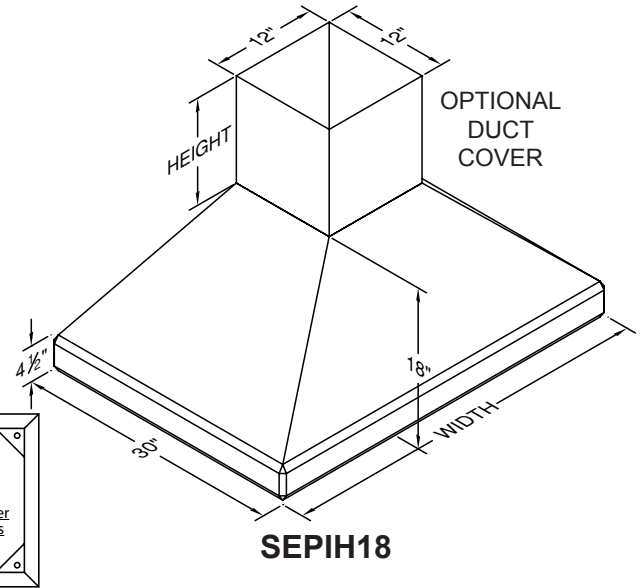


VentA Hood® EUROSTYLE ISLAND RANGE HOOD SPECIFICATIONS

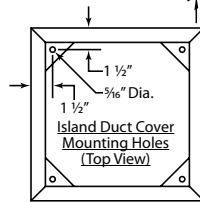
EPIH18/SEPIH18 Equipped with halogen lighting. Not available with heat lamps. Shown with optional duct cover (sold separately). Optional duct covers available in standard and custom sizes.



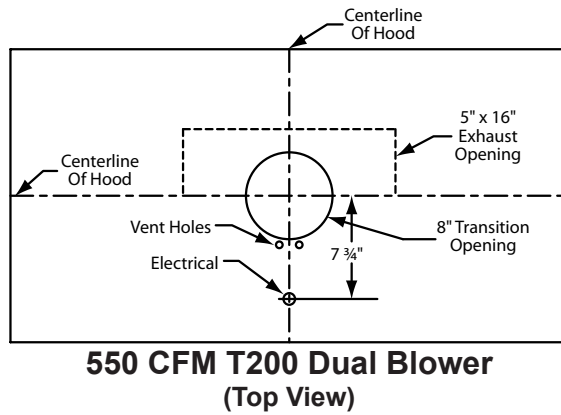
EPIH18



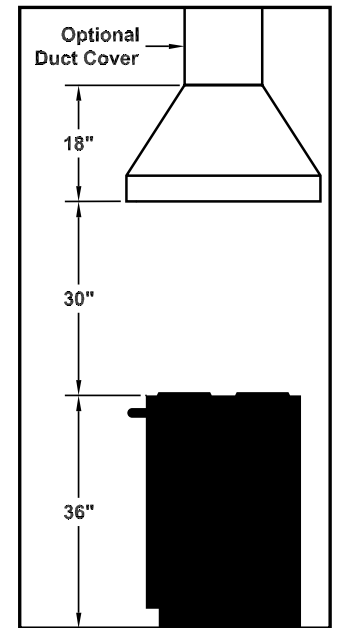
SEPIH18



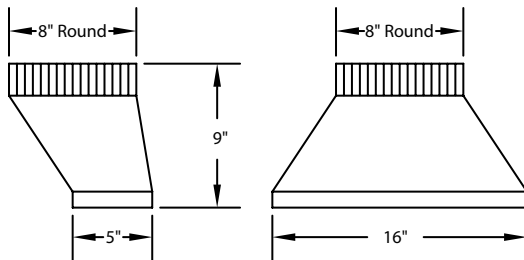
Connection Diagram (36" - 48" Widths)



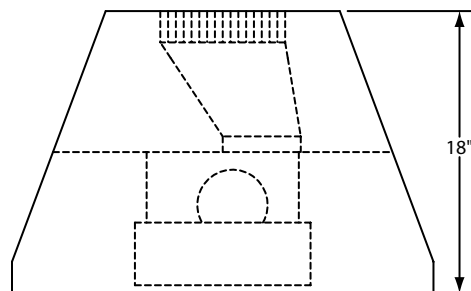
Recommended Mounting Height*



*Recommended mounting height is for optimum performance.



VP565 Standard Transition (Included)



Transition Installed (Side View)

Electrical/Mechanical Specifications For Blower Units

Model	Volts	Amps*	Hz	RPM	CFM SP@0.0"	Equivalent CFM*	CFM SP@0.1"	CFM SP@0.2"	CFM SP@0.3"	Minimum Round Duct Size	Sones#
T200 Island Dual	115	2.9	60	1550	550	900	507	471	431	8" (50 in. ²)	6.0

* Add 0.5 amp for each halogen light. Hood is available with halogen lights (one in each corner).

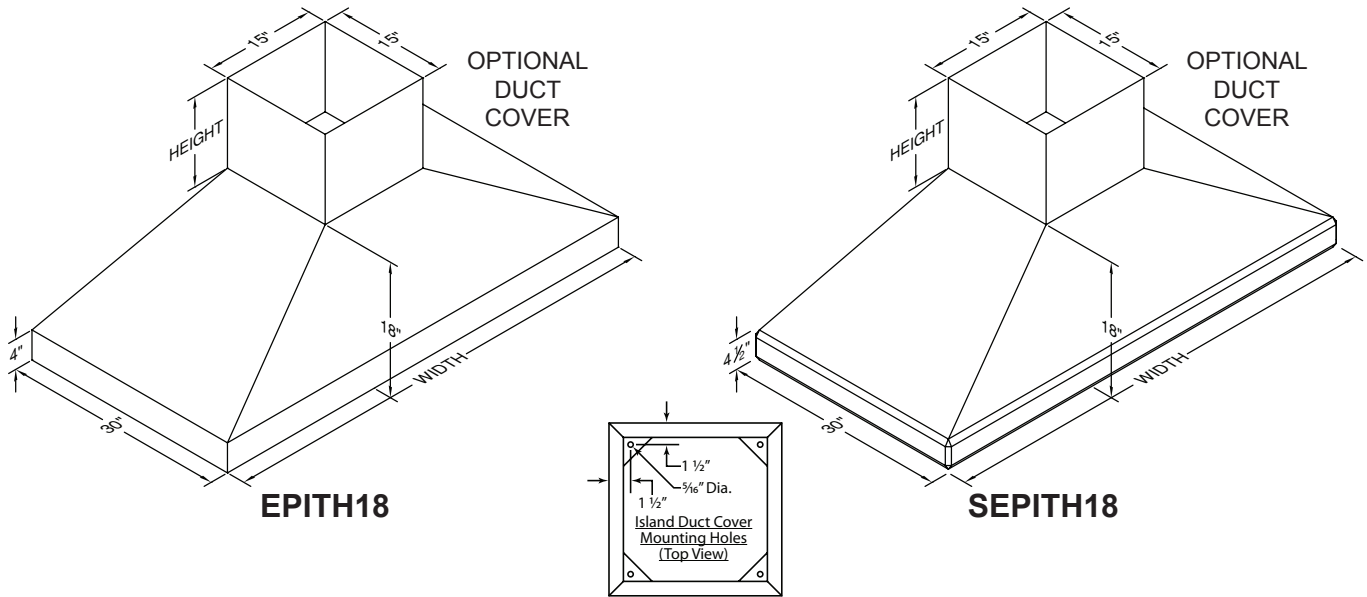
* Because the Magic Lung® blower uses centrifugal filtration rather than conventional baffle or mesh filters, the Magic Lung® blower can handle cooking equipment with higher cubic feet per minute (CFM) requirements and can deliver equivalent CFM much more efficiently than other filtration systems. When comparing the Magic Lung® with other blower units made by other manufacturers, use the "Equivalent CFM".

Ratings in accordance with the Standard Test Code by the Energy Systems Laboratory of the Texas Engineering Experiment Station.

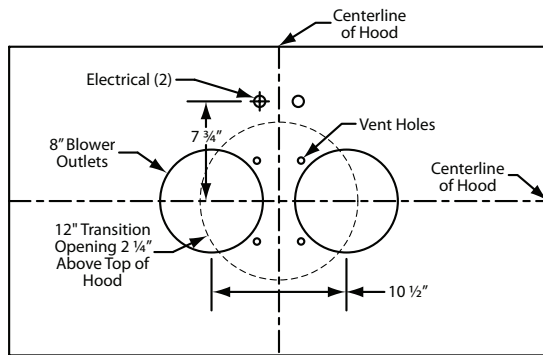


Vent-A-Hood® EUROSTYLE ISLAND RANGE HOOD SPECIFICATIONS

EPITH18/SEPITH18 Equipped with halogen lighting. Not available with heat lamps. Shown with optional duct cover (sold separately). Optional duct covers available in standard and custom sizes.

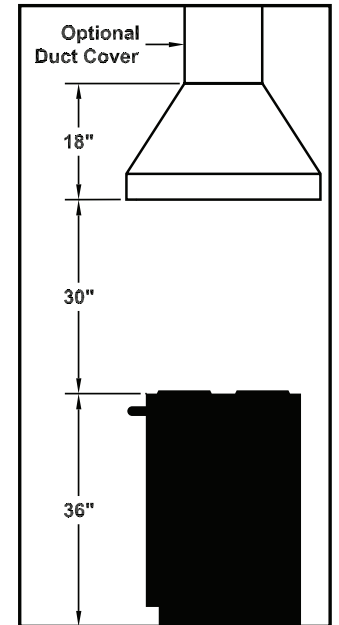


Connection Diagram (48" - 66" Widths)

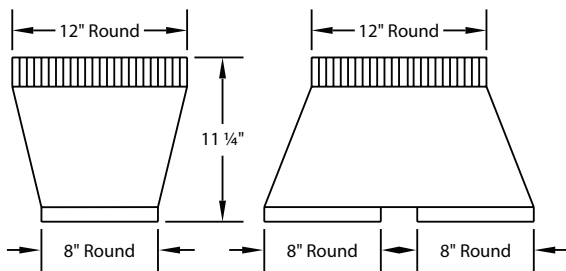


1100 CFM T400 Cluster Blower (Top View)

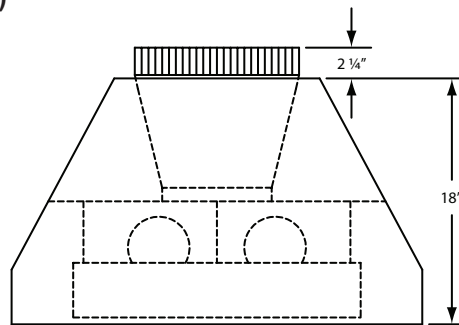
Recommended Mounting Height*



*Recommended mounting height is for optimum performance.



VP564 Standard Transition (Included)



Transition Installed (Side View)

Electrical/Mechanical Specifications For Blower Units

Model	Volts	Amps*	Hz	RPM	CFM SP@0.0"	Equivalent CFM*	CFM SP@0.1"	CFM SP@0.2"	CFM SP@0.3"	Minimum Round Duct Size	Sones#
T400 Island Cluster	115	5.8	60	1550	1100	1800	998	855	774	12" (13 in. ²)	6.4

* Add 0.5 amp for each halogen light. Hood is available with halogen lights (one in each corner).

• Because the Magic Lung® blower uses centrifugal filtration rather than conventional baffle or mesh filters, the Magic Lung® blower can handle cooking equipment with higher cubic feet per minute (CFM) requirements and can deliver equivalent CFM much more efficiently than other filtration systems. When comparing the Magic Lung® with other blower units made by other manufacturers, use the "Equivalent CFM".

Ratings in accordance with the Standard Test Code by the Energy Systems Laboratory of the Texas Engineering Experiment Station.

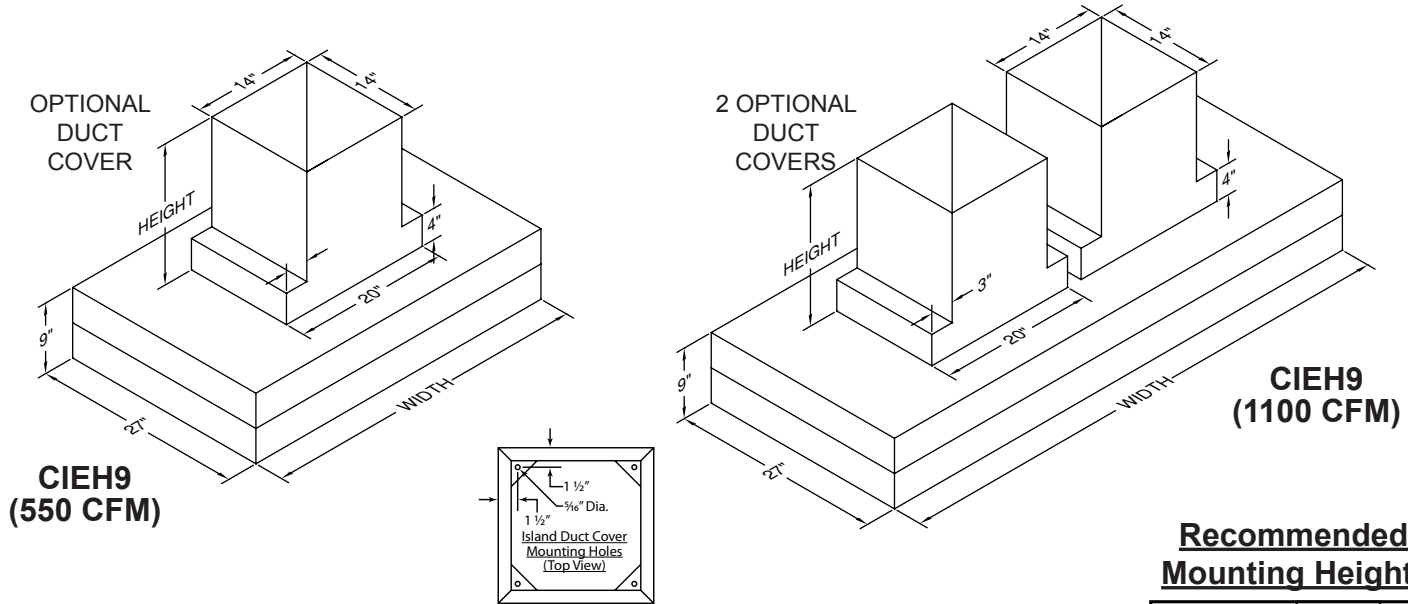
Vent Hood®

**CONTEMPORARY
ISLAND**

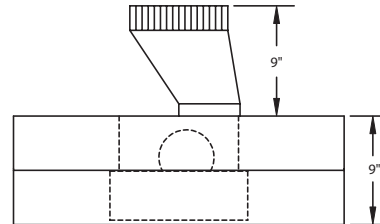
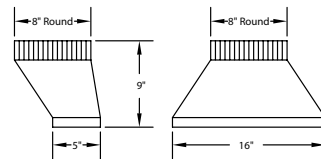
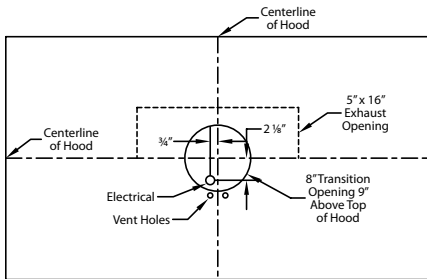
SUBJECT TO CHANGE WITHOUT NOTICE

VentA Hood® ISLAND RANGE HOOD SPECIFICATIONS

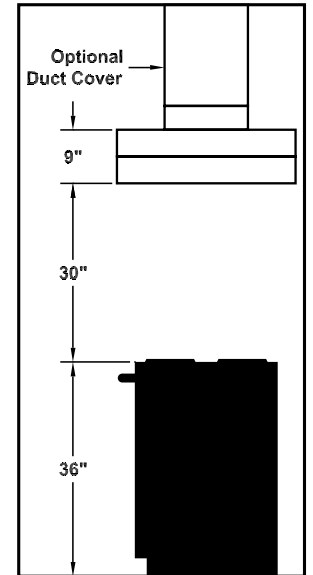
CIEH9 Equipped with halogen lighting. Not available with heat lamps. Shown with optional duct cover(s) (sold separately). Optional duct covers available in standard and custom sizes.



Connection Diagram (36" - 54" Widths)

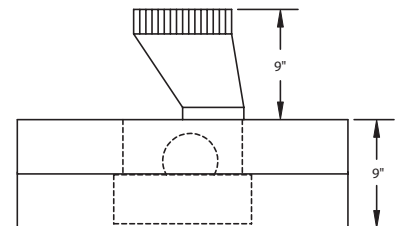
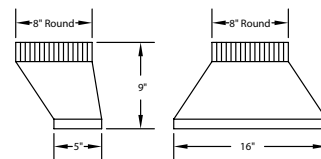
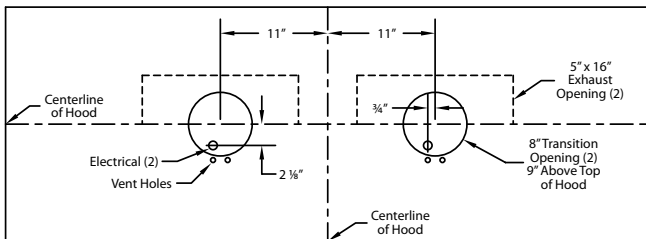


Recommended Mounting Height*



*Recommended mounting height is for optimum performance.

Connection Diagram (60" - 66" Widths)



1100 CFM T2+200 Dual Blower (Top View)

VP565 Transition (2 Included)

Transition Installed (Side View)

Electrical/Mechanical Specifications For Blower Units

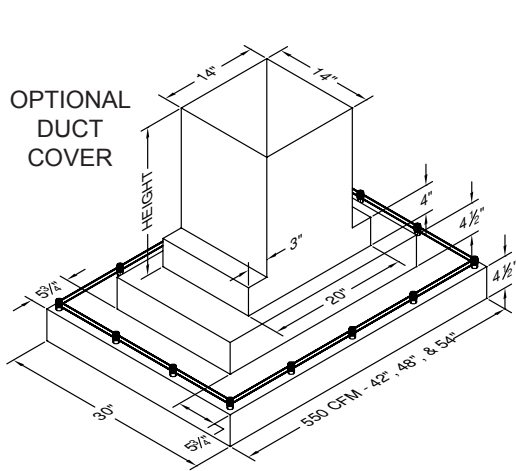
Model	Volts	Amps*	Hz	RPM	CFM SP@0.0"	Equivalent CFM*	CFM SP@0.1"	CFM SP@0.2"	CFM SP@0.3"	Minimum Round Duct Size	Sones#
T200 Island Dual	115	2.9	60	1550	550	900	507	471	431	8" (50 in. ²)	6.0

* Add 0.5 amp for each halogen light. Hoods are available with halogen lights (4 lights: 36" - 59", 8 lights: 60" - 66", +2 lights for each 14" if over 66").
 * Because the Magic Lung® blower uses centrifugal filtration rather than conventional baffle or mesh filters, the Magic Lung® blower can handle cooking equipment with higher cubic feet per minute (CFM) requirements and can deliver equivalent CFM much more efficiently than other filtration systems. When comparing the Magic Lung® with other blower units made by other manufacturers, use the "Equivalent CFM".
 # Ratings in accordance with the Standard Test Code by the Energy Systems Laboratory of the Texas Engineering Experiment Station.

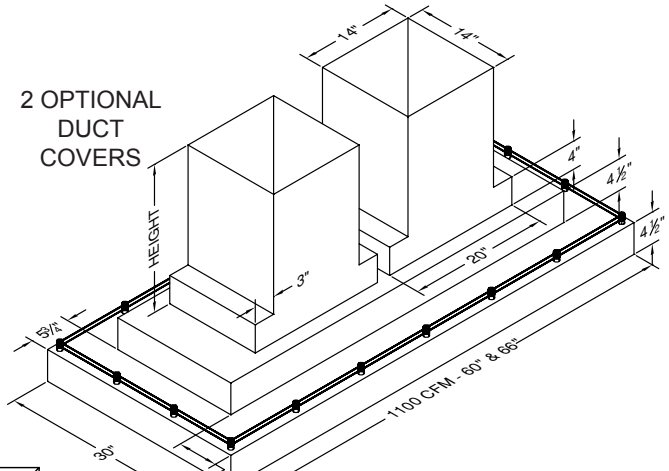


VentA Hood® ISLAND RANGE HOOD SPECIFICATIONS

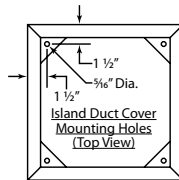
CILH9 Equipped with halogen lighting. Not available with heat lamps. Shown with optional duct cover (sold separately). Optional duct covers available in standard and custom sizes. Galley rail included.



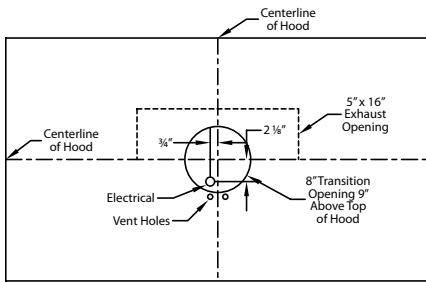
CILH9 (550 CFM)



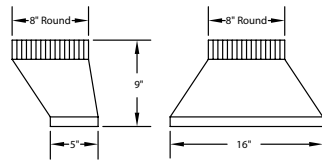
CILH9 (1100 CFM)



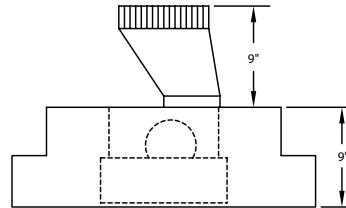
Connection Diagram (42" - 54" Widths)



550 CFM T200 Dual Blower (Top View)

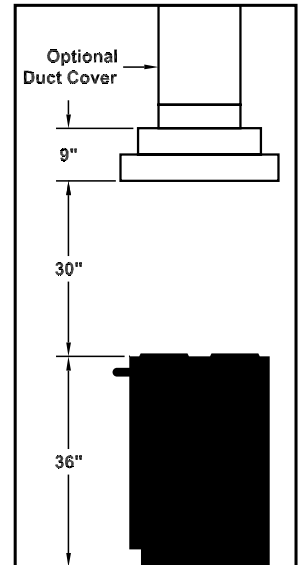


VP565 Transition (Included)



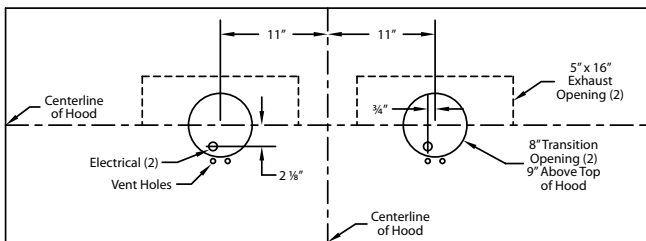
Transition Installed (Side View)

Recommended Mounting Height*

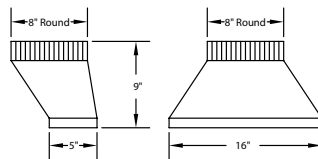


*Recommended mounting height is for optimum performance.

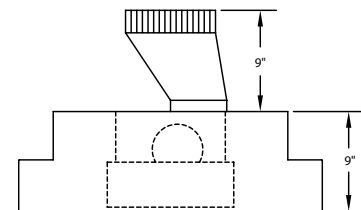
Connection Diagram (60" - 66" Widths)



1100 CFM T2+200 Dual Blower (Top View)



VP565 Transition (2 Included)



Transition Installed (Side View)

Electrical/Mechanical Specifications For Blower Units

Model	Volts	Amps*	Hz	RPM	CFM SP@0.0"	Equivalent CFM*	CFM SP@0.1"	CFM SP@0.2"	CFM SP@0.3"	Minimum Round Duct Size	Sones#
T200 Island Dual	115	2.9	60	1550	550	900	507	471	431	8" (50 in. ²)	6.0

* Add 0.5 amp for each halogen light. Hoods are available with halogen lights (4 lights: 36" - 59", 8 lights: 60" - 66", +2 lights for each 14" if over 66").

Because the Magic Lung® blower uses centrifugal filtration rather than conventional baffle or mesh filters, the Magic Lung® blower can handle cooking equipment with higher cubic feet per minute (CFM) requirements and can deliver equivalent CFM much more efficiently than other than other filtration systems. When comparing the Magic Lung® with other blower units made by other manufacturers, use the "Equivalent CFM".

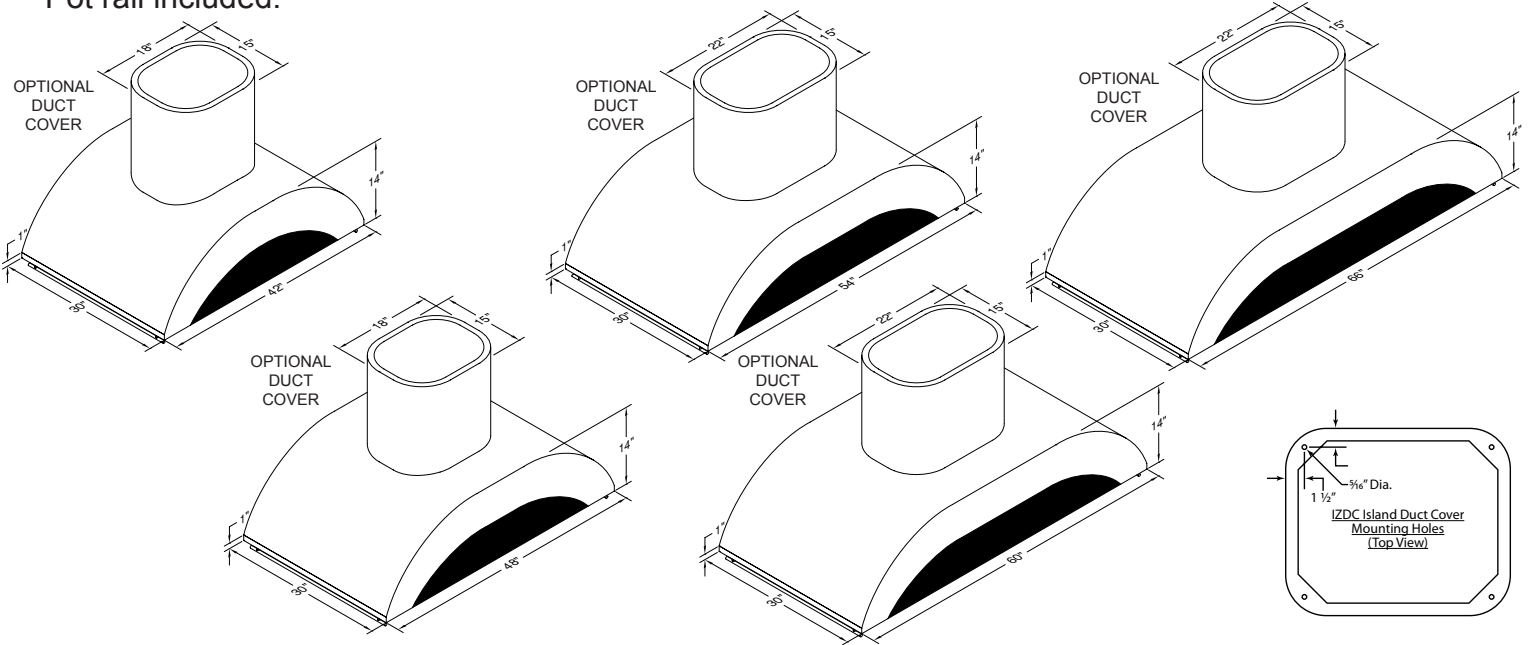
Ratings in accordance with the Standard Test Code by the Energy Systems Laboratory of the Texas Engineering Experiment Station.

SPECIFICATIONS SUBJECT TO CHANGE WITHOUT NOTICE Rev. 0412A

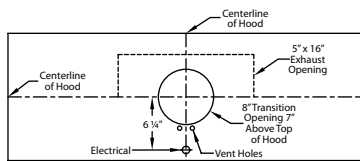


Vent-A-Hood® ISLAND RANGE HOOD SPECIFICATIONS

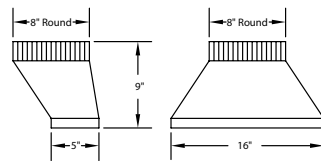
IZTH Equipped with halogen lighting. Not available with heat lamps. Available in stainless steel. Shown with optional duct cover (sold separately). Optional duct covers available in standard and custom sizes. Pot rail included.



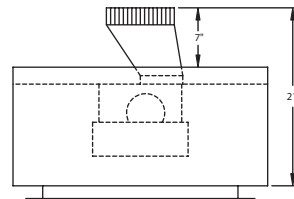
Connection Diagram (42" - 48" Widths)



550 CFM T200 Dual Blower (Top View)

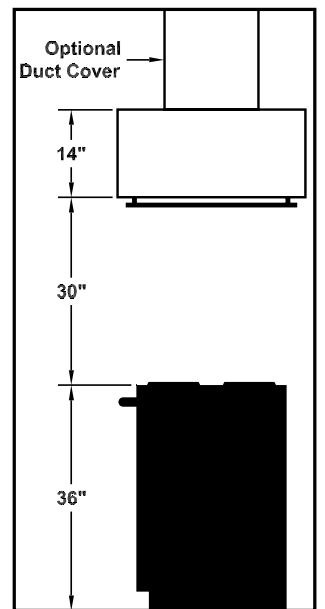


VP565 Transition (Included)



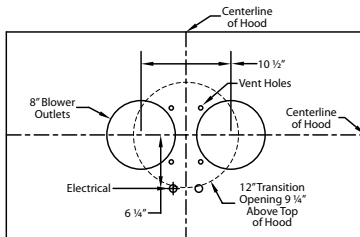
Transition Installed (Side View)

Recommended Mounting Height*

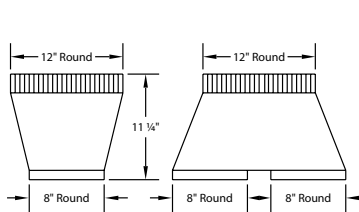


*Recommended mounting height is for optimum performance.
NOTE: DUCT COVER EXTENDS 2" INTO TOP OF HOOD.

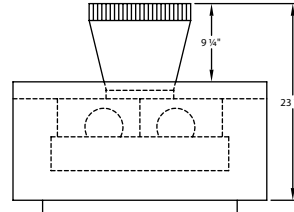
Connection Diagram (54" - 66" Widths)



1100 CFM T400 Cluster Blower (Top View)



VP564 Transition (Included)



Transition Installed (Side View)

Electrical/Mechanical Specifications For Blower Units

Model	Volts	Amps*	Hz	RPM	CFM SP@0.0"	Equivalent CFM*	CFM SP@0.1"	CFM SP@0.2"	CFM SP@0.3"	Minimum Round Duct Size	Sones#
T200 Island Dual	115	2.9	60	1550	550	900	507	471	431	8" (50 in. ²)	6.0
T400 Island Cluster	115	5.8	60	1550	1100	1800	998	855	774	12" (113 in. ²)	6.4

* Add 0.5 amp for each halogen light. Hood is available with halogen lights (one in each corner).

Because the Magic Lung® blower uses centrifugal filtration rather than conventional baffle or mesh filters, the Magic Lung® blower can handle cooking equipment with higher cubic feet per minute (CFM) requirements and can deliver equivalent CFM much more efficiently than other filtration systems. When comparing the Magic Lung® with other blower units made by other manufacturers, use the "Equivalent CFM".

Ratings in accordance with the Standard Test Code by the Energy Systems Laboratory of the Texas Engineering Experiment Station.

Vent Hood®

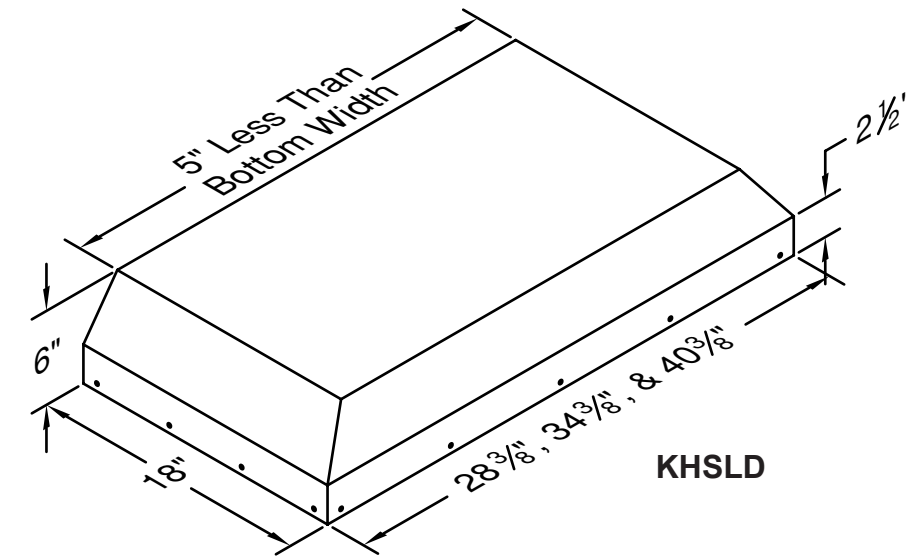
WALL MOUNT LINER

SUBJECT TO CHANGE WITHOUT NOTICE

Vent Hood® WALL MOUNT LINER INSERT SPECIFICATIONS

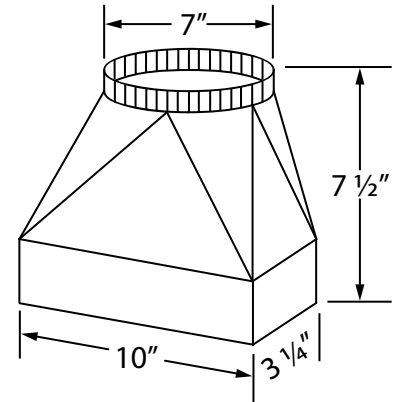
KHSLD LINER Equipped with halogen lighting. Not available with heat lamps. Available in Black, Biscuit, Gunsmoke Gray, Stainless Steel, or White.

The VP521 transition is available for top vent applications at an additional charge.

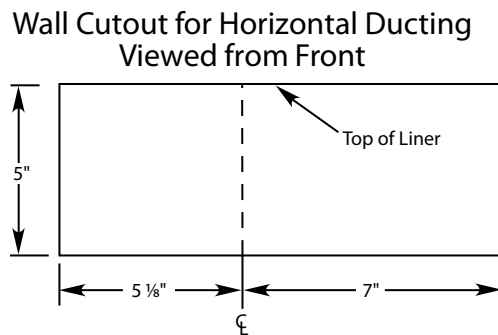
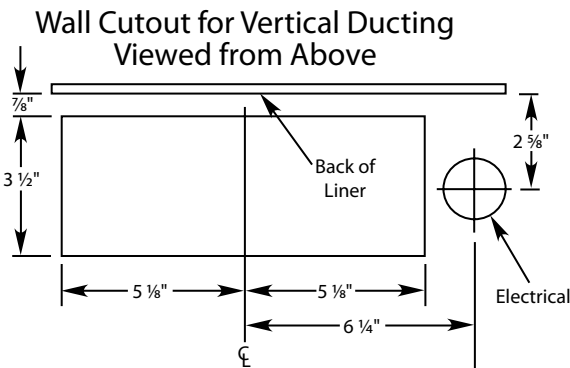


Top Vent or Back Vent
3 1/4" x 10"

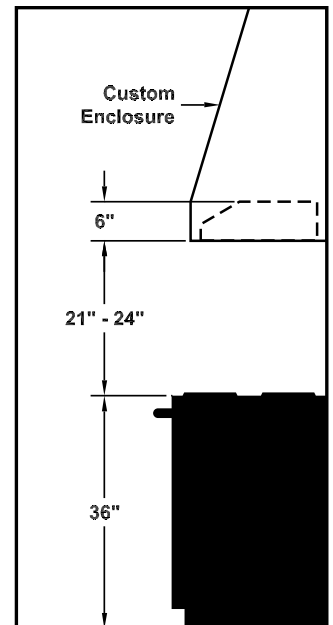
KHSLD



Connection Diagrams (28 3/8", 34 3/8", & 40 3/8" Widths)



Recommended Mounting Height*



*Recommended mounting height is for optimum performance.

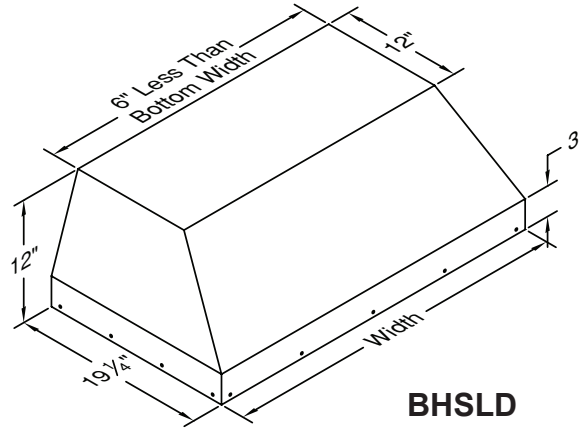
Electrical/Mechanical Specifications For Blower Units

Model	Volts	Amps	Hz	RPM	CFM SP@0.0"	Equivalent CFM*	CFM SP@0.1"	CFM SP@0.2"	CFM SP@0.3"	Minimum Round Duct Size	Sones#
K250 (Top Vent)	115	3.2	60	1550	250	375	223	220	190	7" (38 in. ²)	7.4
K250 (Back Vent)	115	3.2	60	1550	220	330	215	195	180	7" (38 in. ²)	7.4

All K-Series hoods have two halogen lights.
 * Because the Magic Lung® blower uses centrifugal filtration rather than conventional baffle or mesh filters, the Magic Lung® blower can handle cooking equipment with higher cubic feet per minute (CFM) requirements and can deliver equivalent CFM much more efficiently than other filtration systems. When comparing the Magic Lung® with other blower units made by other manufacturers, use the "Equivalent CFM".
 # Ratings in accordance with the Standard Test Code by the Energy Systems Laboratory of the Texas Engineering Experiment Station.

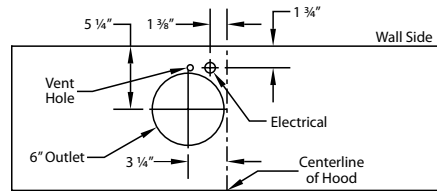
VentA Hood® WALL MOUNT LINER INSERT SPECIFICATIONS

BHSLD LINER Equipped with halogen lighting. Not available with heat lamps.



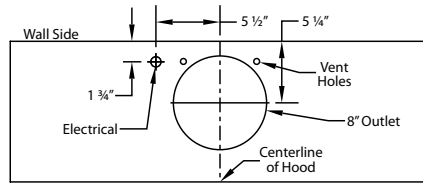
BHSLD

Connection Diagram (28 3/8" - 40 3/8" Widths)



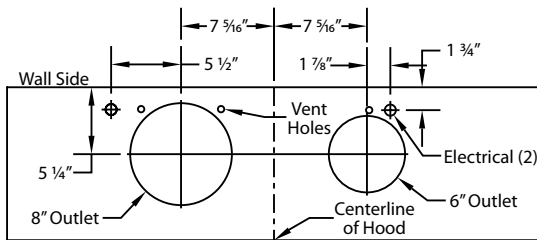
300 CFM B100 Single Blower (Top View)

Connection Diagram (28 3/8" - 46 3/8" Widths)

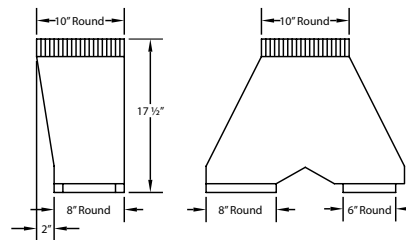


600 CFM B200 Dual Blower (Top View)

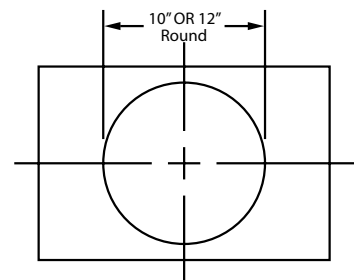
Connection Diagram (46 3/8" Width)



900 CFM B200 Dual & B100 Single Blower (Top View)

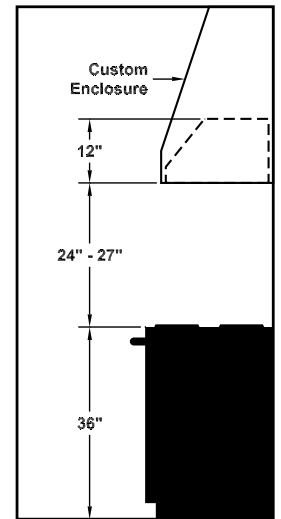


VP562 Transition (Optional) For B300 (B200 Dual Blower & B100 Single Blower)



VP562/VP563 transition centers outlet over top of hood

Recommended Mounting Height*



*Recommended mounting height is for optimum performance.

Electrical/Mechanical Specifications For Blower Units

Model	Volts	Amps*	Hz	RPM	CFM SP@0.0"	Equivalent CFM*	CFM SP@0.1"	CFM SP@0.2"	CFM SP@0.3"	Minimum Round Duct Size	Sones#
B100 Single	115	1.5	60	1550	300	450	273	245	225	6" (28 in. ²)	5.4
B200 Dual	115	2.9	60	1550	600	900	531	480	430	8" (50 in. ²)	6.5
B200 Dual & B100 Single	115	4.4	60	1550	900	1350	804	725	655	VP562: 10" (79 in. ²)	6.3

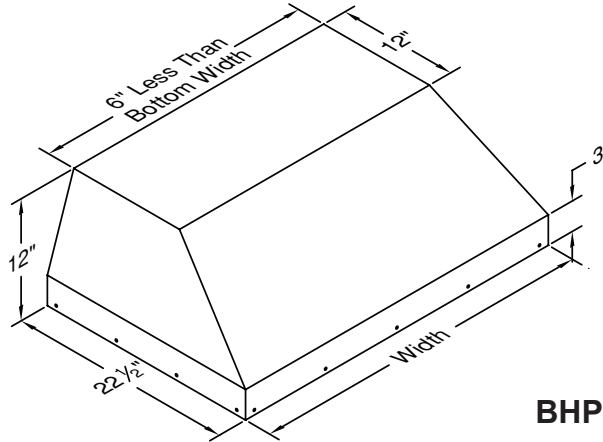
* Add 0.5 amp for each halogen light. Hoods are available with halogen lights (2 lights: 30" - 41", 3 lights: 42" - 48").

Because the Magic Lung® blower uses centrifugal filtration rather than conventional baffle or mesh filters, the Magic Lung® blower can handle cooking equipment with higher cubic feet per minute (CFM) requirements and can deliver equivalent CFM much more efficiently than other filtration systems. When comparing the Magic Lung® with other blower units made by other manufacturers, use the "Equivalent CFM".

Ratings in accordance with the Standard Test Code by the Energy Systems Laboratory of the Texas Engineering Experiment Station.

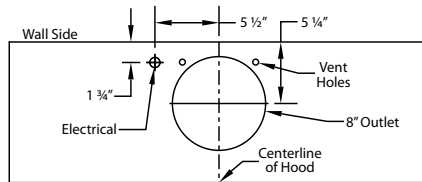
Vent-A-Hood® WALL MOUNT LINER INSERT SPECIFICATIONS

BHPSLD LINER Equipped with halogen lighting. Not available with heat lamps.



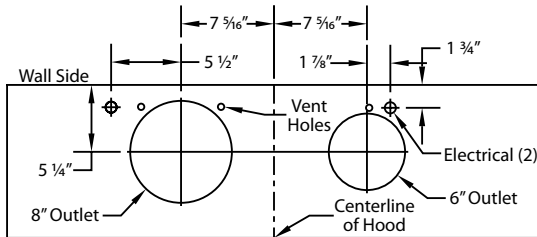
BHPSLD

Connection Diagram (28 3/8" - 52 3/8" Widths)

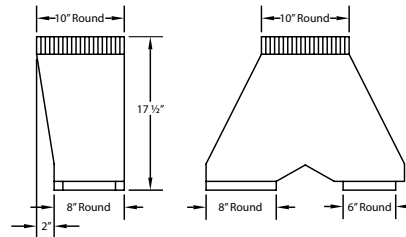


600 CFM B200 Dual Blower (Top View)

Connection Diagram (46 3/8" - 58 3/8" Widths)

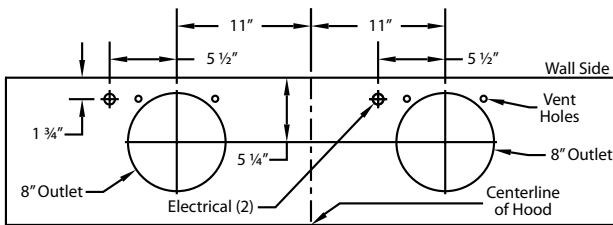


900 CFM B200 Dual & B100 Single Blower (Top View)

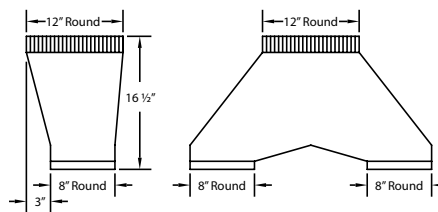


VP562 Transition (Optional) For B300 (B200 Dual Blower & B100 Single Blower)

Connection Diagram (52 3/8" - 64 3/8" Widths)

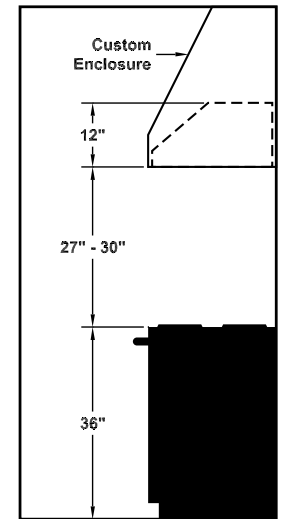


1200 CFM Double B200 Dual Blowers (Top View)

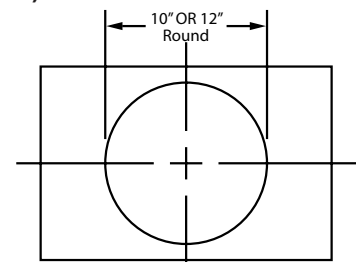


VP563 Transition (Optional) For B400 (Double B200 Dual Blowers)

Recommended Mounting Height*



*Recommended mounting height is for optimum performance.



VP562/VP563 transition centers outlet over top of hood

Electrical/Mechanical Specifications For Blower Units

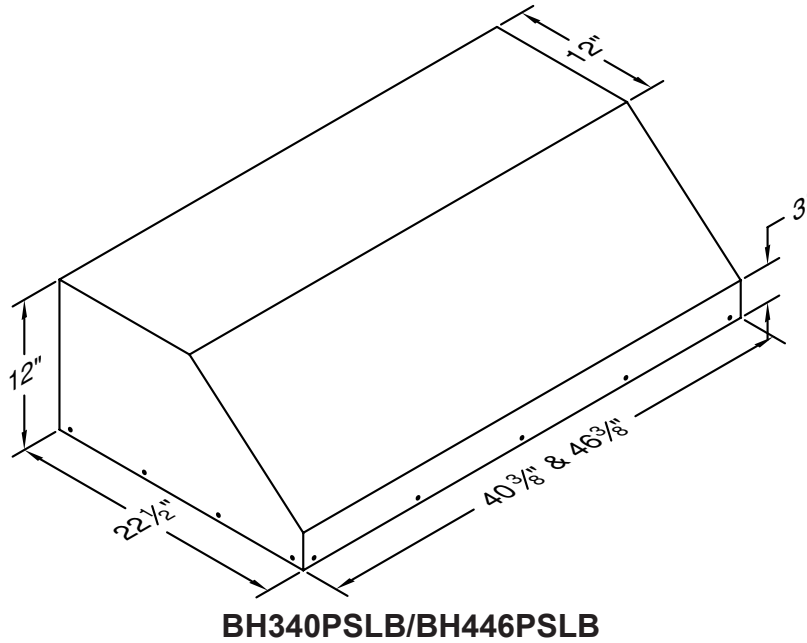
Model	Volts	Amps*	Hz	RPM	CFM SP@0.0"	Equivalent CFM*	CFM SP@0.1"	CFM SP@0.2"	CFM SP@0.3"	Minimum Round Duct Size	Sones#
B200 Dual	115	2.9	60	1550	600	900	531	480	430	8" (50 in. ²)	6.5
B200 Dual & B100 Single	115	4.4	60	1550	900	1350	804	725	655	VP562: 10" (79 in. ²)	6.3
Two B200 Duals	115	5.8	60	1550	1200	1800	1062	960	860	VP563: 12" (113 in. ²)	6.6

* Add 0.5 amp for each halogen light. Hoods are available halogen lights (2 lights: 30" - 41", 3 lights: 42" - 53", 4 lights: 54" - 66").
 # Because the Magic Lung® blower uses centrifugal filtration rather than conventional baffle or mesh filters, the Magic Lung® blower can handle cooking equipment with higher cubic feet per minute (CFM) requirements and can deliver equivalent CFM much more efficiently than other filtration systems. When comparing the Magic Lung® with other blower units made by other manufacturers, use the "Equivalent CFM".
 # Ratings in accordance with the Standard Test Code by the Energy Systems Laboratory of the Texas Engineering Experiment Station.



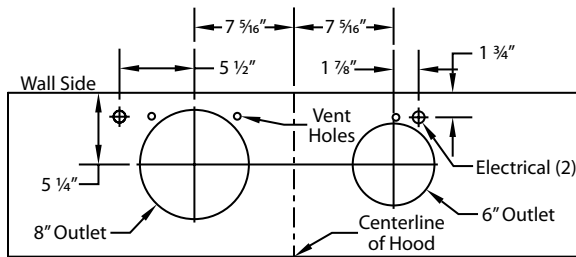
Vent Hood® WALL MOUNT LINER INSERT SPECIFICATIONS

BH340PSLB/BH446PSLB LINER Equipped with halogen lighting. Not available with heat lamps.

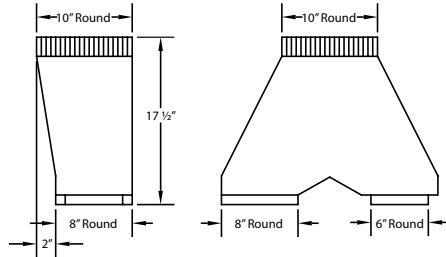


BH340PSLB/BH446PSLB

Connection Diagram (40-3/8" Width)

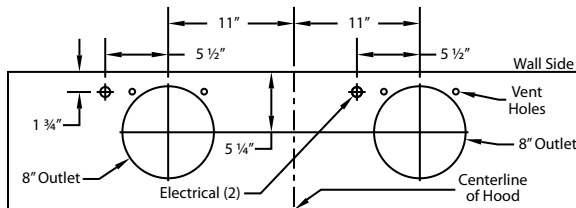


900 CFM B200 Dual & B100 Single Blowers (Top View)

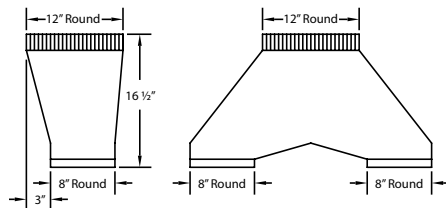


VP562 Transition (Optional) For B300 (B200 Dual & B100 Single Blowers)

Connection Diagram (46-3/8" Width)

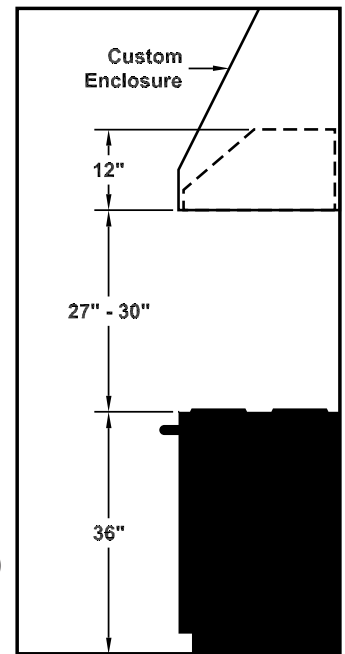


1200 CFM Double B200 Dual Blowers (Top View)

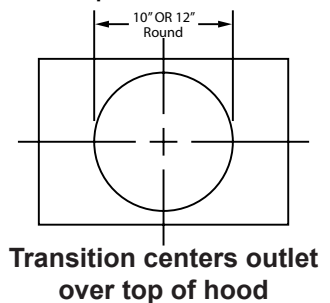


VP563 Transition (Optional) For B400 (Double B200 Dual Blowers)

Recommended Mounting Height*



*Recommended mounting height is for optimum performance.



Electrical/Mechanical Specifications For Blower Units

Model	Volts	Amps*	Hz	RPM	CFM SP@0.0"	Equivalent CFM*	CFM SP@0.1"	CFM SP@0.2"	CFM SP@0.3"	Minimum Round Duct Size	Sones#
B200 Dual & B100 Single	115	4.4	60	1550	900	1350	804	725	655	VP562: 10" (79 in. ²)	6.3
Two B200 Duals	115	5.8	60	1550	1200	1800	1062	960	860	VP563: 12" (113 in. ²)	6.6

* Add 0.5 amp for each halogen light. These models are available with three halogen lights.
 * Because the Magic Lung® blower uses centrifugal filtration rather than conventional baffle or mesh filters, the Magic Lung® blower can handle cooking equipment with higher cubic feet per minute (CFM) requirements and can deliver equivalent CFM much more efficiently than other filtration systems. When comparing the Magic Lung® with other blower units made by other manufacturers, use the "Equivalent CFM".
 # Ratings in accordance with the Standard Test Code by the Energy Systems Laboratory of the Texas Engineering Experiment Station.

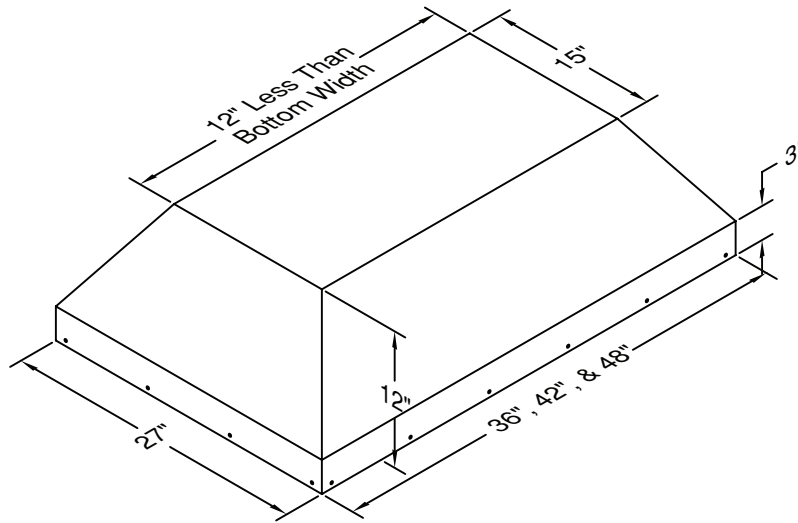


Vent Hood®

ISLAND LINER
SUBJECT TO CHANGE WITHOUT NOTICE

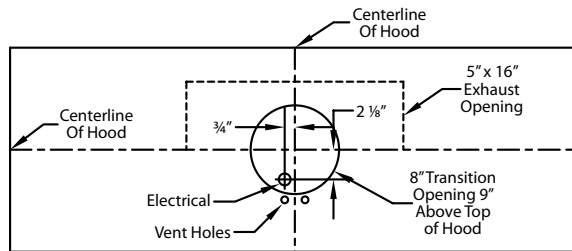
Vent Hood® ISLAND LINER INSERT SPECIFICATIONS

THSLE Equipped with halogen lighting. Not available with heat lamps.



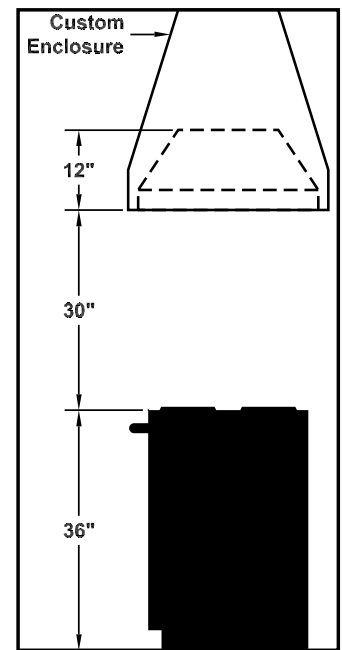
THSLE

Connection Diagram (36" - 48" Widths)

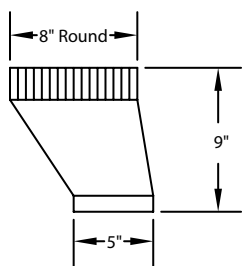


**550 CFM T200 Dual Blower
(Top View)**

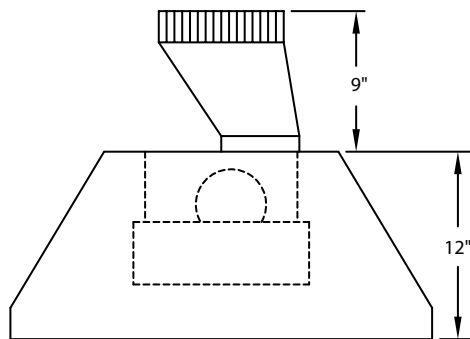
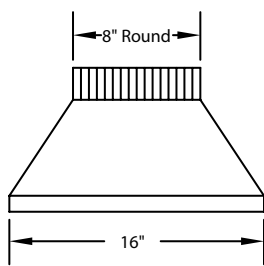
Recommended Mounting Height*



*Recommended mounting height is for optimum performance.



**VP565 Standard Transition
(Included)**



**Transition Installed
(Side View)**

Electrical/Mechanical Specifications For Blower Units

Model	Volts	Amps*	Hz	RPM	CFM SP@0.0"	Equivalent CFM*	CFM SP@0.1"	CFM SP@0.2"	CFM SP@0.3"	Minimum Round Duct Size	Sones#
T200 Island Dual	115	2.9	60	1550	550	900	507	471	431	8" (50 in. ²)	6.0

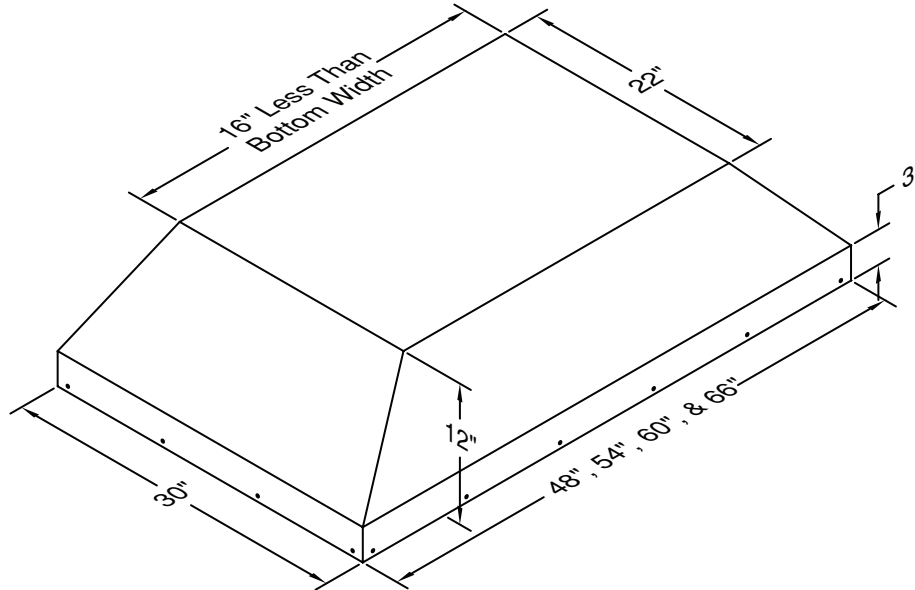
* Add 0.5 amp for each halogen light. Hood is available with halogen lights (one in each corner).

Because the Magic Lung® blower uses centrifugal filtration rather than conventional baffle or mesh filters, the Magic Lung® blower can handle cooking equipment with higher cubic feet per minute (CFM) requirements and can deliver equivalent CFM much more efficiently than other filtration systems. When comparing the Magic Lung® with other blower units made by other manufacturers, use the "Equivalent CFM".

Ratings in accordance with the Standard Test Code by the Energy Systems Laboratory of the Texas Engineering Experiment Station.

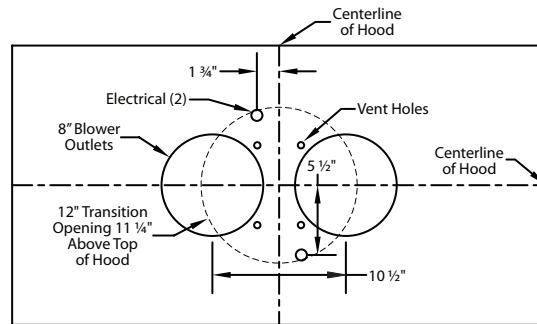
VentA Hood® ISLAND LINER INSERT SPECIFICATIONS

THPSLE Equipped with halogen lighting. Not available with heat lamps.



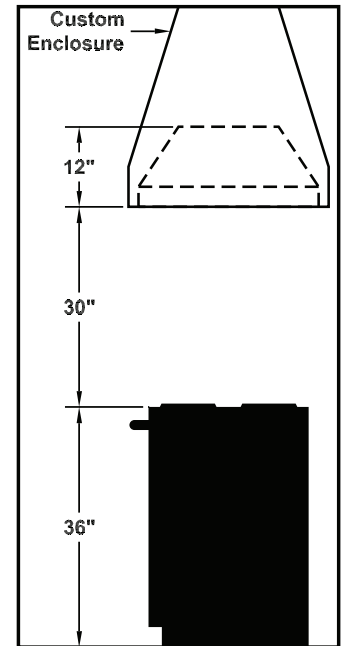
THPSLE

Connection Diagram (48" - 66" Widths)

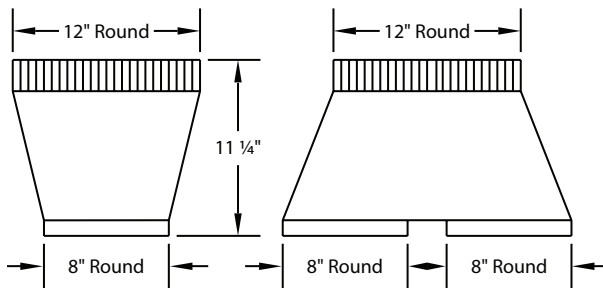


**1100 CFM T400 Cluster Blower
(Top View)**

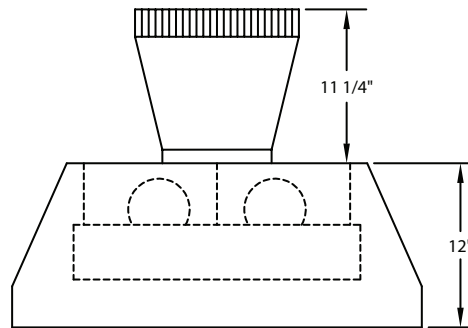
Recommended Mounting Height*



*Recommended mounting height is for optimum performance.



**VP564 Standard Transition
(Included)**



**Transition Installed
(Side View)**

Electrical/Mechanical Specifications For Blower Units

Model	Volts	Amps*	Hz	RPM	CFM SP@0.0"	Equivalent CFM*	CFM SP@0.1"	CFM SP@0.2"	CFM SP@0.3"	Minimum Round Duct Size	Sones#
T400 Island Cluster	115	5.8	60	1550	1100	1800	998	855	774	12" (113 in. ²)	6.4

* Add 0.5 amp for each halogen light. Hood is available with halogen lights (one in each corner).

• Because the Magic Lung® blower uses centrifugal filtration rather than conventional baffle or mesh filters, the Magic Lung® blower can handle cooking equipment with higher cubic feet per minute (CFM) requirements and can deliver equivalent CFM much more efficiently than other filtration systems. When comparing the Magic Lung® with other blower units made by other manufacturers, use the "Equivalent CFM".

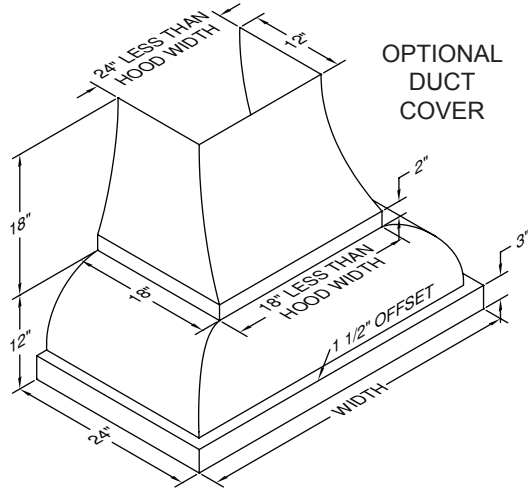
Ratings in accordance with the Standard Test Code by the Energy Systems Laboratory of the Texas Engineering Experiment Station.

Vent Hood®

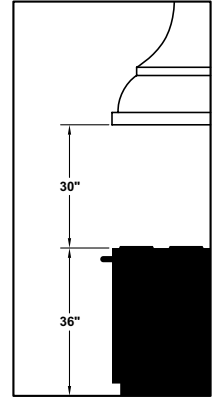
DESIGNER SERIES

SUBJECT TO CHANGE WITHOUT NOTICE

JCH/A1 Series Equipped with halogen lighting. Not available with heat lamps. Shown with optional duct cover (sold separately). Optional duct covers available in standard and custom sizes.

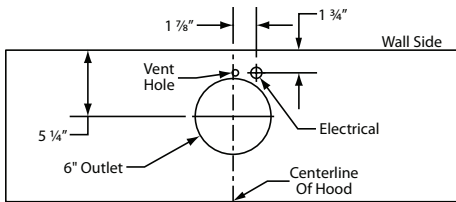


Recommended Mounting Height

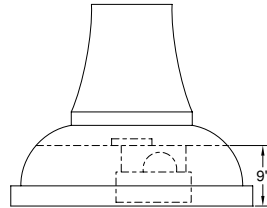


*Recommended mounting height is for optimum performance.

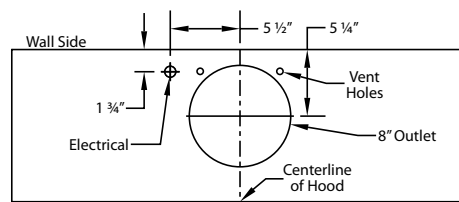
Connection Diagrams (36" - 48" Widths)



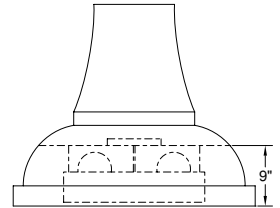
B100 Single Blower (Top View)



(Front View)

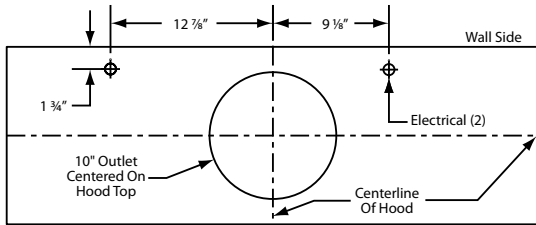


B200 Dual Blower (Top View)

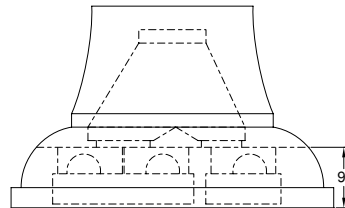


(Front View)

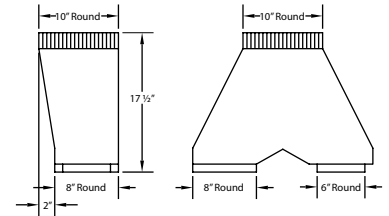
Connection Diagram (48" - 60" Widths)



900 CFM B200 Dual & B100 Single Blower (Top View)

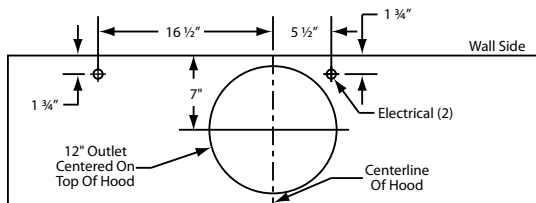


VP562 Standard Transition Installed (Front View)

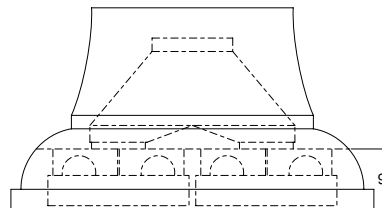


VP562 Standard Transition Included

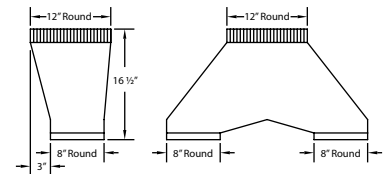
Connection Diagram (54" - 66" Widths)



1200 CFM Double B200 Dual Blowers (Top View)



VP563 Standard Transition Installed (Front View)



VP563 Standard Transition Included

Electrical/Mechanical Specifications For Blower Units

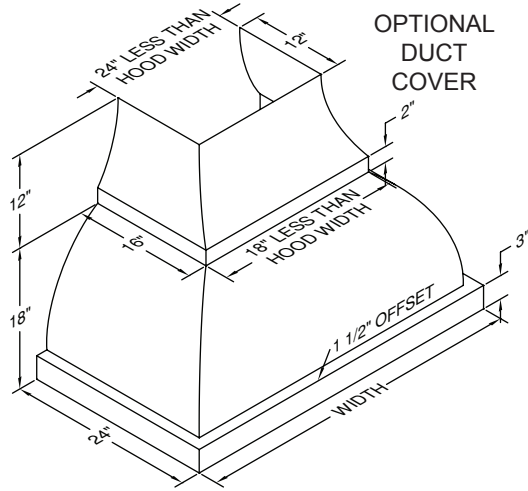
Model	Volts	Amps*	Hz	RPM	CFM SP@0.0"	Equivalent CFM*	CFM SP@0.1"	CFM SP@0.2"	CFM SP@0.3"	Minimum Round Duct Size	Sones#
B100 Single	115	1.5	60	1550	300	450	273	245	225	6" (28 in. ²)	5.4
B200 Dual	115	2.9	60	1550	600	900	531	480	430	8" (50 in. ²)	6.5
B200 Dual & B100 Single	115	4.4	60	1550	900	1350	804	725	655	VP562: 10" (79 in. ²)	6.3
Two B200 Duals	115	5.8	60	1550	1200	1800	1062	960	860	VP563: 12" (113 in. ²)	6.6

* Add 0.5 amp for each halogen light. Hoods are available with halogen lights (2 lights: 30" - 41", 3 lights: 42" - 53", 4 lights: 54" - 66").

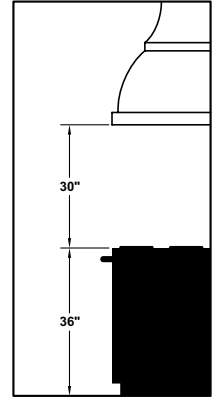
Because the Magic Lung® blower uses centrifugal filtration rather than conventional baffle or mesh filters, the Magic Lung® blower can handle cooking equipment with higher cubic feet per minute (CFM) requirements and can deliver equivalent CFM much more efficiently than other than other filtration systems. When comparing the Magic Lung® with other blower units made by other manufacturers, use the "Equivalent CFM".

Ratings in accordance with the Standard Test Code by the Energy Systems Laboratory of the Texas Engineering Experiment Station.

JCH/B1 Series Equipped with halogen lighting. Not available with heat lamps. Shown with optional duct cover (sold separately). Optional duct covers available in standard and custom sizes.

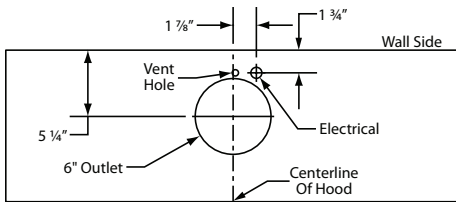


Recommended Mounting Height

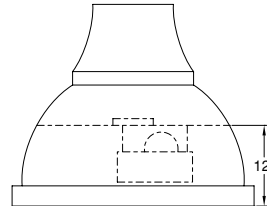


*Recommended mounting height is for optimum performance.

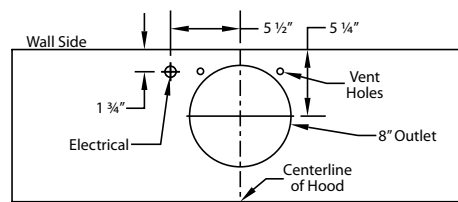
Connection Diagrams (36" - 48" Widths)



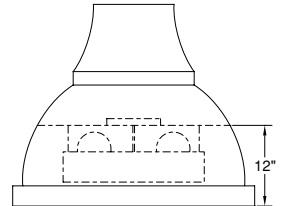
B100 Single Blower (Top View)



(Front View)

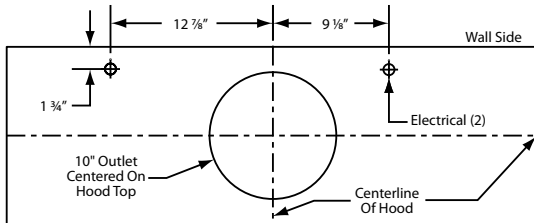


B200 Dual Blower (Top View)

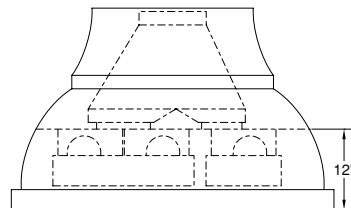


(Front View)

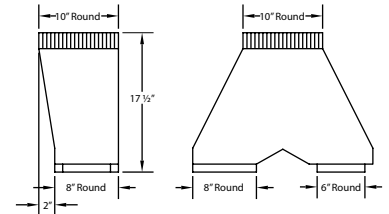
Connection Diagram (48" - 60" Widths)



900 CFM B200 Dual & B100 Single Blower (Top View)

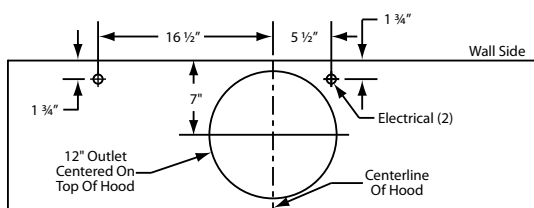


VP562 Standard Transition Installed (Front View)

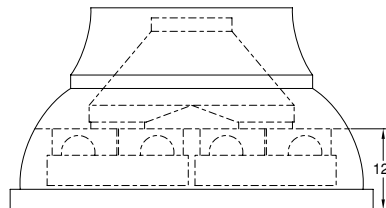


VP562 Standard Transition Included

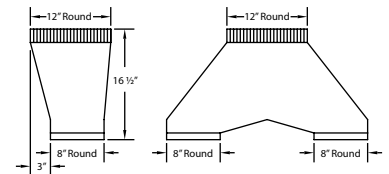
Connection Diagram (54" - 66" Widths)



1200 CFM Double B200 Dual Blowers (Top View)



VP563 Standard Transition Installed (Front View)



VP563 Standard Transition Included

Electrical/Mechanical Specifications For Blower Units

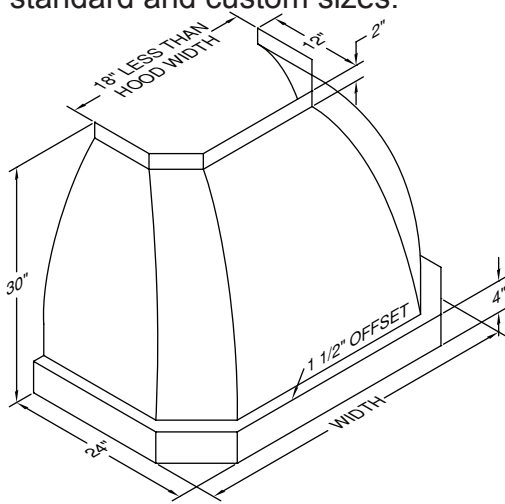
Model	Volts	Amps*	Hz	RPM	CFM SP@0.0"	Equivalent CFM*	CFM SP@0.1"	CFM SP@0.2"	CFM SP@0.3"	Minimum Round Duct Size	Sones#
B100 Single	115	1.5	60	1550	300	450	273	245	225	6" (28 in. ²)	5.4
B200 Dual	115	2.9	60	1550	600	900	531	480	430	8" (50 in. ²)	6.5
B200 Dual & B100 Single	115	4.4	60	1550	900	1350	804	725	655	VP562: 10" (79 in. ²)	6.3
Two B200 Duals	115	5.8	60	1550	1200	1800	1062	960	860	VP563: 12" (113 in. ²)	6.6

* Add 0.5 amp for each halogen light. Hoods are available with halogen lights (2 lights: 30" - 41", 3 lights: 42" - 53", 4 lights: 54" - 66").

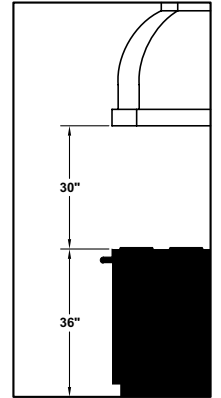
Because the Magic Lung® blower uses centrifugal filtration rather than conventional baffle or mesh filters, the Magic Lung® blower can handle cooking equipment with higher cubic feet per minute (CFM) requirements and can deliver equivalent CFM much more efficiently than other than other filtration systems. When comparing the Magic Lung® with other blower units made by other manufacturers, use the "Equivalent CFM".

Ratings in accordance with the Standard Test Code by the Energy Systems Laboratory of the Texas Engineering Experiment Station.

JCH/C1 Series Equipped with halogen lighting. Not available with heat lamps. Optional duct covers available in standard and custom sizes.

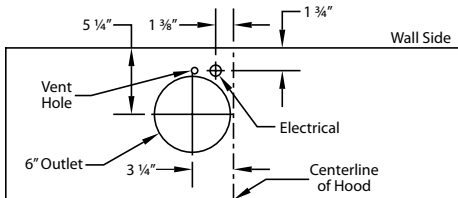


Recommended Mounting Height

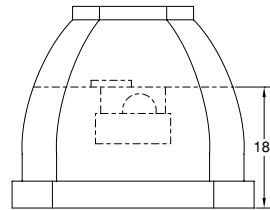


*Recommended mounting height is for optimum performance.

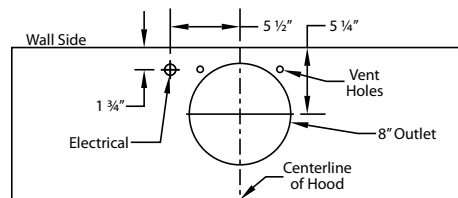
Connection Diagrams (36" - 48" Widths)



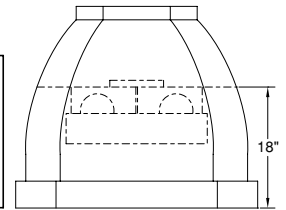
B100 Single Blower (Top View)



(Front View)

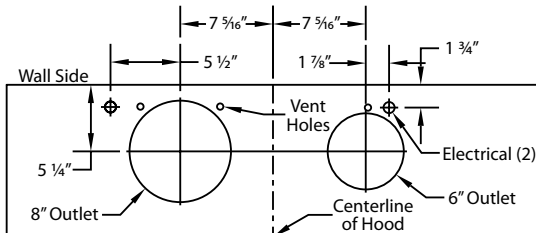


B200 Dual Blower (Top View)

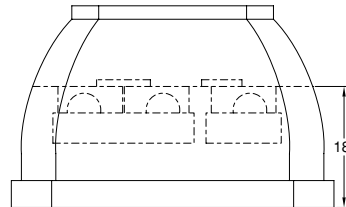


(Front View)

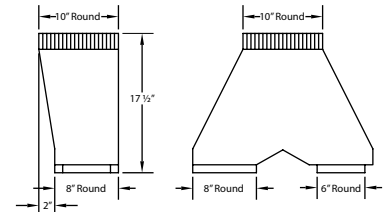
Connection Diagram (48" - 60" Widths)



900 CFM B200 Dual & B100 Single Blower (Top View)

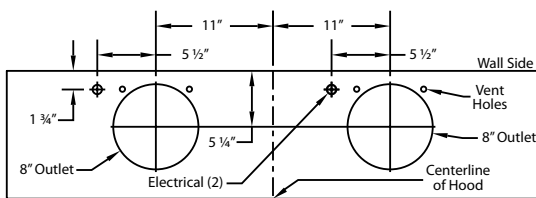


(Front View)

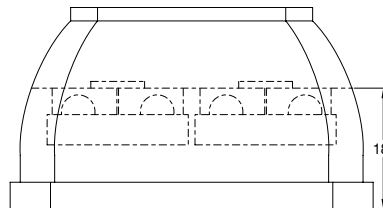


VP562 Standard Transition Optional

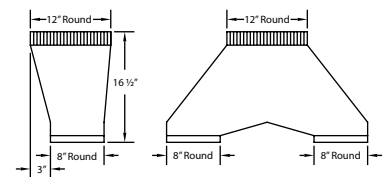
Connection Diagram (54" - 66" Widths)



1200 CFM Double B200 Dual Blowers (Top View)



(Front View)



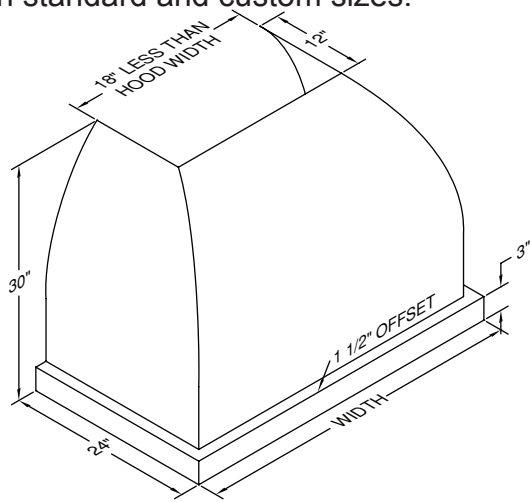
VP563 Standard Transition Optional

Electrical/Mechanical Specifications For Blower Units

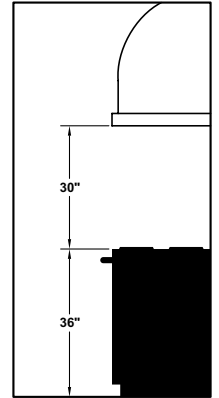
Model	Volts	Amps*	Hz	RPM	CFM SP@0.0"	Equivalent CFM*	CFM SP@0.1"	CFM SP@0.2"	CFM SP@0.3"	Minimum Round Duct Size	Sones#
B100 Single	115	1.5	60	1550	300	450	273	245	225	6" (28 in. ²)	5.4
B200 Dual	115	2.9	60	1550	600	900	531	480	430	8" (50 in. ²)	6.5
B200 Dual & B100 Single	115	4.4	60	1550	900	1350	804	725	655	VP562: 10" (79 in. ²)	6.3
Two B200 Duals	115	5.8	60	1550	1200	1800	1062	960	860	VP563: 12" (113 in. ²)	6.6

* Add 0.5 amp for each halogen light. Hoods are available with halogen lights (2 lights: 30" - 41", 3 lights: 42" - 53", 4 lights: 54" - 66").
 # Because the Magic Lung® blower uses centrifugal filtration rather than conventional baffle or mesh filters, the Magic Lung® blower can handle cooking equipment with higher cubic feet per minute (CFM) requirements and can deliver equivalent CFM much more efficiently than other than other filtration systems. When comparing the Magic Lung® with other blower units made by other manufacturers, use the "Equivalent CFM".
 # Ratings in accordance with the Standard Test Code by the Energy Systems Laboratory of the Texas Engineering Experiment Station.

JCH/C2 Series Equipped with halogen lighting. Not available with heat lamps. Optional duct covers available in standard and custom sizes.

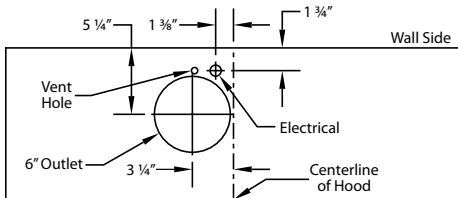


Recommended Mounting Height

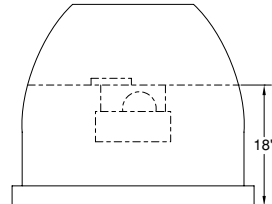


*Recommended mounting height is for optimum performance.

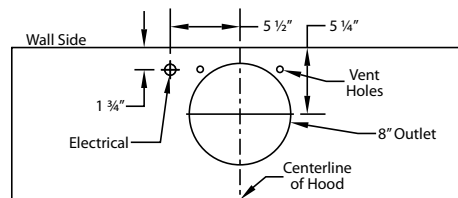
Connection Diagrams (36" - 48" Widths)



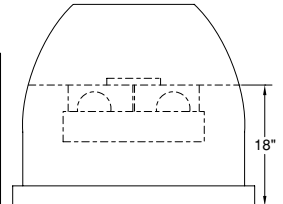
B100 Single Blower (Top View)



(Front View)

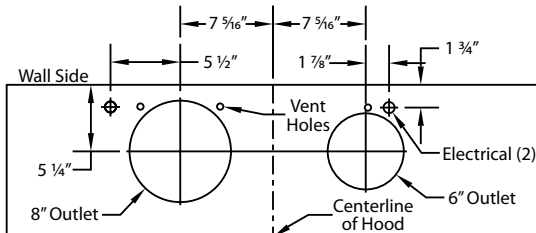


B200 Dual Blower (Top View)

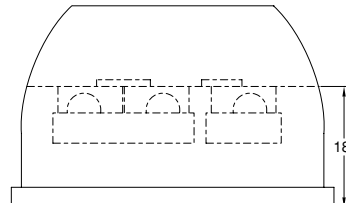


(Front View)

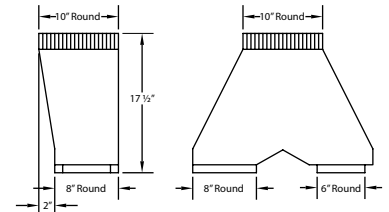
Connection Diagram (48" - 60" Widths)



900 CFM B200 Dual & B100 Single Blower (Top View)

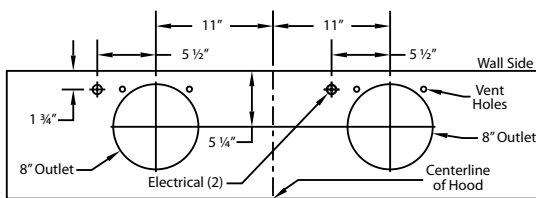


(Front View)

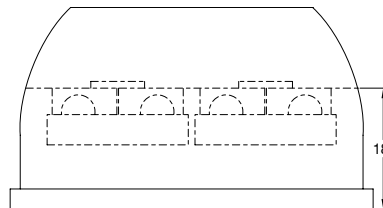


VP562 Standard Transition Optional

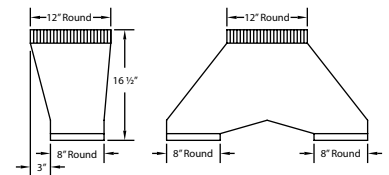
Connection Diagram (54" - 66" Widths)



1200 CFM Double B200 Dual Blowers (Top View)



(Front View)



VP563 Standard Transition Optional

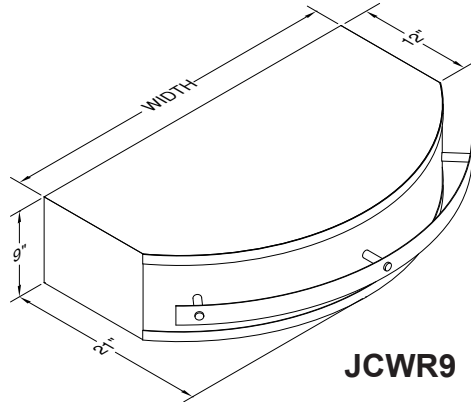
Electrical/Mechanical Specifications For Blower Units

Model	Volts	Amps*	Hz	RPM	CFM SP@0.0"	Equivalent CFM*	CFM SP@0.1"	CFM SP@0.2"	CFM SP@0.3"	Minimum Round Duct Size	Sones#
B100 Single	115	1.5	60	1550	300	450	273	245	225	6" (28 in. ²)	5.4
B200 Dual	115	2.9	60	1550	600	900	531	480	430	8" (50 in. ²)	6.5
B200 Dual & B100 Single	115	4.4	60	1550	900	1350	804	725	655	VP562: 10" (79 in. ²)	6.3
Two B200 Duals	115	5.8	60	1550	1200	1800	1062	960	860	VP563: 12" (113 in. ²)	6.6

* Add 0.5 amp for each halogen light. Hoods are available with halogen lights (2 lights: 30" - 41", 3 lights: 42" - 53", 4 lights: 54" - 66").
 # Because the Magic Lung® blower uses centrifugal filtration rather than conventional baffle or mesh filters, the Magic Lung® blower can handle cooking equipment with higher cubic feet per minute (CFM) requirements and can deliver equivalent CFM much more efficiently than other than other filtration systems. When comparing the Magic Lung® with other blower units made by other manufacturers, use the "Equivalent CFM".
 # Ratings in accordance with the Standard Test Code by the Energy Systems Laboratory of the Texas Engineering Experiment Station.

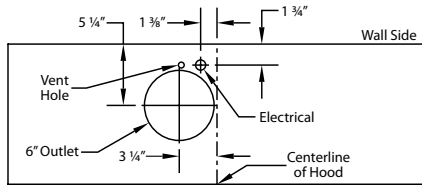
Vent-A-Hood® UNDER CABINET RANGE HOOD SPECIFICATIONS

JCWR9 Equipped with halogen lighting. WL-1 warming lights are available on selected models.

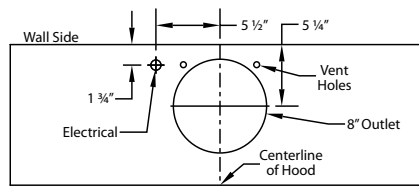


JCWR9

Connection Diagram (30" - 48" Widths)

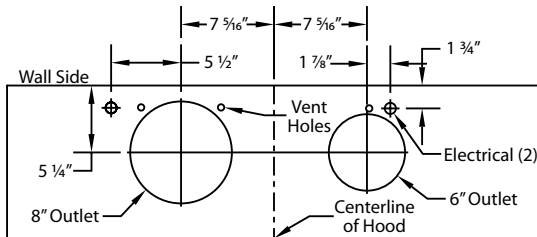


300 CFM B100 Single Blower (Top View)

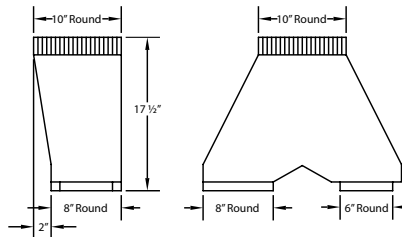


600 CFM B200 Dual Blower (Top View)

Connection Diagram (42" - 48" Widths)

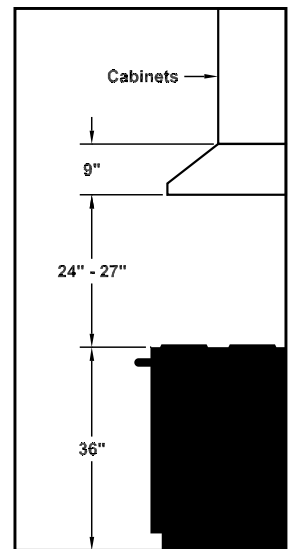


900 CFM B200 Dual & B100 Single Blower (Top View)



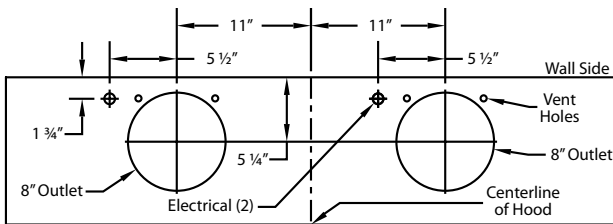
VP562 Transition (Optional) For B300 (B200 Dual Blower & B100 Single Blower)

Recommended Mounting Height*

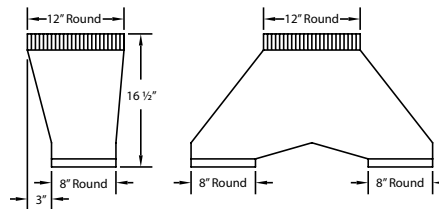


*Recommended mounting height is for optimum performance.

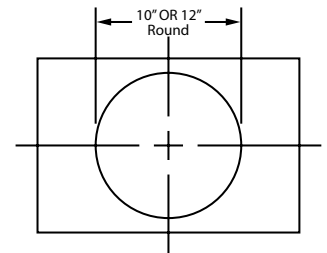
Connection Diagram (48" Width)



1200 CFM Double B200 Dual Blowers (Top View)



VP563 Transition (Optional) For B400 (Double B200 Dual Blowers)



VP562/VP563 transition centers outlet over top of hood

Electrical/Mechanical Specifications For Blower Units

Model	Volts	Amps*	Hz	RPM	CFM SP@0.0"	Equivalent CFM*	CFM SP@0.1"	CFM SP@0.2"	CFM SP@0.3"	Minimum Round Duct Size	Sones#
B100 Single	115	1.5	60	1550	300	450	273	245	225	6" (28 in. ²)	5.4
B200 Dual	115	2.9	60	1550	600	900	531	480	430	8" (50 in. ²)	6.5
B200 Dual & B100 Single	115	4.4	60	1550	900	1350	804	725	655	VP562: 10" (79 in. ²)	6.3
Two B200 Duals	115	5.8	60	1550	1200	1800	1062	960	860	VP563: 12" (113 in. ²)	6.6

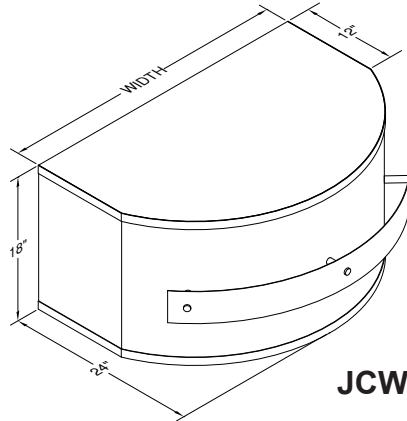
* Add 2.5 amp for each warming light and 0.5 amp for each halogen light. The JCWR9 is available with halogen lights (2 lights: 30" - 41", 3 lights: 42" - 48").

Because the Magic Lung® blower uses centrifugal filtration rather than conventional baffle or mesh filters, the Magic Lung® blower can handle cooking equipment with higher cubic feet per minute (CFM) requirements and can deliver equivalent CFM much more efficiently than other than other filtration systems. When comparing the Magic Lung® with other blower units made by other manufacturers, use the "Equivalent CFM".

Ratings in accordance with the Standard Test Code by the Energy Systems Laboratory of the Texas Engineering Experiment Station.

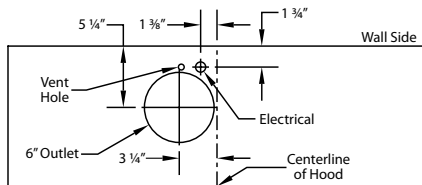
Vent-A-Hood® WALL MOUNT RANGE HOOD SPECIFICATIONS

JCWR18 Equipped with halogen lighting. WBAR warming light bar is available on selected models.

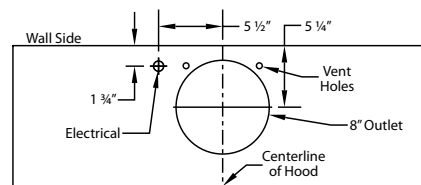


JCWR18

Connection Diagrams (30" - 48" Widths)

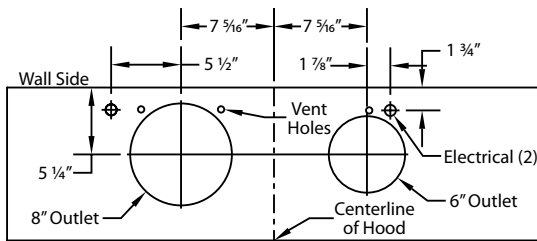


300 CFM B100 Single Blower (Top View)

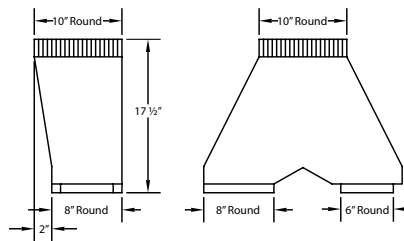


600 CFM Dual Blower (Top View)

Connection Diagram (42" - 60" Widths)

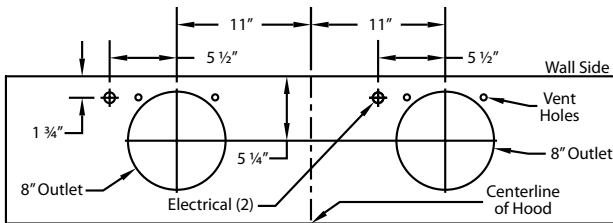


900 CFM B200 Dual & B100 Single Blower (Top View)

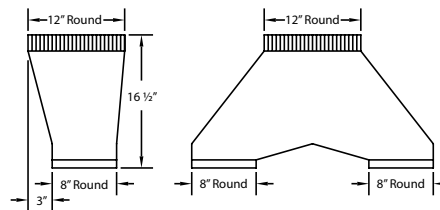


VP562 Transition (Optional) For B300 (B200 Dual Blower & B100 Single Blower)

Connection Diagram (48" - 66" Widths)

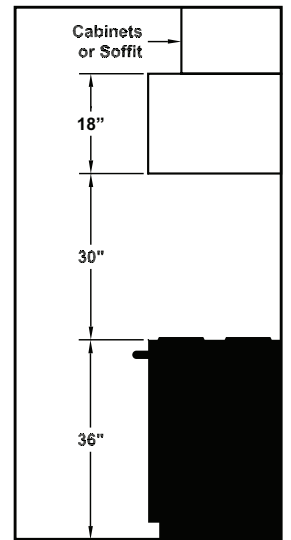


1200 CFM Double B200 Dual Blowers (Top View)

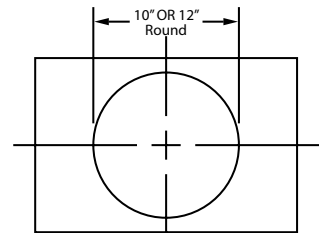


VP563 Transition (Optional) For B400 (Double B200 Dual Blowers)

Recommended Mounting Height*



*Recommended mounting height is for optimum performance.



VP562/VP563 transition centers outlet over top of hood

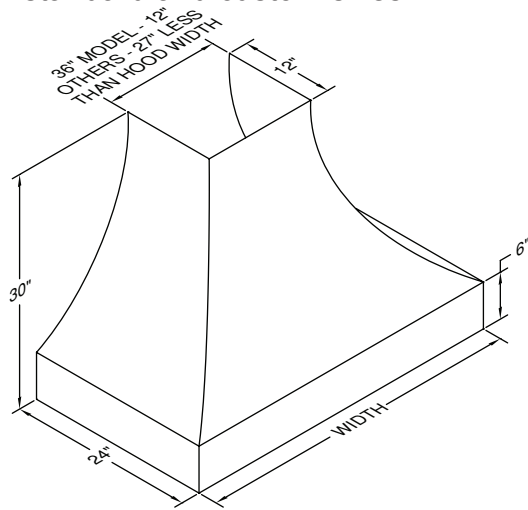
Electrical/Mechanical Specifications For Blower Units

Model	Volts	Amps*	Hz	RPM	CFM SP@0.0"	Equivalent CFM*	CFM SP@0.1"	CFM SP@0.2"	CFM SP@0.3"	Minimum Round Duct Size	Sones#
B100 Single	115	1.5	60	1550	300	450	273	245	225	6" (28 in. ²)	5.4
B200 Dual	115	2.9	60	1550	600	900	531	480	430	8" (50 in. ²)	6.5
B200 Dual & B100 Single	115	4.4	60	1550	900	1350	804	725	655	VP562: 10" (79 in. ²)	6.3
Two B200 Duals	115	5.8	60	1550	1200	1800	1062	960	860	VP563: 12" (113 in. ²)	6.6

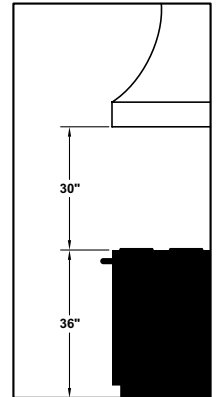
* Add 2.5 amp for each warming light and 0.5 amp for each halogen light. Hood is available with halogen lights (2 lights: 30" - 41", 3 lights: 42" - 53", 4 lights: 54" - 66", +1 light for each 14" if over 66").
 • Because the Magic Lung® blower uses centrifugal filtration rather than conventional baffle or mesh filters, the Magic Lung® blower can handle cooking equipment with higher cubic feet per minute (CFM) requirements and can deliver equivalent CFM much more efficiently than other than other filtration systems. When comparing the Magic Lung® with other blower units made by other manufacturers, use the "Equivalent CFM".
 # Ratings in accordance with the Standard Test Code by the Energy Systems Laboratory of the Texas Engineering Experiment Station.



JDH/C1 Series Equipped with halogen lighting. Not available with heat lamps. Optional duct covers available in standard and custom sizes.

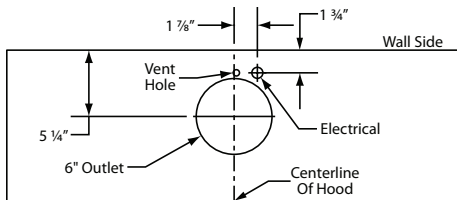


Recommended Mounting Height

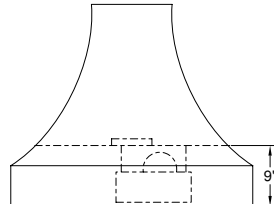


*Recommended mounting height is for optimum performance.

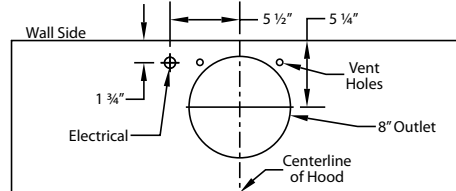
Connection Diagrams (36" - 48" Widths)



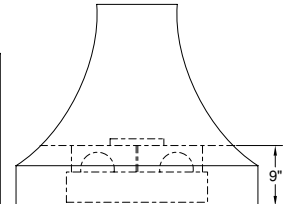
B100 Single Blower (Top View)



(Front View)

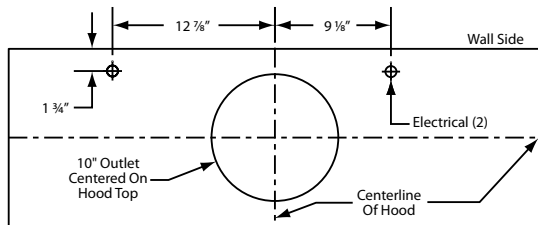


B200 Dual Blower (Top View)

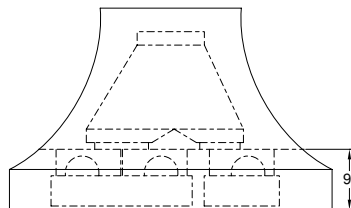


(Front View)

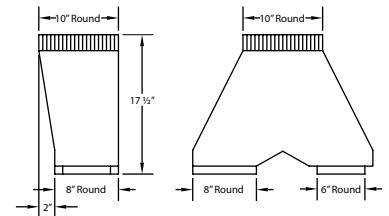
Connection Diagram (48" - 60" Widths)



900 CFM B200 Dual & B100 Single Blower (Top View)

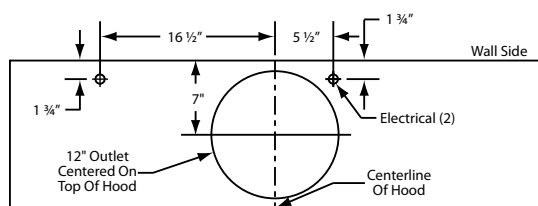


VP562 Standard Transition Installed (Front View)

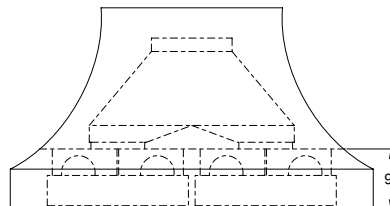


VP562 Standard Transition Included

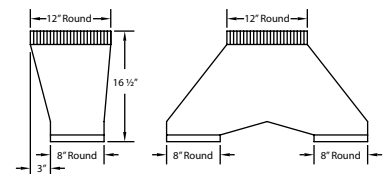
Connection Diagram (54" - 66" Widths)



1200 CFM Double B200 Dual Blowers (Top View)



VP563 Standard Transition Installed (Front View)



VP563 Standard Transition Included

Electrical/Mechanical Specifications For Blower Units

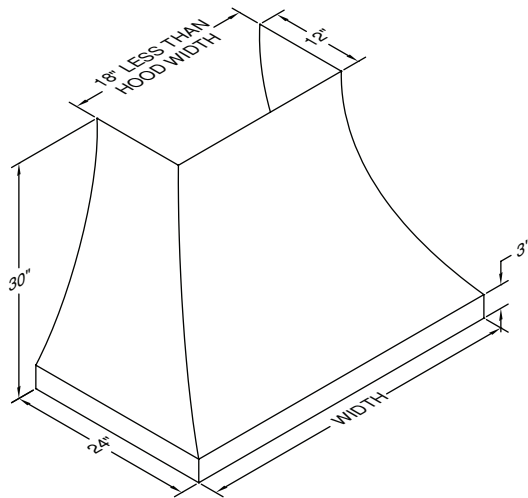
Model	Volts	Amps*	Hz	RPM	CFM SP@0.0"	Equivalent CFM*	CFM SP@0.1"	CFM SP@0.2"	CFM SP@0.3"	Minimum Round Duct Size	Sones#
B100 Single	115	1.5	60	1550	300	450	273	245	225	6" (28 in. ²)	5.4
B200 Dual	115	2.9	60	1550	600	900	531	480	430	8" (50 in. ²)	6.5
B200 Dual & B100 Single	115	4.4	60	1550	900	1350	804	725	655	VP562: 10" (79 in. ²)	6.3
Two B200 Duals	115	5.8	60	1550	1200	1800	1062	960	860	VP563: 12" (113 in. ²)	6.6

* Add 0.5 amp for each halogen light. Hoods are available with halogen lights (2 lights: 30" - 41", 3 lights: 42" - 53", 4 lights: 54" - 66").

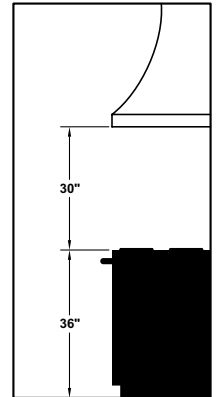
Because the Magic Lung® blower uses centrifugal filtration rather than conventional baffle or mesh filters, the Magic Lung® blower can handle cooking equipment with higher cubic feet per minute (CFM) requirements and can deliver equivalent CFM much more efficiently than other than other filtration systems. When comparing the Magic Lung® with other blower units made by other manufacturers, use the "Equivalent CFM".

Ratings in accordance with the Standard Test Code by the Energy Systems Laboratory of the Texas Engineering Experiment Station.

JDH/C2 Series Equipped with halogen lighting. Not available with heat lamps. Optional duct covers available in standard and custom sizes.

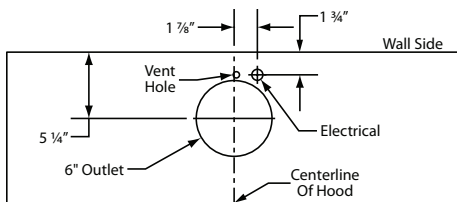


Recommended Mounting Height

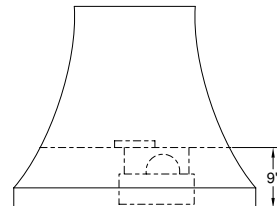


*Recommended mounting height is for optimum performance.

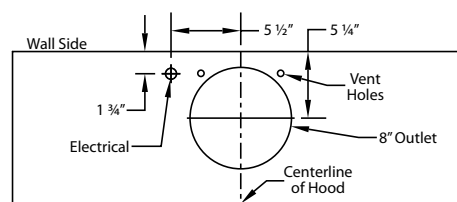
Connection Diagrams (36" - 48" Widths)



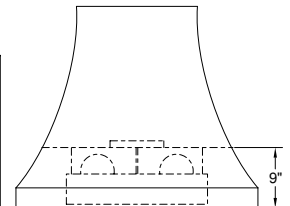
B100 Single Blower (Top View)



(Front View)

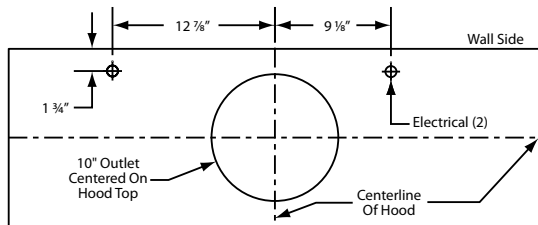


B200 Dual Blower (Top View)

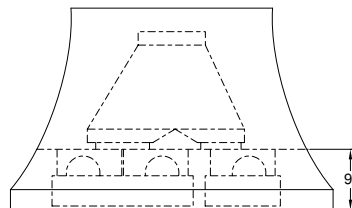


(Front View)

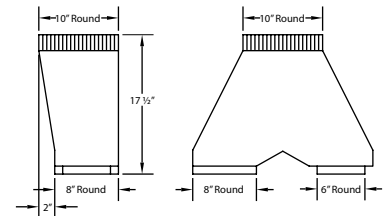
Connection Diagram (48" - 60" Widths)



900 CFM B200 Dual & B100 Single Blower (Top View)

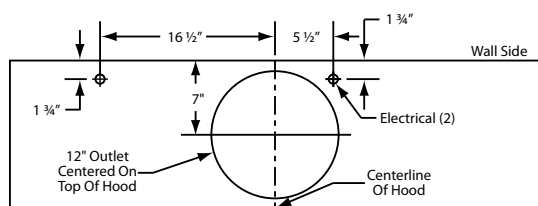


VP562 Standard Transition Installed (Front View)

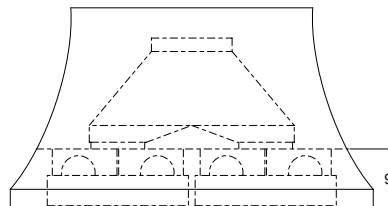


VP562 Standard Transition Included

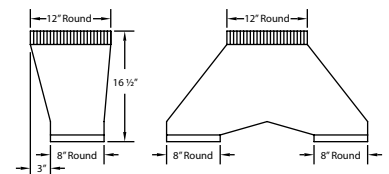
Connection Diagram (54" - 66" Widths)



1200 CFM Double B200 Dual Blowers (Top View)



VP563 Standard Transition Installed (Front View)



VP563 Standard Transition Included

Electrical/Mechanical Specifications For Blower Units

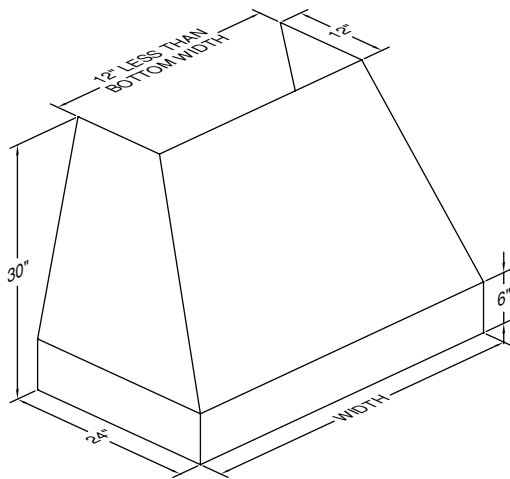
Model	Volts	Amps*	Hz	RPM	CFM SP@0.0"	Equivalent CFM*	CFM SP@0.1"	CFM SP@0.2"	CFM SP@0.3"	Minimum Round Duct Size	Sones#
B100 Single	115	1.5	60	1550	300	450	273	245	225	6" (28 in. ²)	5.4
B200 Dual	115	2.9	60	1550	600	900	531	480	430	8" (50 in. ²)	6.5
B200 Dual & B100 Single	115	4.4	60	1550	900	1350	804	725	655	VP562: 10" (79 in. ²)	6.3
Two B200 Duals	115	5.8	60	1550	1200	1800	1062	960	860	VP563: 12" (113 in. ²)	6.6

* Add 0.5 amp for each halogen light. Hoods are available with halogen lights (2 lights: 30" - 41", 3 lights: 42" - 53", 4 lights: 54" - 66").

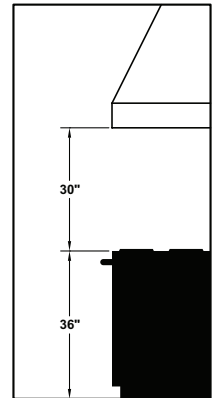
Because the Magic Lung® blower uses centrifugal filtration rather than conventional baffle or mesh filters, the Magic Lung® blower can handle cooking equipment with higher cubic feet per minute (CFM) requirements and can deliver equivalent CFM much more efficiently than other than other filtration systems. When comparing the Magic Lung® with other blower units made by other manufacturers, use the "Equivalent CFM".

Ratings in accordance with the Standard Test Code by the Energy Systems Laboratory of the Texas Engineering Experiment Station.

JPH/C1 Series Equipped with halogen lighting. Not available with heat lamps. Optional duct covers available in standard and custom sizes.

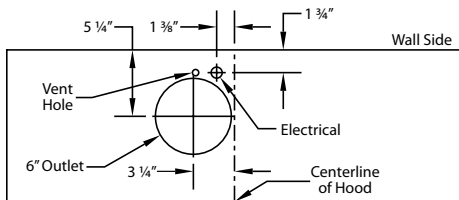


Recommended Mounting Height

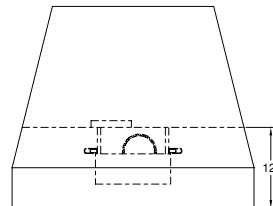


*Recommended mounting height is for optimum performance.

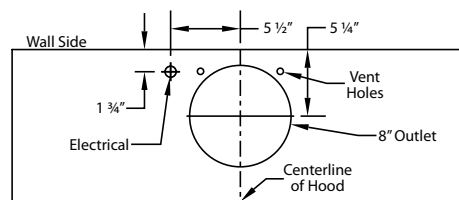
Connection Diagrams (36" - 48" Widths)



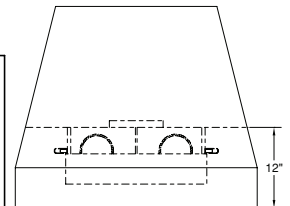
B100 Single Blower (Top View)



(Front View)

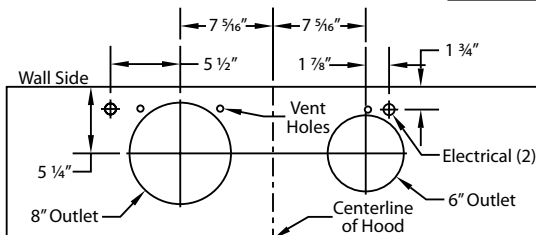


B200 Dual Blower (Top View)

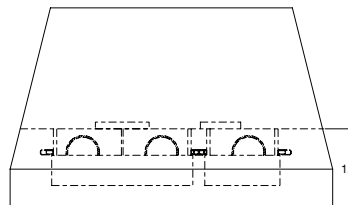


(Front View)

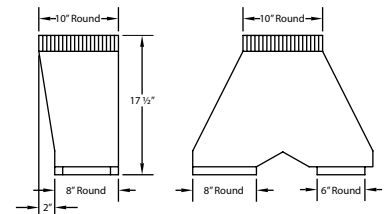
Connection Diagram (48" - 60" Widths)



900 CFM B200 Dual & B100 Single Blower (Top View)

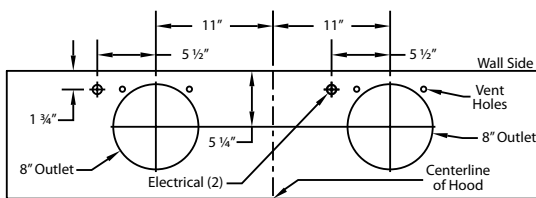


(Front View)

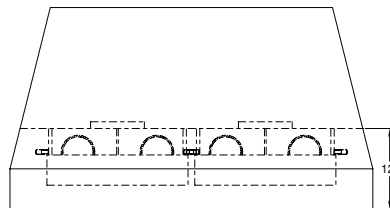


VP562 Standard Transition Optional

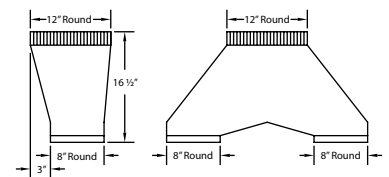
Connection Diagram (54" - 66" Widths)



1200 CFM Double B200 Dual Blowers (Top View)



(Front View)



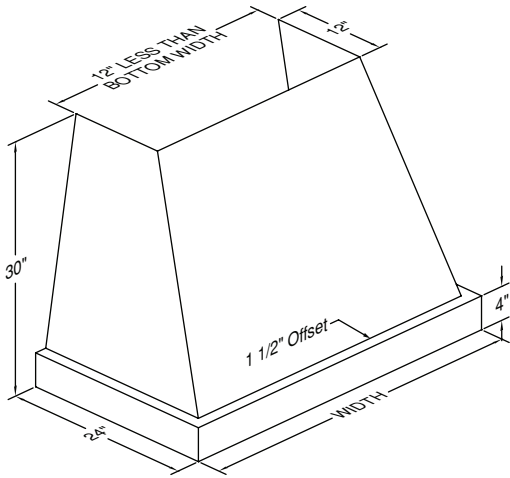
VP563 Standard Transition Optional

Electrical/Mechanical Specifications For Blower Units

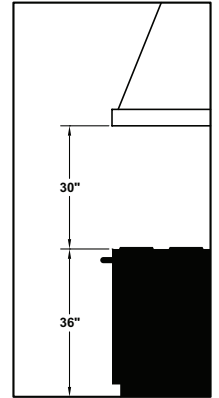
Model	Volts	Amps*	Hz	RPM	CFM SP@0.0"	Equivalent CFM*	CFM SP@0.1"	CFM SP@0.2"	CFM SP@0.3"	Minimum Round Duct Size	Sones#
B100 Single	115	1.5	60	1550	300	450	273	245	225	6" (28 in. ²)	5.4
B200 Dual	115	2.9	60	1550	600	900	531	480	430	8" (50 in. ²)	6.5
B200 Dual & B100 Single	115	4.4	60	1550	900	1350	804	725	655	VP562: 10" (79 in. ²)	6.3
Two B200 Duals	115	5.8	60	1550	1200	1800	1062	960	860	VP563: 12" (113 in. ²)	6.6

* Add 0.5 amp for each halogen light. Hoods are available with halogen lights (2 lights: 30" - 41", 3 lights: 42" - 53", 4 lights: 54" - 66").
 # Because the Magic Lung® blower uses centrifugal filtration rather than conventional baffle or mesh filters, the Magic Lung® blower can handle cooking equipment with higher cubic feet per minute (CFM) requirements and can deliver equivalent CFM much more efficiently than other than other filtration systems. When comparing the Magic Lung® with other blower units made by other manufacturers, use the "Equivalent CFM".
 # Ratings in accordance with the Standard Test Code by the Energy Systems Laboratory of the Texas Engineering Experiment Station.

JPH/C2 Series Equipped with halogen lighting. Not available with heat lamps. Optional duct covers available in standard and custom sizes.

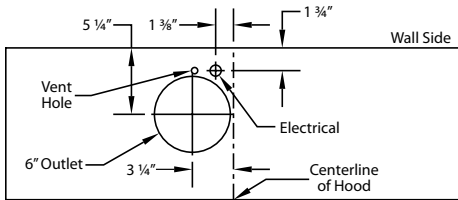


Recommended Mounting Height

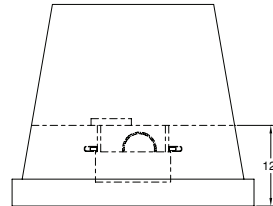


*Recommended mounting height is for optimum performance.

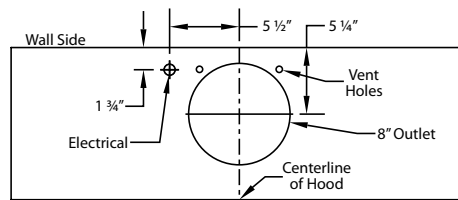
Connection Diagrams (36" - 48" Widths)



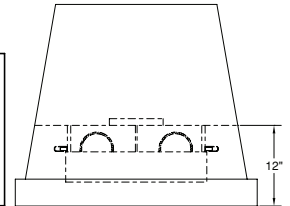
B100 Single Blower (Top View)



(Front View)

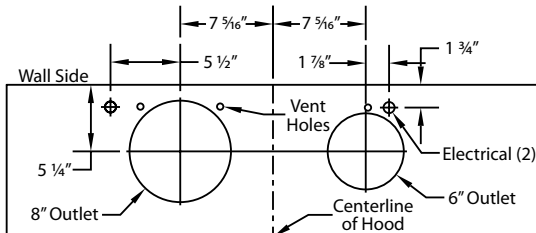


B200 Dual Blower (Top View)

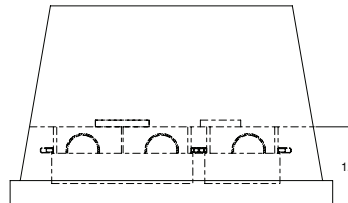


(Front View)

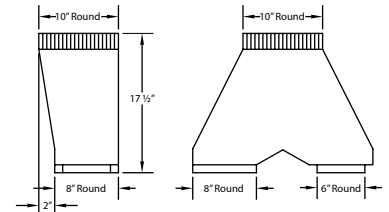
Connection Diagram (48" - 60" Widths)



900 CFM B200 Dual & B100 Single Blower (Top View)

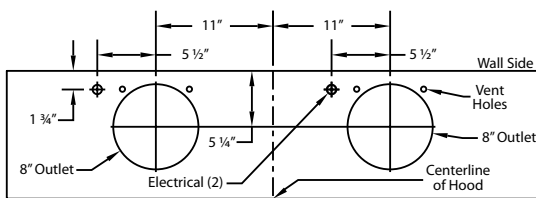


(Front View)

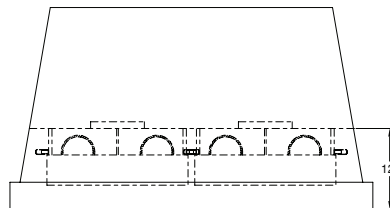


VP562 Standard Transition Optional

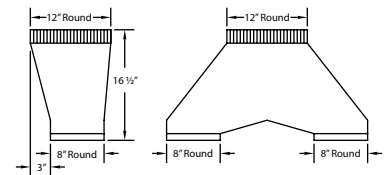
Connection Diagram (54" - 66" Widths)



1200 CFM Double B200 Dual Blowers (Top View)



(Front View)



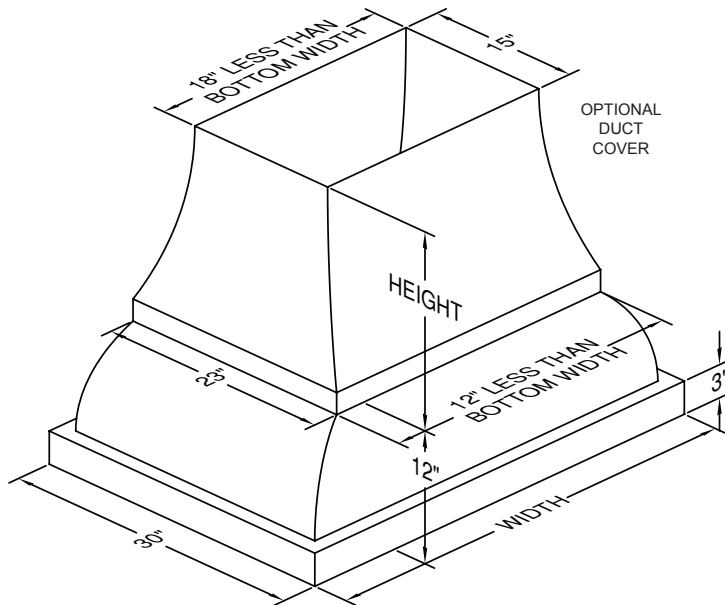
VP563 Standard Transition Optional

Electrical/Mechanical Specifications For Blower Units

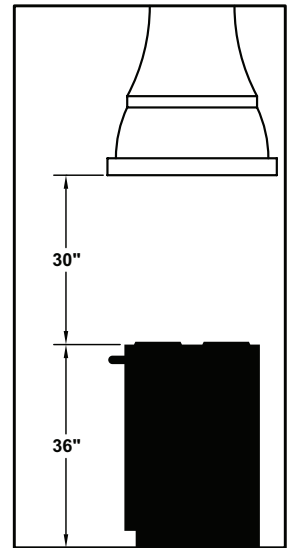
Model	Volts	Amps*	Hz	RPM	CFM SP@0.0"	Equivalent CFM*	CFM SP@0.1"	CFM SP@0.2"	CFM SP@0.3"	Minimum Round Duct Size	Sones#
B100 Single	115	1.5	60	1550	300	450	273	245	225	6" (28 in. ²)	5.4
B200 Dual	115	2.9	60	1550	600	900	531	480	430	8" (50 in. ²)	6.5
B200 Dual & B100 Single	115	4.4	60	1550	900	1350	804	725	655	VP562: 10" (79 in. ²)	6.3
Two B200 Duals	115	5.8	60	1550	1200	1800	1062	960	860	VP563: 12" (113 in. ²)	6.6

* Add 0.5 amp for each halogen light. Hoods are available with halogen lights (2 lights: 30" - 41", 3 lights: 42" - 53", 4 lights: 54" - 66").
 # Because the Magic Lung® blower uses centrifugal filtration rather than conventional baffle or mesh filters, the Magic Lung® blower can handle cooking equipment with higher cubic feet per minute (CFM) requirements and can deliver equivalent CFM much more efficiently than other than other filtration systems. When comparing the Magic Lung® with other blower units made by other manufacturers, use the "Equivalent CFM".
 # Ratings in accordance with the Standard Test Code by the Energy Systems Laboratory of the Texas Engineering Experiment Station.

JCIH/A1 Equipped with halogen lighting. Not available with heat lamps. Shown with optional duct cover (sold separately). Optional duct covers available in standard and custom sizes.

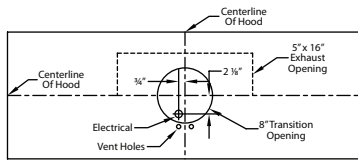


Recommended Mounting Height*

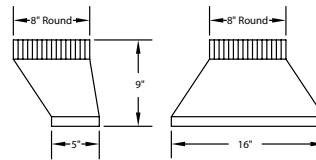


*Recommended mounting height is for optimum performance.

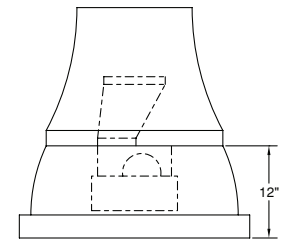
Connection Diagram (36" - 54" Widths)



550 CFM T200 Dual Blower (Top View)

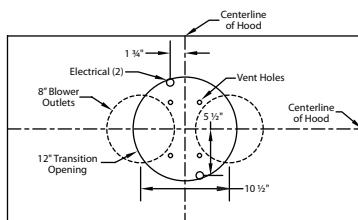


VP565 Transition (Included)

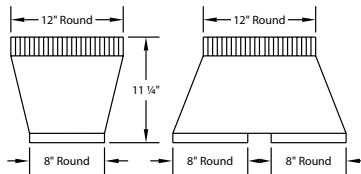


Transition Installed (Side View)

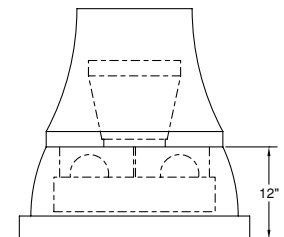
Connection Diagram (48" - 66" Widths)



1100 CFM T400 Cluster Blower (Top View)



VP564 Transition (Included)



Transition Installed (Side View)

Electrical/Mechanical Specifications For Blower Units

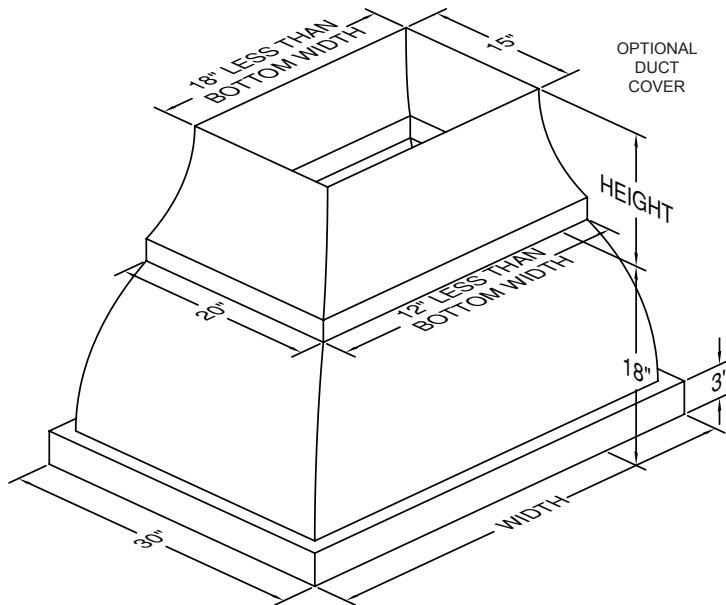
Model	Volts	Amps*	Hz	RPM	CFM SP@0.0"	Equivalent CFM*	CFM SP@0.1"	CFM SP@0.2"	CFM SP@0.3"	Minimum Round Duct Size	Sones#
T200 Island Dual	115	2.9	60	1550	550	900	507	471	431	8" (50 in. ²)	6.0
T400 Island Cluster	115	5.8	60	1550	1100	1800	998	855	774	12" (113 in. ²)	6.4

* Add 0.5 amp for each halogen light. Hood is available with halogen lights (one in each corner).

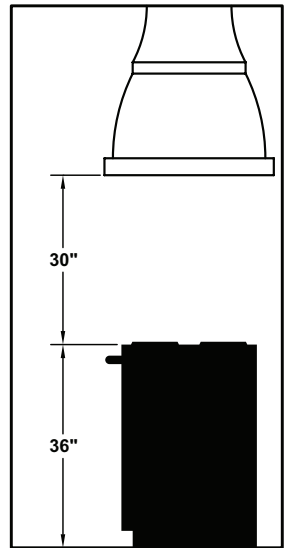
Because the Magic Lung® blower uses centrifugal filtration rather than conventional baffle or mesh filters, the Magic Lung® blower can handle cooking equipment with higher cubic feet per minute (CFM) requirements and can deliver equivalent CFM much more efficiently than other than other filtration systems. When comparing the Magic Lung® with other blower units made by other manufacturers, use the "Equivalent CFM".

Ratings in accordance with the Standard Test Code by the Energy Systems Laboratory of the Texas Engineering Experiment Station.

JCIH/B1 Equipped with halogen lighting. Not available with heat lamps. Shown with optional duct cover (sold separately). Optional duct covers available in standard and custom sizes.

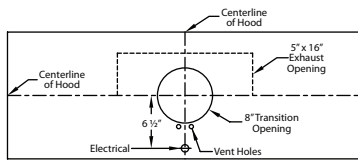


Recommended Mounting Height*

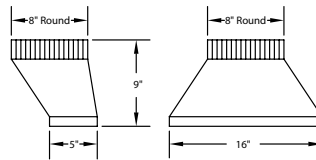


*Recommended mounting height is for optimum performance.

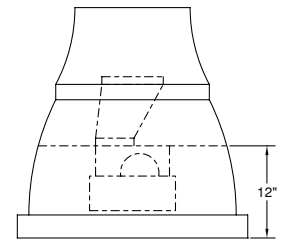
Connection Diagram (36" - 54" Widths)



550 CFM T200 Dual Blower (Top View)

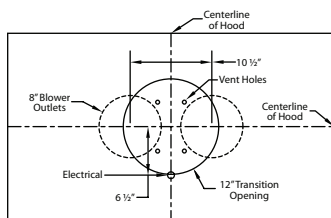


VP565 Transition (Included)

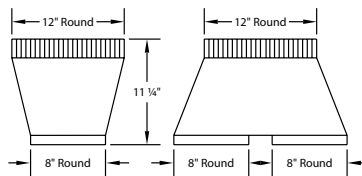


Transition Installed (Side View)

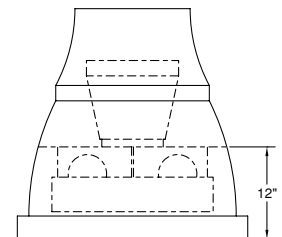
Connection Diagram (48" - 66" Widths)



1100 CFM T400 Cluster Blower (Top View)



VP564 Transition (Included)



Transition Installed (Side View)

Electrical/Mechanical Specifications For Blower Units

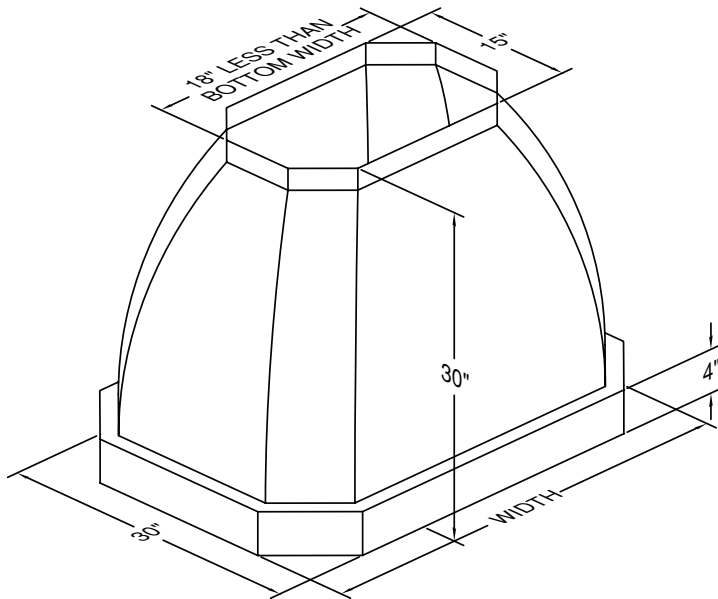
Model	Volts	Amps*	Hz	RPM	CFM SP@0.0"	Equivalent CFM*	CFM SP@0.1"	CFM SP@0.2"	CFM SP@0.3"	Minimum Round Duct Size	Sones#
T200 Island Dual	115	2.9	60	1550	550	900	507	471	431	8" (50 in. ²)	6.0
T400 Island Cluster	115	5.8	60	1550	1100	1800	998	855	774	12" (113 in. ²)	6.4

* Add 0.5 amp for each halogen light. Hood is available with halogen lights (one in each corner).

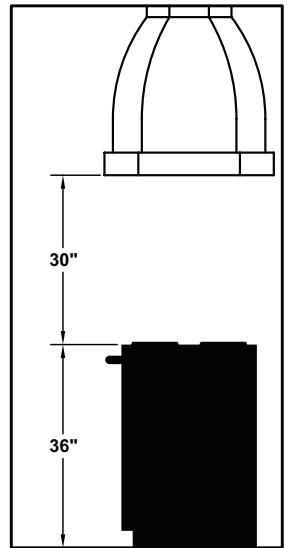
Because the Magic Lung® blower uses centrifugal filtration rather than conventional baffle or mesh filters, the Magic Lung® blower can handle cooking equipment with higher cubic feet per minute (CFM) requirements and can deliver equivalent CFM much more efficiently than other than other filtration systems. When comparing the Magic Lung® with other blower units made by other manufacturers, use the "Equivalent CFM".

Ratings in accordance with the Standard Test Code by the Energy Systems Laboratory of the Texas Engineering Experiment Station.

JCIH/C1 Equipped with halogen lighting. Not available with heat lamps. Optional duct covers available in standard and custom sizes.

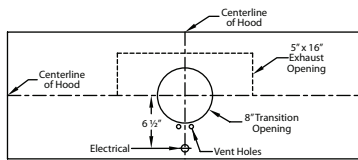


Recommended Mounting Height*

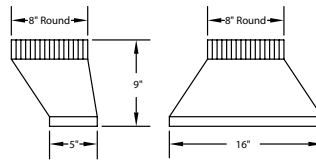


*Recommended mounting height is for optimum performance.

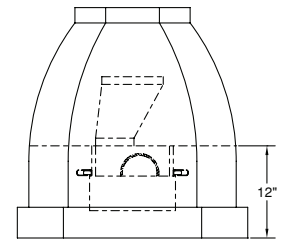
Connection Diagram (36" - 54" Widths)



550 CFM T200 Dual Blower (Top View)

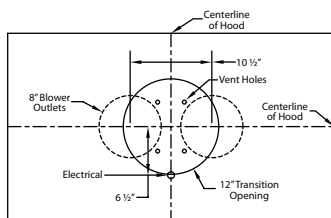


VP565 Transition (Included)

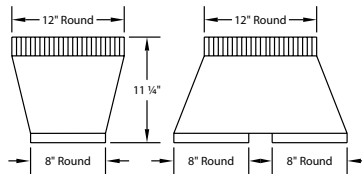


Transition Installed (Side View)

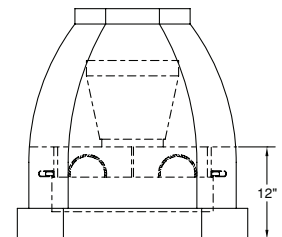
Connection Diagram (48" - 66" Widths)



1100 CFM T400 Cluster Blower (Top View)



VP564 Transition (Included)



Transition Installed (Side View)

Electrical/Mechanical Specifications For Blower Units

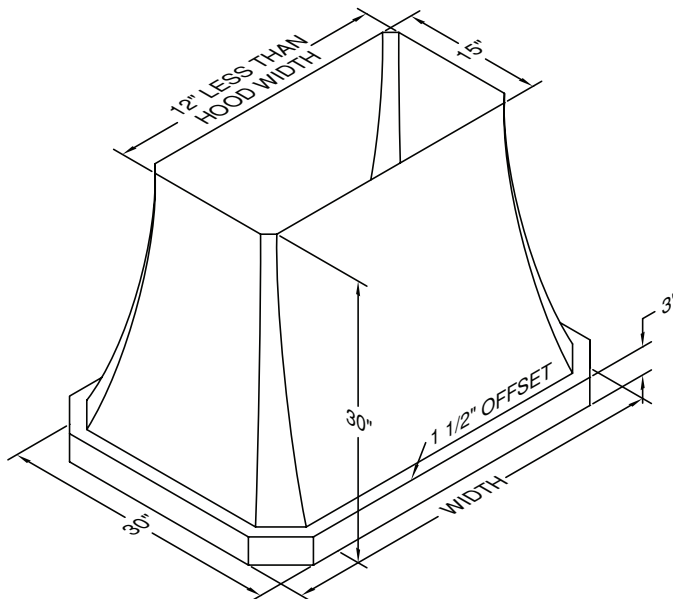
Model	Volts	Amps*	Hz	RPM	CFM SP@0.0"	Equivalent CFM*	CFM SP@0.1"	CFM SP@0.2"	CFM SP@0.3"	Minimum Round Duct Size	Sones#
T200 Island Dual	115	2.9	60	1550	550	900	507	471	431	8" (50 in. ²)	6.0
T400 Island Cluster	115	5.8	60	1550	1100	1800	998	855	774	12" (113 in. ²)	6.4

* Add 0.5 amp for each halogen light. Hood is available with halogen lights (one in each corner).

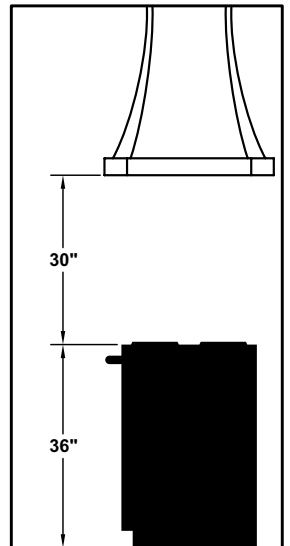
Because the Magic Lung® blower uses centrifugal filtration rather than conventional baffle or mesh filters, the Magic Lung® blower can handle cooking equipment with higher cubic feet per minute (CFM) requirements and can deliver equivalent CFM much more efficiently than other filtration systems. When comparing the Magic Lung® with other blower units made by other manufacturers, use the "Equivalent CFM".

Ratings in accordance with the Standard Test Code by the Energy Systems Laboratory of the Texas Engineering Experiment Station.

JDIH/C1 Equipped with halogen lighting. Not available with heat lamps. Optional duct covers available in standard and custom sizes.

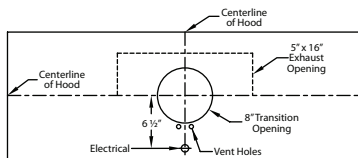


Recommended Mounting Height*

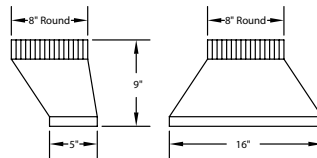


*Recommended mounting height is for optimum performance.

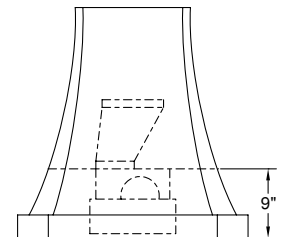
Connection Diagram (36" - 54" Widths)



550 CFM T200 Dual Blower (Top View)

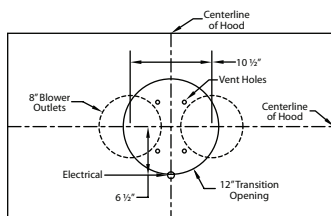


VP565 Transition (Included)

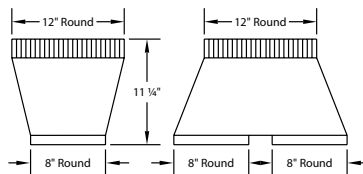


Transition Installed (Side View)

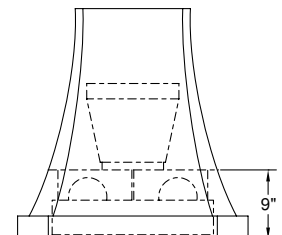
Connection Diagram (48" - 66" Widths)



1100 CFM T400 Cluster Blower (Top View)



VP564 Transition (Included)



Transition Installed (Side View)

Electrical/Mechanical Specifications For Blower Units

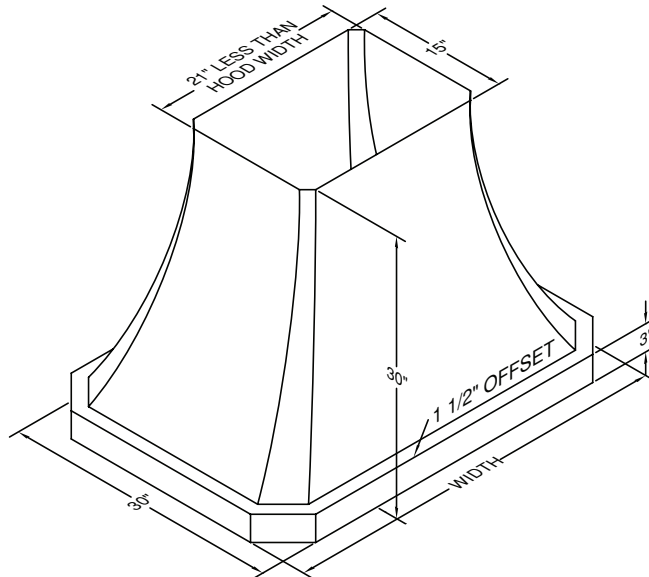
Model	Volts	Amps*	Hz	RPM	CFM SP@0.0"	Equivalent CFM*	CFM SP@0.1"	CFM SP@0.2"	CFM SP@0.3"	Minimum Round Duct Size	Sones#
T200 Island Dual	115	2.9	60	1550	550	900	507	471	431	8" (50 in. ²)	6.0
T400 Island Cluster	115	5.8	60	1550	1100	1800	998	855	774	12" (113 in. ²)	6.4

* Add 0.5 amp for each halogen light. Hood is available with halogen lights (one in each corner).

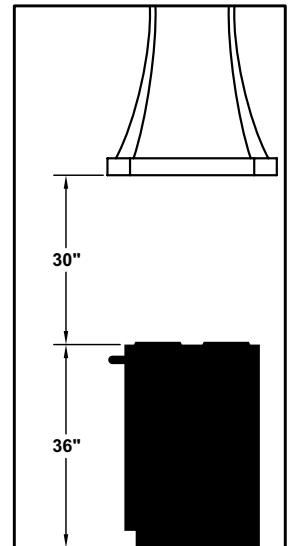
Because the Magic Lung® blower uses centrifugal filtration rather than conventional baffle or mesh filters, the Magic Lung® blower can handle cooking equipment with higher cubic feet per minute (CFM) requirements and can deliver equivalent CFM much more efficiently than other filtration systems. When comparing the Magic Lung® with other blower units made by other manufacturers, use the "Equivalent CFM".

Ratings in accordance with the Standard Test Code by the Energy Systems Laboratory of the Texas Engineering Experiment Station.

JDIH/C2 Equipped with halogen lighting. Not available with heat lamps. Optional duct covers available in standard and custom sizes.

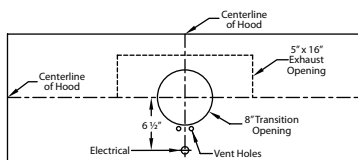


Recommended Mounting Height*

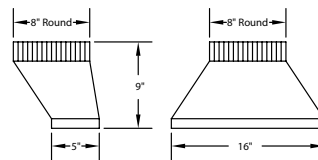


*Recommended mounting height is for optimum performance.

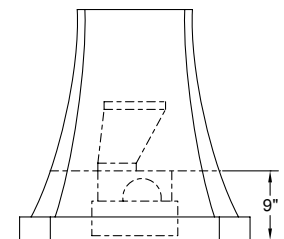
Connection Diagram (36" - 54" Widths)



550 CFM T200 Dual Blower (Top View)

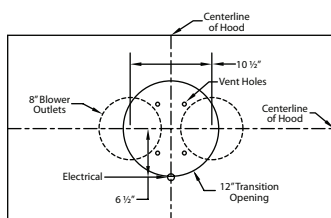


VP565 Transition (Included)

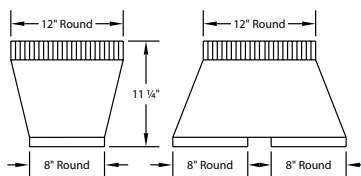


Transition Installed (Side View)

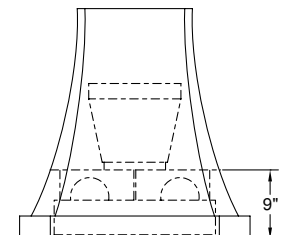
Connection Diagram (48" - 66" Widths)



1100 CFM T400 Cluster Blower (Top View)



VP564 Transition (Included)



Transition Installed (Side View)

Electrical/Mechanical Specifications For Blower Units

Model	Volts	Amps*	Hz	RPM	CFM SP@0.0"	Equivalent CFM*	CFM SP@0.1"	CFM SP@0.2"	CFM SP@0.3"	Minimum Round Duct Size	Sones#
T200 Island Dual	115	2.9	60	1550	550	900	507	471	431	8" (50 in. ²)	6.0
T400 Island Cluster	115	5.8	60	1550	1100	1800	998	855	774	12" (113 in. ²)	6.4

* Add 0.5 amp for each halogen light. Hood is available with halogen lights (one in each corner).

Because the Magic Lung® blower uses centrifugal filtration rather than conventional baffle or mesh filters, the Magic Lung® blower can handle cooking equipment with higher cubic feet per minute (CFM) requirements and can deliver equivalent CFM much more efficiently than other than other filtration systems. When comparing the Magic Lung® with other blower units made by other manufacturers, use the "Equivalent CFM".

Ratings in accordance with the Standard Test Code by the Energy Systems Laboratory of the Texas Engineering Experiment Station.

Vent Hood[®]

M SERIES

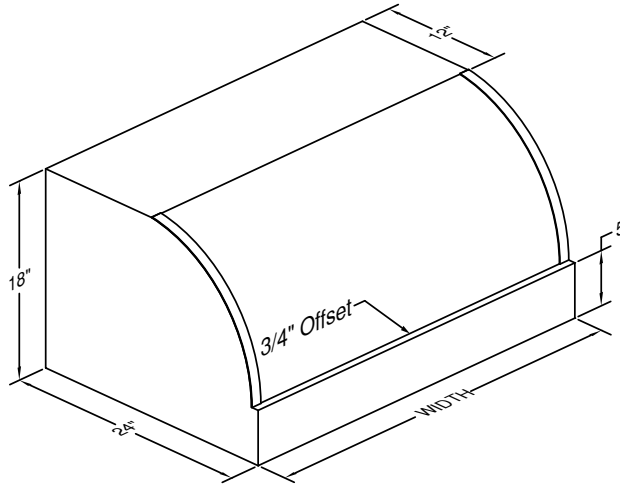
SUBJECT TO CHANGE WITHOUT NOTICE

Vent-A-Hood® WALL MOUNT RANGE HOOD SPECIFICATIONS

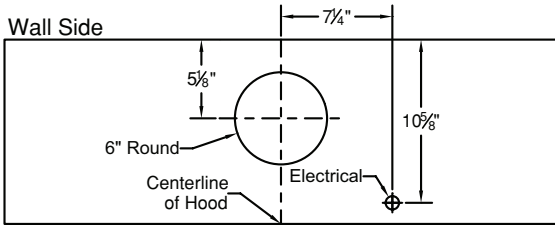
CXH18-M Equipped with halogen lighting. M600 and M1200 blowers are sold separately. Features stainless steel baffle filters.

Available Widths

30", 36", 42", 48",
54", 60", & 66"

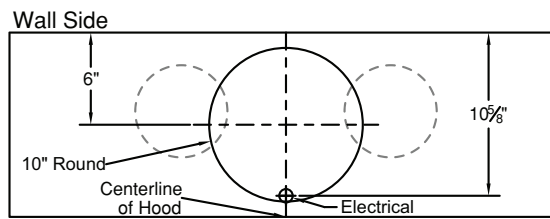


M600 Connection Diagram



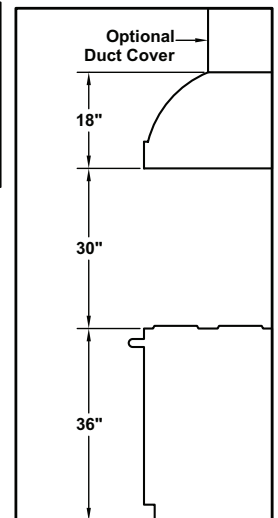
**Single Blower
(Top View)**

M1200 Connection Diagram



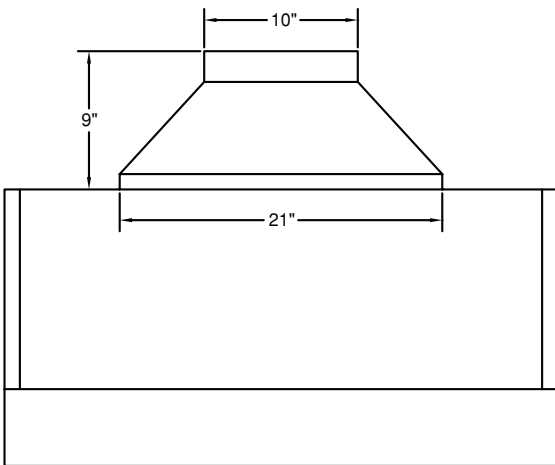
**Dual Blower with VP566 Transition
(Top View, see below for others)**

Recommended Mounting Height*

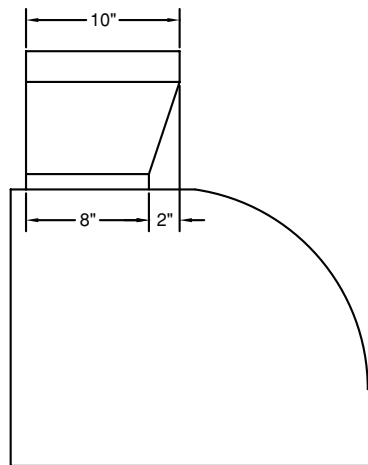


*Recommended mounting height is for optimum performance.

VP566 Transition Details (Included with M1200)



**VP566 Transition
(Front View)**



**VP566 Transition
(Side View)**

SPEED	CFM @ 0.1" S.P.		
	M600	WHM300*	M1200
1	240	240	420
2	300	300	645
3	500	-	865
4	625	-	1015

* The WHM300 is a wiring harness that when used with the M600 blower (sold separately) will disable the blower speeds exceeding 300 CFM.

Electrical/Mechanical Specifications For Blower Units

Model	Volts	Amps*	Hz	CFM SP@0.0"	CFM SP@0.1"	CFM SP@0.25"	CFM SP@0.5"	CFM SP@0.75"	Minimum Round Duct Size
M600 Single	115	5.0	60	630	625	615	600	580	6" (28 in. ²)
M600 w/WHM300 Harness	115	5.0	60	302	300	295	288	278	6" (28 in. ²)
M1200 Dual	115	10.0	60	1035	1015	1000	955	915	10" (79 in. ²)

* Add 0.5 amp for each halogen light. Hoods are available with halogen lights (2 lights: 30" - 41", 3 lights: 42" - 53", 4 lights: 54"-66").

SPECIFICATIONS SUBJECT TO CHANGE WITHOUT NOTICE Rev. 0514A

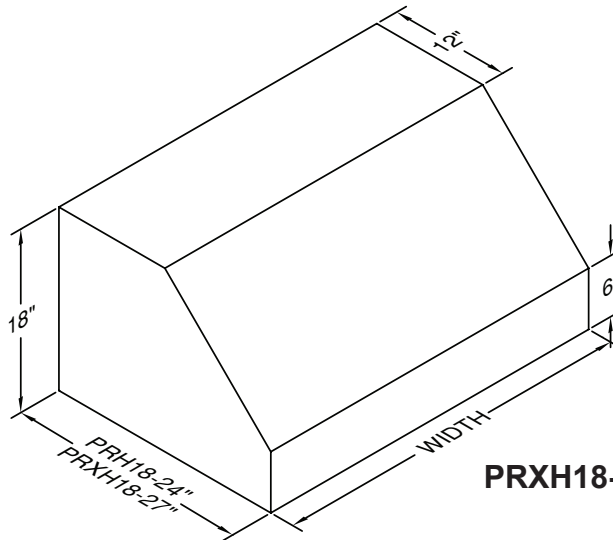


Vent Hood® WALL MOUNT RANGE HOOD SPECIFICATIONS

PRH18-M/PRXH18-M Equipped with halogen lighting. X in part number indicates 27" depth. M600 and M1200 blowers are sold separately. Features stainless steel baffle filters.

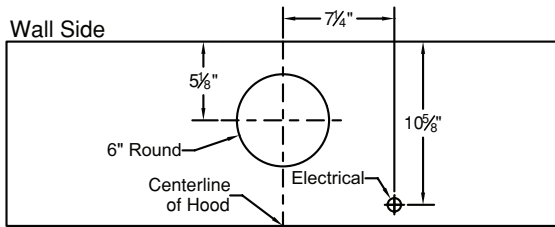
Available Widths

30", 36", 42", 48",
54", 60", & 66"



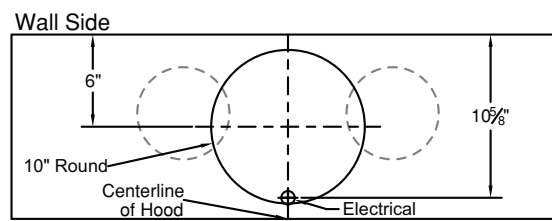
PRXH18-M/PRXH18-M

M600 Connection Diagram



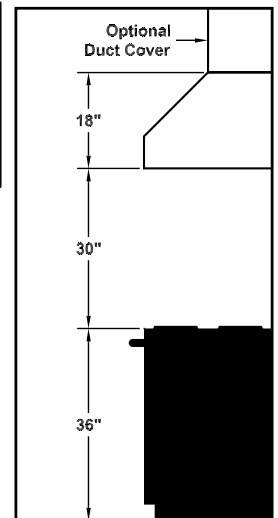
Single Blower
(Top View)

M1200 Connection Diagram



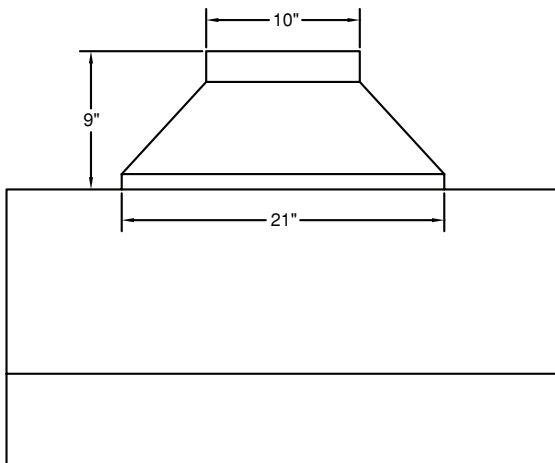
Dual Blower with VP566 Transition
(Top View, see below for others)

Recommended Mounting Height*

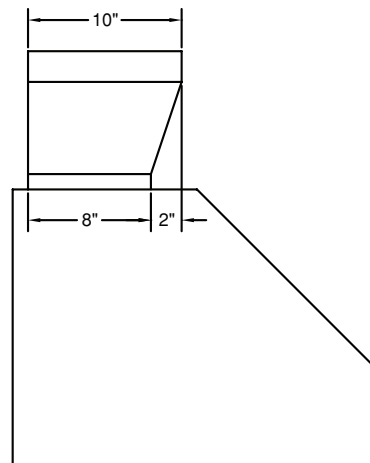


*Recommended mounting height is for optimum performance.

VP566 Transition Details (Included with M1200)



VP566 Transition
(Front View)



VP566 Transition
(Side View)

SPEED	CFM @ 0.1" S.P.		
	M600	WHM300*	M1200
1	240	240	420
2	300	300	645
3	500	-	865
4	625	-	1015

* The WHM300 is a wiring harness that when used with the M600 blower (sold separately) will disable the blower speeds exceeding 300 CFM.

Electrical/Mechanical Specifications For Blower Units

Model	Volts	Amps*	Hz	CFM SP@0.0"	CFM SP@0.1"	CFM SP@0.25"	CFM SP@0.5"	CFM SP@0.75"	Minimum Round Duct Size
M600 Single	115	5.0	60	630	625	615	600	580	6" (28 in. ²)
M600 w/WHM300 Harness	115	5.0	60	302	300	295	288	278	6" (28 in. ²)
M1200 Dual	115	10.0	60	1035	1015	1000	955	915	10" (79 in. ²)

* Add 0.5 amp for each halogen light. Hoods are available with halogen lights (2 lights: 30" - 41", 3 lights: 42" - 53", 4 lights: 54"-66").

SPECIFICATIONS SUBJECT TO CHANGE WITHOUT NOTICE Rev. 0514A

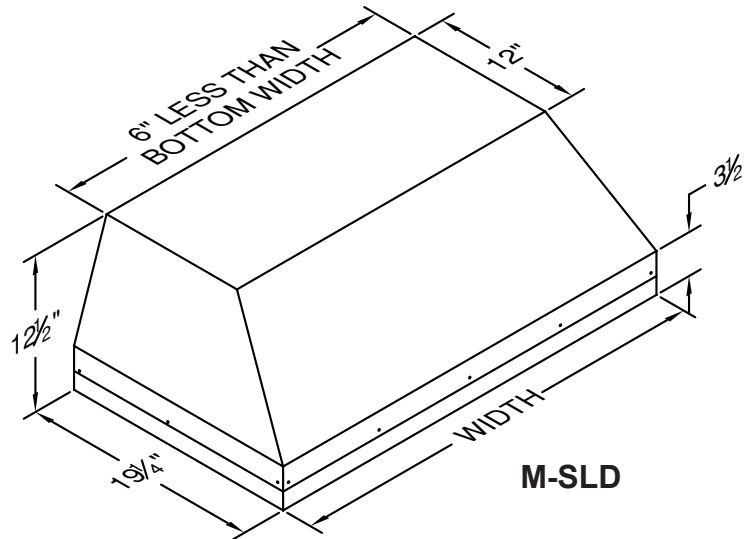


VentA Hood® WALL MOUNT LINER INSERT SPECIFICATIONS

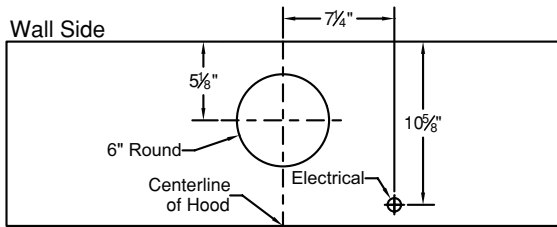
M-SLD LINER Equipped with halogen lighting. M600 and M1200 blowers are sold separately. Features a stainless steel fascia and baffle filters and a gunsmoke powder-coated canopy.

Available Widths

28 3/8", 34 3/8", 40 3/8",
46 3/8", 52 3/8", 58 3/8",
& 64 3/8"

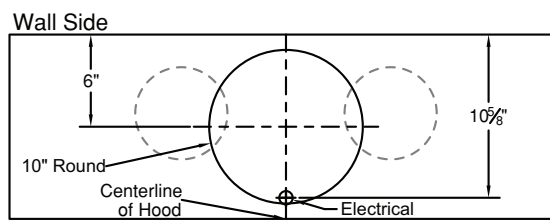


M600 Connection Diagram



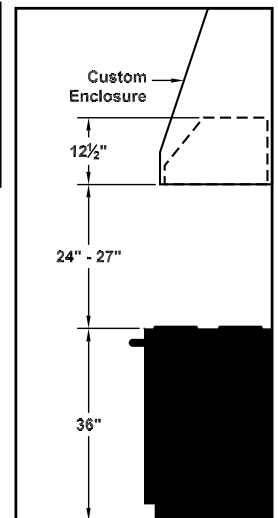
**Single Blower
(Top View)**

M1200 Connection Diagram



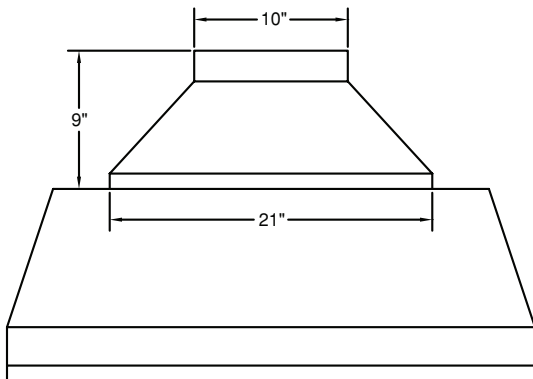
**Dual Blower with VP566 Transition
(Top View, see below for others)**

Recommended Mounting Height*

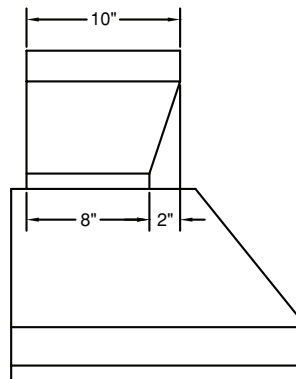


*Recommended mounting height is for optimum performance.

VP566 Transition Details (Included with M1200)



**VP566 Transition
(Front View)**



**VP566 Transition
(Side View)**

SPEED	CFM @ 0.1" S.P.		
	M600	WHM300*	M1200
1	240	240	420
2	300	300	645
3	500	-	865
4	625	-	1015

* The WHM300 is a wiring harness that when used with the M600 blower (sold separately) will disable the blower speeds exceeding 300 CFM.

Electrical/Mechanical Specifications For Blower Units

Model	Volts	Amps*	Hz	CFM SP@0.0"	CFM SP@0.1"	CFM SP@0.25"	CFM SP@0.5"	CFM SP@0.75"	Minimum Round Duct Size
M600 Single	115	5.0	60	630	625	615	600	580	6" (28 in. ²)
M600 w/WHM300 Harness	115	5.0	60	302	300	295	288	278	6" (28 in. ²)
M1200 Dual	115	10.0	60	1035	1015	1000	955	915	10" (79 in. ²)

* Add 0.5 amp for each halogen light. Hoods are available with halogen lights (2 lights: 30" - 41", 3 lights: 42" - 53", 4 lights: 54"-66").

SPECIFICATIONS SUBJECT TO CHANGE WITHOUT NOTICE Rev. 0514A

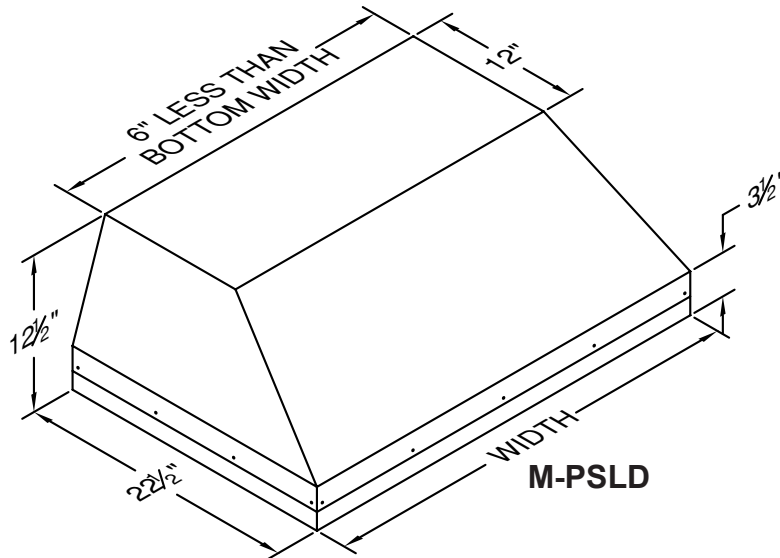


Vent Hood® WALL MOUNT LINER INSERT SPECIFICATIONS

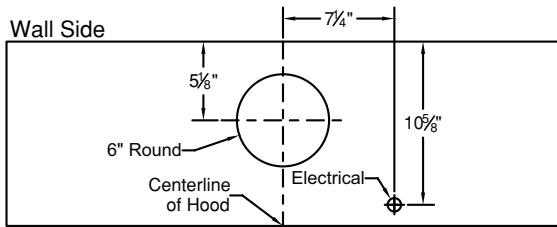
M-PSLD LINER Equipped with halogen lighting. M600 and M1200 blowers are sold separately. Features a stainless steel fascia and baffle filters and a gunsmoke powder-coated canopy.

Available Widths

28 3/8", 34 3/8", 40 3/8",
46 3/8", 52 3/8", 58 3/8",
& 64 3/8"

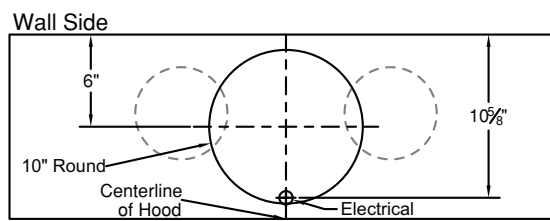


M600 Connection Diagram



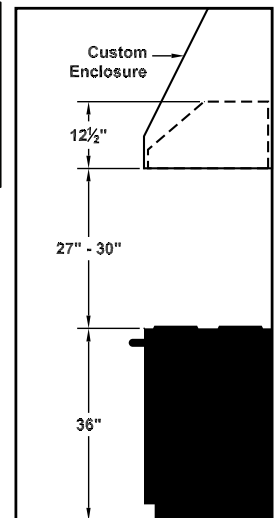
**Single Blower
(Top View)**

M1200 Connection Diagram



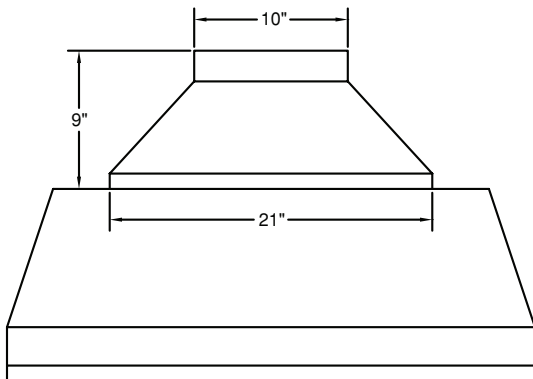
**Dual Blower with VP566 Transition
(Top View, see below for others)**

Recommended Mounting Height*

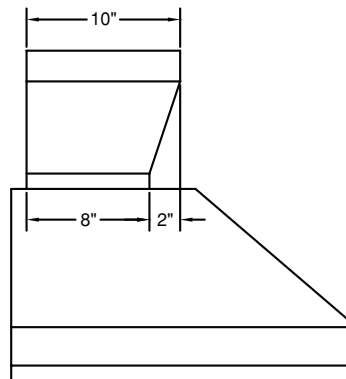


*Recommended mounting height is for optimum performance.

VP566 Transition Details (Included with M1200)



**VP566 Transition
(Front View)**



**VP566 Transition
(Side View)**

SPEED	CFM @ 0.1" S.P.		
	M600	WHM300*	M1200
1	240	240	420
2	300	300	645
3	500	-	865
4	625	-	1015

* The WHM300 is a wiring harness that when used with the M600 blower (sold separately) will disable the blower speeds exceeding 300 CFM.

Electrical/Mechanical Specifications For Blower Units

Model	Volts	Amps*	Hz	CFM SP@0.0"	CFM SP@0.1"	CFM SP@0.25"	CFM SP@0.5"	CFM SP@0.75"	Minimum Round Duct Size
M600 Single	115	5.0	60	630	625	615	600	580	6" (28 in. ²)
M600 w/WHM300 Harness	115	5.0	60	302	300	295	288	278	6" (28 in. ²)
M1200 Dual	115	10.0	60	1035	1015	1000	955	915	10" (79 in. ²)

* Add 0.5 amp for each halogen light. Hoods are available with halogen lights (2 lights: 30" - 41", 3 lights: 42" - 53", 4 lights: 54"-66").

SPECIFICATIONS SUBJECT TO CHANGE WITHOUT NOTICE Rev. 0514A

